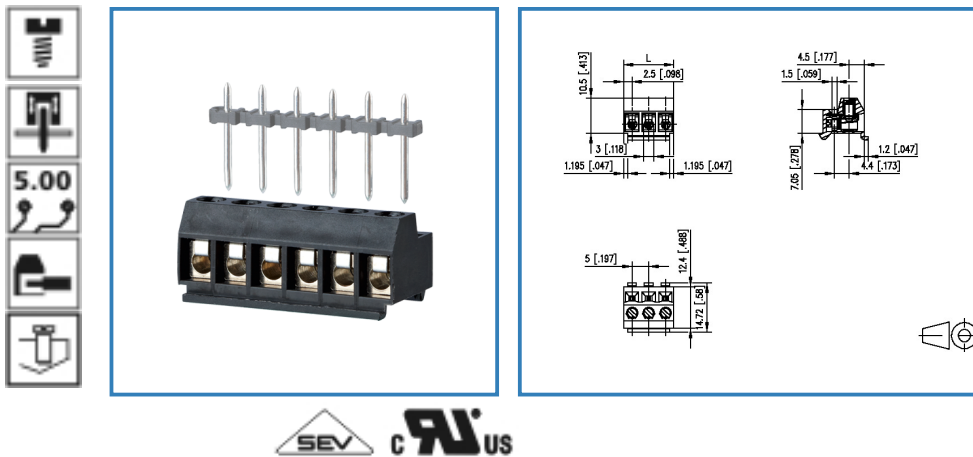


Data Sheet

RP095xxRBWC

Illustration



see enlarged drawing at the end of the document

Product specification

- screw type terminal block, pluggable
- centerline 5.00 mm, direction of connection 90°
- wire protector, fittable without loss of poles
- color black
- pluggable, top side pin insertion, snap-in technique for mounting into a housing

© 2017 METZ CONNECT - Technische Änderungen vorbehalten! Subject to modifications! Sous réserve de modifications techniques!



Data Sheet

RP095xxRBWC

Technical Data

General Data


Tightening torque SEV	0.5 Nm		
Tightening torque UL	4.4 lb-in		
min. number of poles	2		
max. number of poles	24		
Insulating material class	CTI 600		
clearance/creepage dist.	4.15 mm		
protection category	IP 20		
Overvoltage category	III	III	II
Pollution degree	3	2	2
Rated voltage	63.0 V	320.0 V	320.0 V
Rated test voltage	2.5 kV	2.5 kV	2.5 kV

Connection data

Rated wiring solid wire	0.08 - 2.5 mm ² / AWG 28 - 14		
Rated wiring stranded wire	0.08 - 2.5 mm ² / AWG 28 - 14		

Approvals

 V / A / AWG	300 / 5 / 28 - 14		
--	-------------------	--	--

	13.5 A / 250 V / 4 kV / 3 / IEC 61984 / 0.08 - 2.5 mm ²		
--	---	--	--

Material

insulating material	PA66		
flammability class	V0		
contact material	CuSn		
Glow-Wire Flammability GWFI	960		
Glow-Wire Flammability GWIT	775		
contact surface	Sn		
terminal body material	CuZn		
terminal body surface	Ni		
screw surface	Zn Cr(VI)-frei/free		
wire protector material	CuSn		



Data Sheet

RP095xxRBWC

wire protector surface	Sn
screw thread	M3

Climatic properties

upper limit temperature	105 °C
lower limit temperature	-40 °C

General

Tolerance	ISO 2768 -mH
-----------	--------------



Data Sheet

RP095xxRBWC

Page 4/6

P/N

311571xx

xx=number of poles

2017/05/04

Matching Part

P/N	Product name
310461	PR035xxVBHC Typ 046
313171	PM015xxVBHC Typ 317
313181	PM025xxVBHC Typ 318

© 2017 METZ CONNECT - Technische Änderungen vorbehalten! Subject to modifications! Sous réserve de modifications techniques!

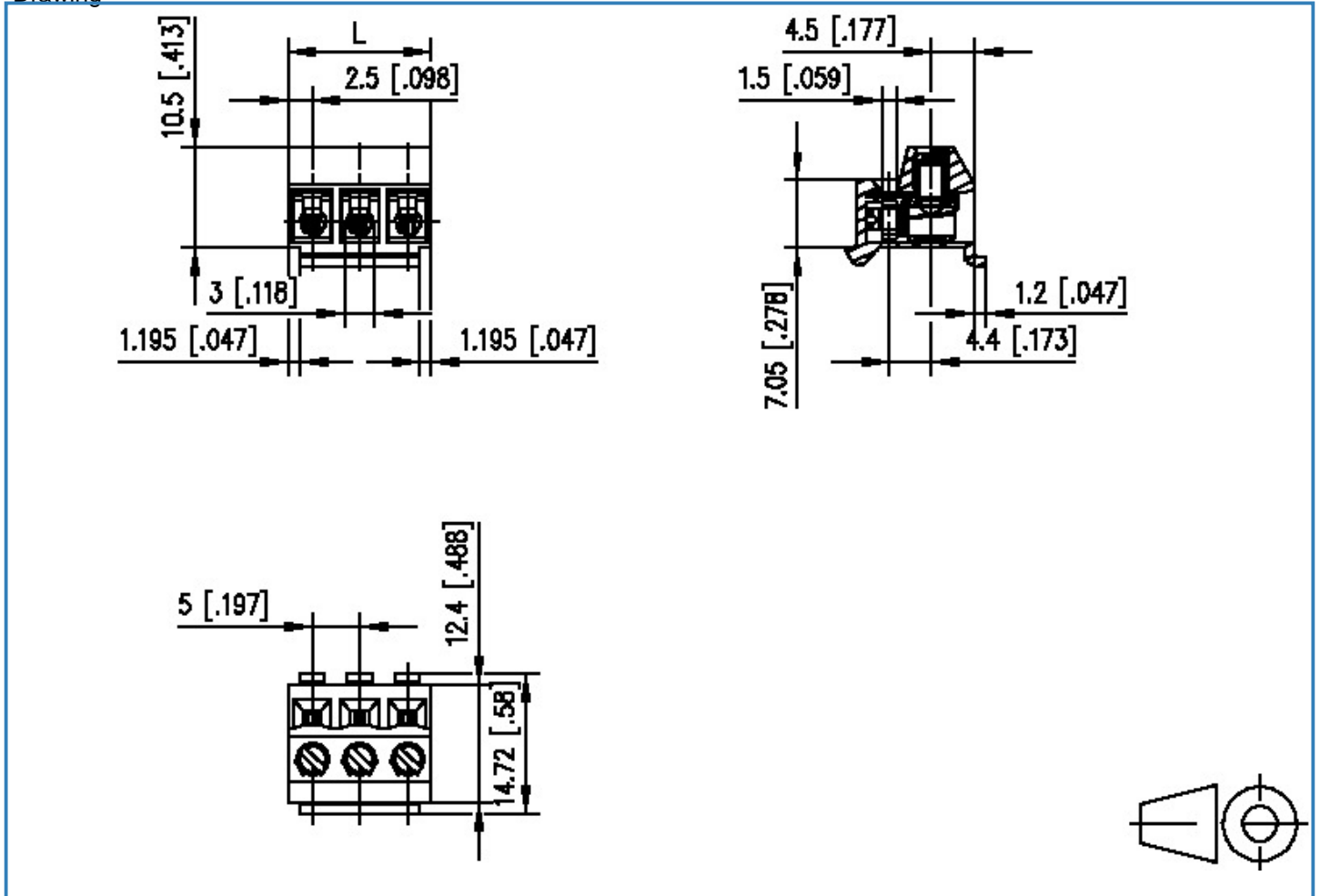


Data Sheet

RP095xxRBWC

Illustration

Drawing



$L = (\text{pole size} - 1) \times \text{centerline} + 5 [0.197]$



Data Sheet

RP095xxRBWC

