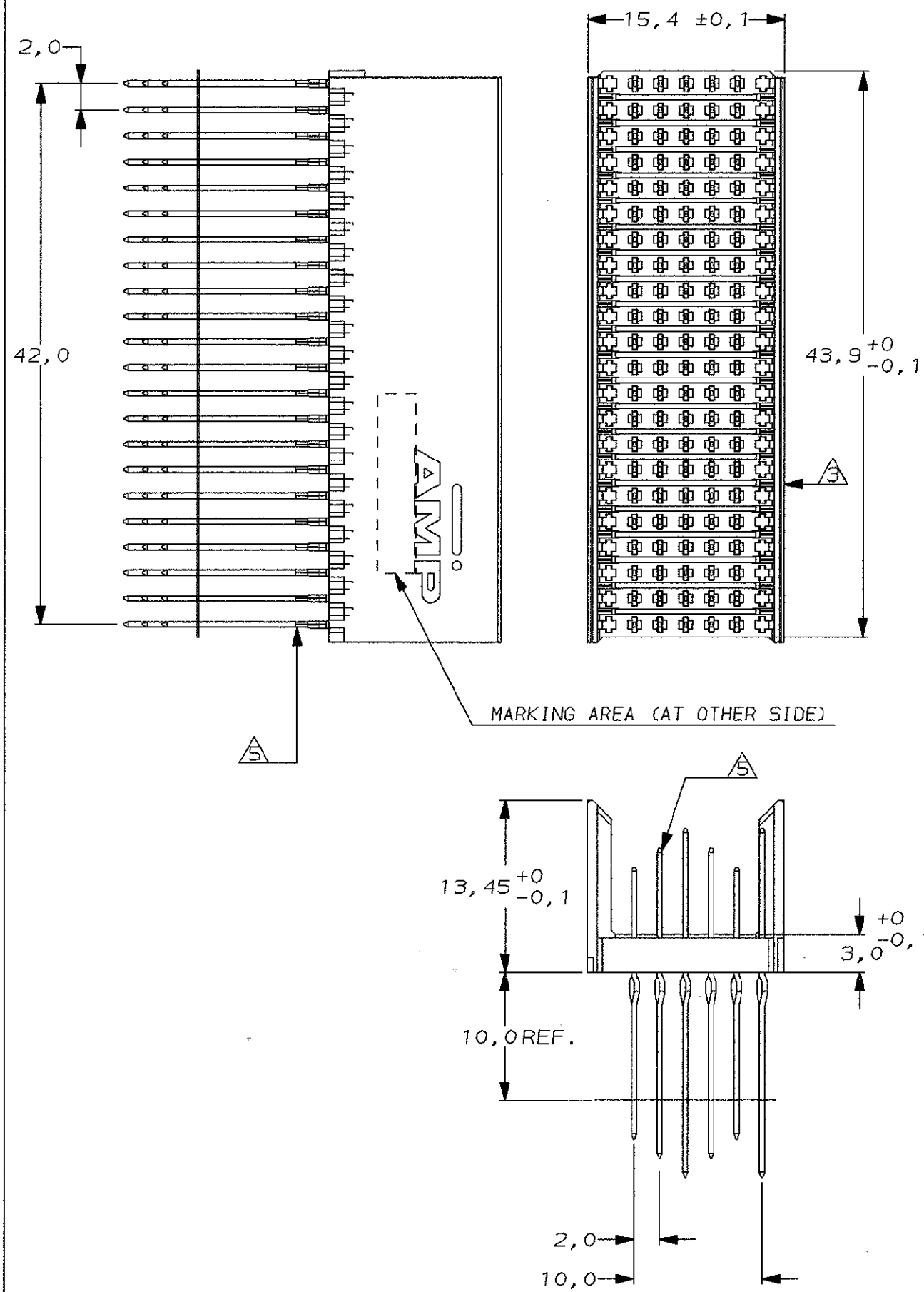
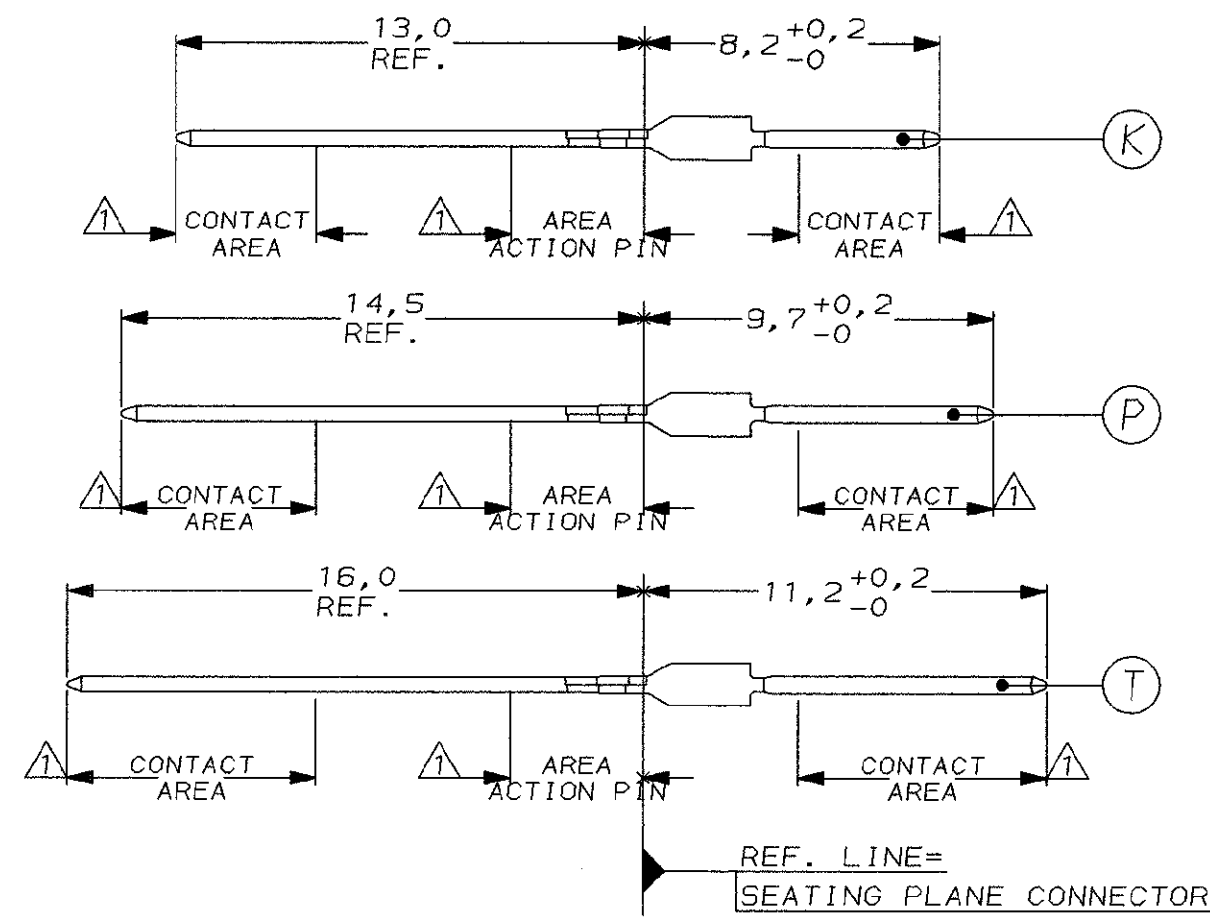


CONNECTOR ASSEMBLY
EXEMPLARY LOADED



CONTACT DIMENSIONS



DO NOT SCALE
DIMENSIONS IN mm

METRIC

THIRD ANGLE
PROJECTION

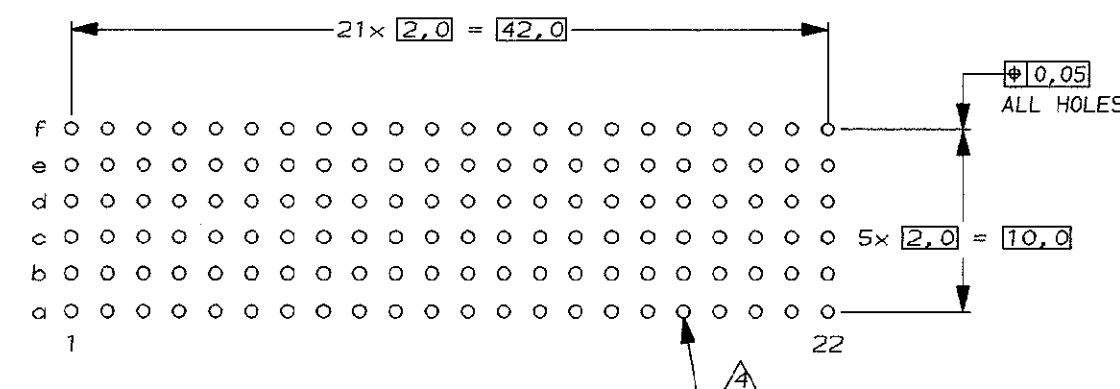
CONTACT LAYOUT

| | z | a | b | c | d | e | f |
|----|---|---|---|---|---|---|---|
| 1 | | K | K | K | K | K | T |
| 2 | | K | K | K | K | K | T |
| 3 | | K | K | K | K | K | T |
| 4 | | K | K | K | K | K | T |
| 5 | | K | K | K | K | K | T |
| 6 | | K | K | K | K | K | T |
| 7 | | K | K | K | K | K | T |
| 8 | | K | K | K | K | K | T |
| 9 | | K | K | K | K | K | T |
| 10 | | K | K | K | K | K | T |
| 11 | | K | K | K | K | K | T |
| 12 | | K | K | K | K | K | T |
| 13 | | K | K | K | K | K | T |
| 14 | | K | K | K | K | K | T |
| 15 | | K | K | K | K | K | T |
| 16 | | K | K | K | K | K | T |
| 17 | | K | K | K | K | K | T |
| 18 | | K | K | K | K | K | T |
| 19 | | P | P | P | P | P | T |
| 20 | | P | P | P | P | P | T |
| 21 | | P | P | P | P | P | T |
| 22 | | P | P | P | P | P | T |

| PART NO. | PLATING TABLE Δ | | | |
|----------|--|---------------------------------------|----------------------------------|---|
| | UNDER-COATING $\mu\text{m Ni MIN.}$ | CONTACT AREA $\mu\text{m Au MIN.}$ | ACTION-PIN AREA μm | - |
| 352360-1 | 1,3 | 0,8 | 0,5-2,5 Sn/Pb | - |
| - | - | - | - | - |
| - | - | - | - | - |
| - | - | - | - | - |

NOTES:

- Δ FOR FINISH TYPES SEE PLATING TABLE.
- Δ MATERIAL CONTACT: PHOSPHORBRONZE.
- MATERIAL HOUSING: GREY GLASSFILLED POLYESTER
- MATERIAL POST ALIGNMENT STRIP: UNFILLED POLYESTER.
- Δ CONNECTOR MARKED WITH PART NUMBER AND DATE CODE.
- Δ PLATED-THROUGH HOLES AT 2x2mm SQUARE GRID, TOTAL 132 HOLES.
- Δ FOR ACTUAL PIN LOADING SEE "CONTACT LAYOUT".



RECOMMENDED PCB-HOLE LAY-OUT
COMPONENT SIDE SHOWN

P.C.B. HOLE DIM. ACTION PIN

DRILLED HOLE: 0,7±0,025mm
FIN. HOLE : 0,55 TO 0,65mm
Cu-thks : 0,025 TO 0,050mm
SnPb-thks : 0,004 TO 0,010mm

| FINISH | | MATERIAL | | PART NUMBER | |
|--|-----------------------|---------------------------|----------|-------------|---|
| - | - | - | - | - | - |
| - | - | - | - | - | - |
| - | - | - | - | - | - |
| - | - | - | - | - | - |
| - | - | - | - | - | 352360-1 |
| CUSTOMER DRAWING FOR REFERENCE ONLY WILL NOT BE UPDATED | | | | | |
| © COPYRIGHT 1999 BY AMP HOLLAND B.V. ALL INTERNATIONAL RIGHTS RESERVED. AMP PRODUCTS MAY BE COVERED BY U.S. AND FOREIGN AND/OR PATENTS PENDING. THIS DRAWING IS UNPUBLISHED RELEASED FOR PUBLICATION | | | | | |
| B | EH-0342-00 | HHO | LvdR | 10-MAR-00 | AMP HOLLAND B.V. 's-Hertogenbosch, The Netherlands. |
| A | EH-0458-99 | LvdH | LvdR | 08-MAR-99 | |
| O | - | LvdH | WvdH | 27-FEB-98 | NAME Z-PACK 2mm HM TYPE B 132 POS. MALE |
| CONNECTOR ASSEMBLY 22 COLUMNS | | | | | |
| LTR. | REVISION RECORD | DR. | CHK. | DATE | REV. LTR. SHEET |
| DR. : L.V.D. HEIJDEN | CHK. : L.V.D. HEIJDEN | APP. : F.V. KONINGSBRUGGE | DWG. No. | REV. LTR. | SHEET |
| DATE: 27-FEB-98 | DATE: 27-FEB-98 | DATE: - | C-352360 | B | 1 OF 1 |