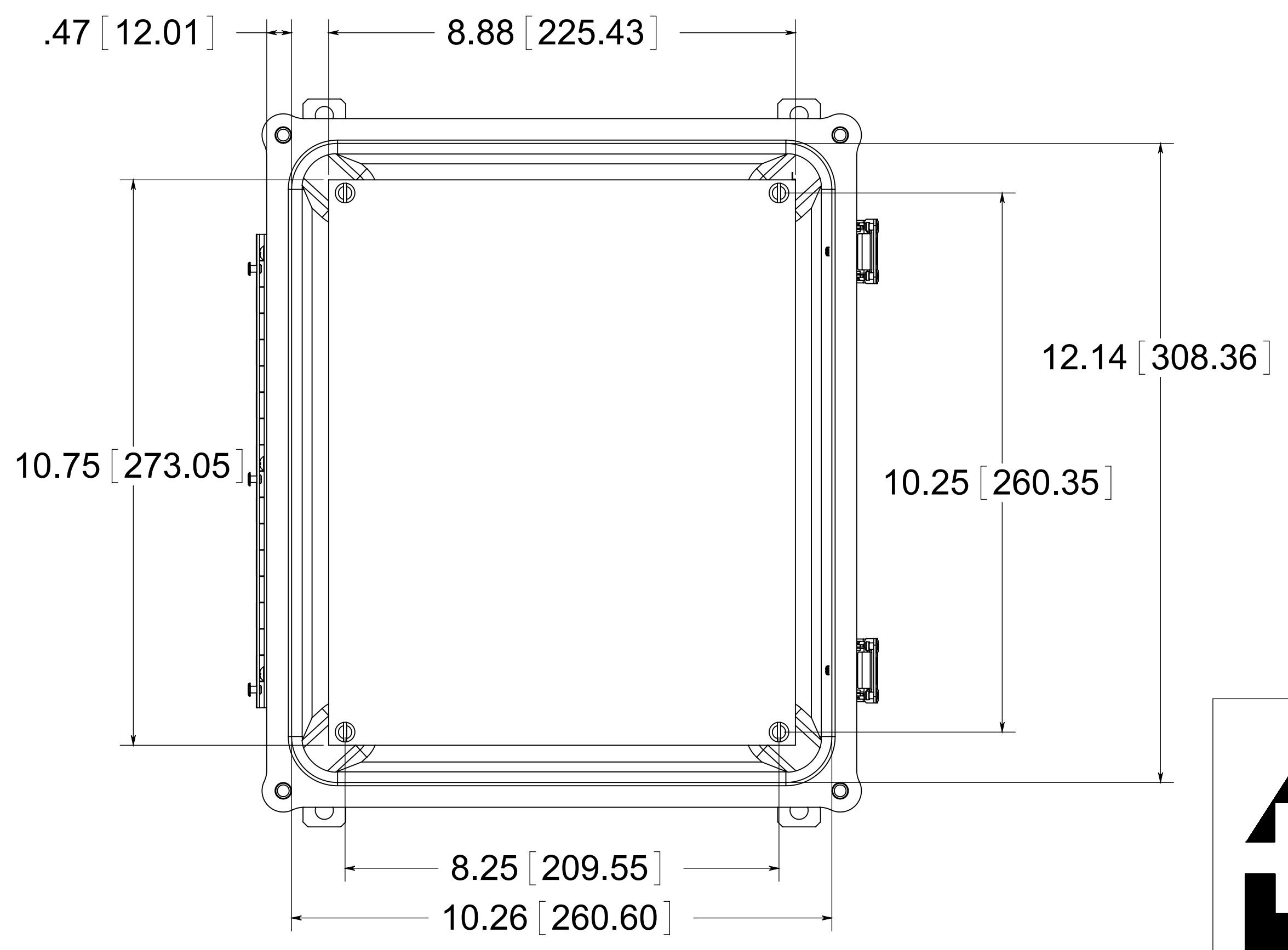
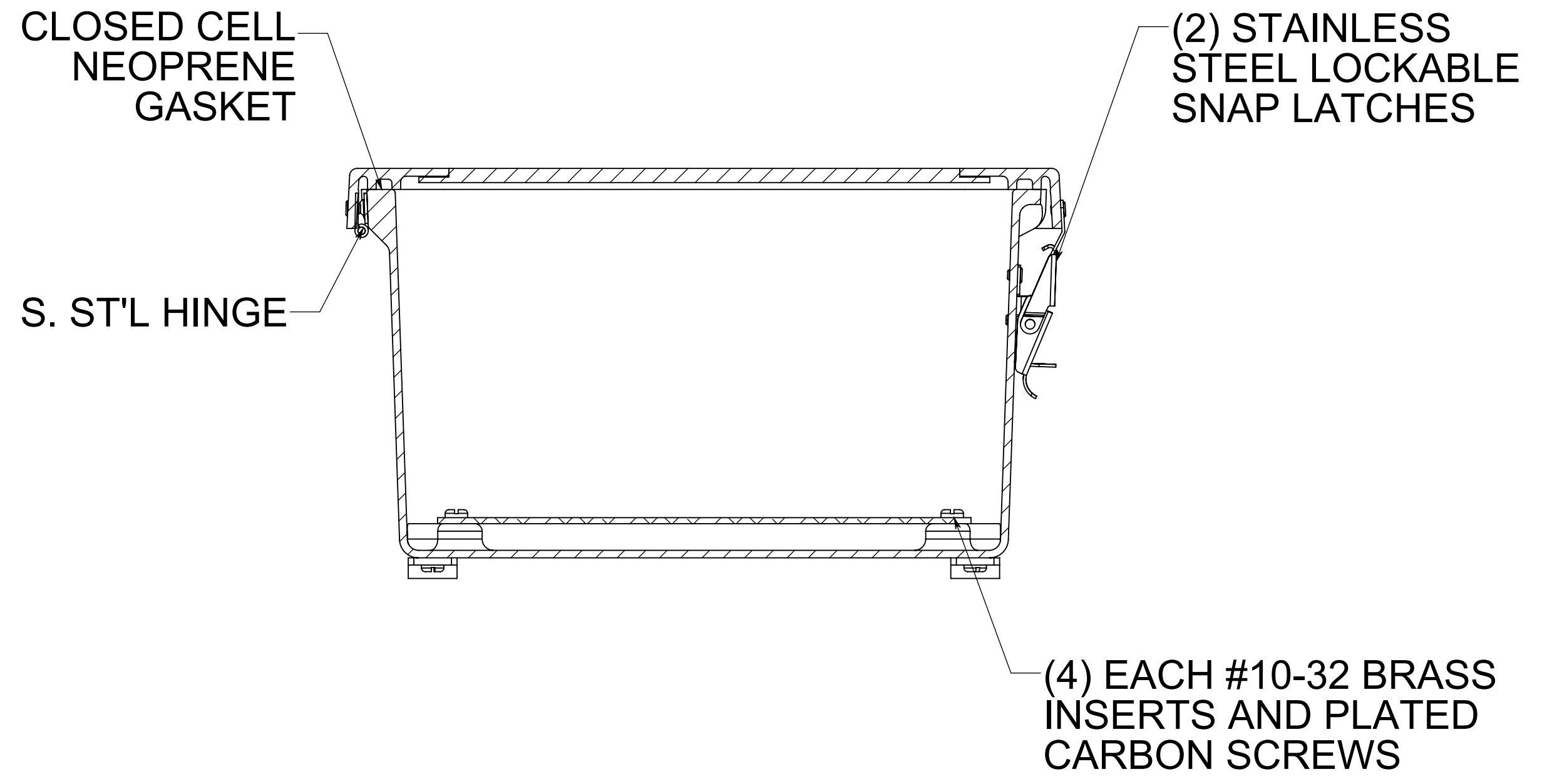


FRONT VIEW WITH COVER REMOVED AND BACK PANEL SHOWN

BACK VIEW



**MATERIAL**  
BOX- COMPRESSION MOLDED FIBERGLASS REINFORCED POLYESTER  
COVER- COMPRESSION MOLDED FIBERGLASS REINFORCED POLYESTER  
WINDOWS- POLYCARBONATE

**PART No. PJ12106LW**  
for more information visit [www.hammfg.com](http://www.hammfg.com)  
Data subject to change without notice  
Drawing Not to Scale