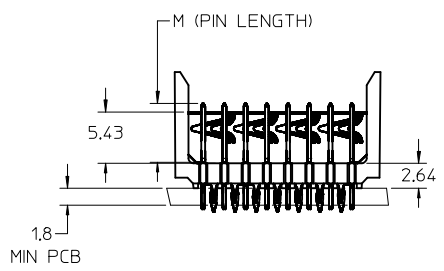
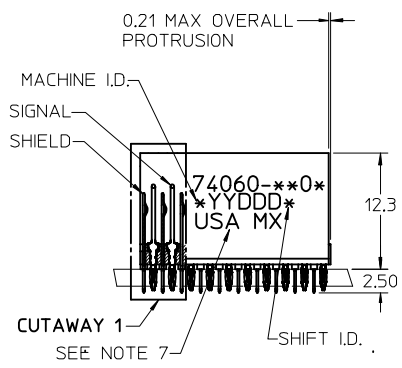


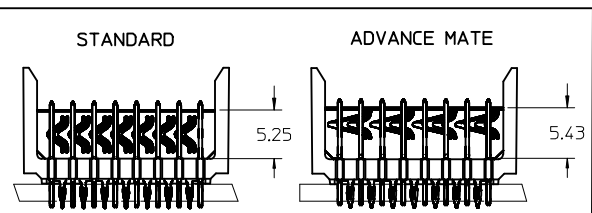
Ø0.66 DRILL
 Ø0.56 ±0.05 PTH
 Ø1.00 PAD
 Ⓢ Ø0.10

**BACKPLANE HOLE PATTERN
RECOMMENDED DIMENSION**



NOTES:

1. MATERIAL, -LIQUID CRYSTAL POLYMER (LCP) GLASS-FILLED, UL 94 V-0. COLOR BLACK. SIGNAL & SHIELD -COPPER ALLOY.
2. FINISHES:
CONTACT AREA: SELECTIVE GOLD (Au)
PCB TAILS: SELECTIVE MATTE TIN (Sn)
NICKEL (Ni) OVERALL.
3. THIS PART CONFORMS TO MOLEX PRODUCT SPECIFICATION PS-74031-999.
4. FOR MIXED CONTACT MATING LENGTHS CONSULT MOLEX FOR AVAILABILITY.
5. FOR SPECIFIC PART NUMBER AND MATING INFORMATION REFER TO SHEET 2.
6. PACKAGE PER PK-74060-003.
7. EITHER MARK PART NUMBER AND DATE CODE APPROXIMATELY WHERE SHOWN OR PLACE LABEL ON THE TUBE.
8. MAPS (MOLEX ADVANCED PLATING SYSTEM).



UPDATE TABLE EC NO: UCP2014-3396 DRWNSVANG01 2014/02/14 CHKD:MOLEF 2014/02/14 APPR:SMILLER 2014/02/25	QUALITY SYMBOLS ∇=0 ∇=0 ∇=0	GENERAL TOLERANCES (UNLESS SPECIFIED)		DIMENSION STYLE MM ONLY	SCALE 2.5:1	DESIGN UNITS METRIC	THIRD ANGLE PROJECTION		
		4 PLACES ± --- ± --- 3 PLACES ± --- ± --- 2 PLACES ± 0.25 ± --- 1 PLACE ± 0.38 ± --- 0 PLACE ± ±	mm INCH	DRAWN BY MQWANG	DATE 2001/10/09	TITLE VHDM SALES ASSEMBLY 8 ROW ADVANCE MATE OPEN END BACKPLANE			
		ANGULAR ±1/2°		CHECKED BY NMARTIN	DATE 2001/10/10	molex			
		DRAFT WHERE APPLICABLE MUST REMAIN WITHIN DIMENSIONS		APPROVED BY CBIXLER	DATE 2001/10/12	MATERIAL NO. SEE SHEET 2	DOCUMENT NO. SD-74060-003	SHEET NO. 1 OF 2	

MATERIAL NUMBER ASSIGNMENT

74060-**0*

NUMBER OF COLUMNS/PLATING

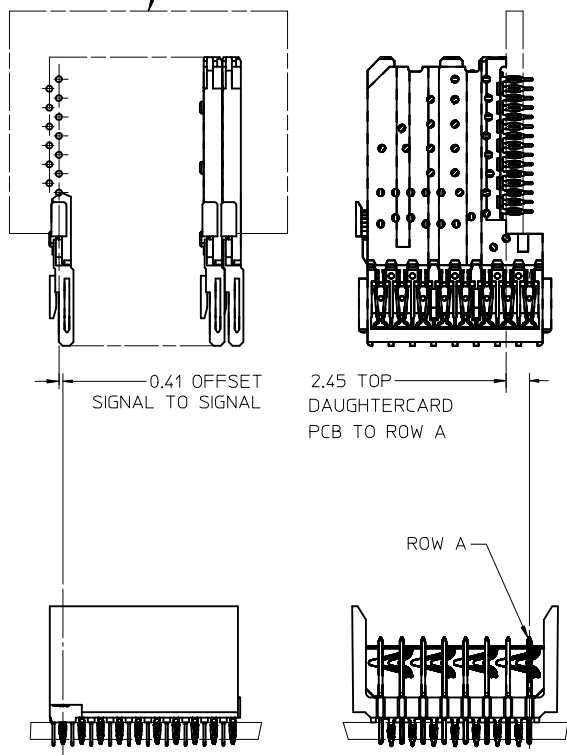
- 11 = 10 COLUMN MATTE TIN (FORMERLY TIN/LEAD)
- 26 = 25 COLUMN MATTE TIN (FORMERLY TIN/LEAD)
- 61 = 10 COLUMN MATTE TIN (MAPS)
- 76 = 25 COLUMN MATTE TIN (MAPS)
- 91 = 10 COLUMN MATTE TIN
- 86 = 25 COLUMN MATTE TIN

PIN HEIGHT / PLATING

- 1-4 = 0.25 or 0.76 GOLD
- 6-9 = 1.27 GOLD

- 1 & 6 = 4.75
- 2 & 7 = 6.25
- 3 & 8 = 4.25
- 4 & 9 = 5.15

DAUGHTERCARD
CONNECTOR SIDE



PART NUMBER	COLUMN	NUMBER OF SIGNAL PIN	NUMBER OF SHIELD	A	B	M	GOLD THICKNESS MICROMETER	TIN THICKNESS MICROMETER
74060-6101	10	80	10	20.00	18.00	4.75	0.25 MAPS	0.76-1.52
74060-*101							0.76	
74060-*106							1.27	
74060-7601	25	200	25	50.00	48.00	4.75	0.25 MAPS	
74060-*601							0.76	
74060-*606							1.27	
74060-6102	10	80	10	20.00	18.00	6.25	0.25 MAPS	
74060-*102							0.76	
74060-*107							1.27	
74060-7602	25	200	25	50.00	48.00	6.25	0.25 MAPS	
74060-*602							0.76	
74060-*607							1.27	
74060-6103	10	80	10	20.00	18.00	4.25	0.25 MAPS	
74060-*103							0.76	
74060-*108							1.27	
74060-7603	25	200	25	50.00	48.00	4.25	0.25 MAPS	
74060-*603							0.76	
74060-*608							1.27	
74060-6104	10	80	10	20.00	18.00	5.15	0.25 MAPS	
74060-*104							0.76	
74060-*109							1.27	
74060-7604	25	200	25	50.00	48.00	5.15	0.25 MAPS	
74060-*604							0.76	
74060-*609							1.27	

SEE SHEET 1 EC NO: UCP2014-3396 DRWNS:VANG01 2014/02/14 CHKD:MMOLEF 2014/02/14 APPR:SWILLER 2014/02/25	QUALITY SYMBOLS 	GENERAL TOLERANCES (UNLESS SPECIFIED)		DIMENSION STYLE MM ONLY	SCALE 2.5:1	DESIGN UNITS METRIC	THIRD ANGLE PROJECTION		
		4 PLACES ± 0.25 3 PLACES ± 0.38 2 PLACES ± 0.50 1 PLACE ± 0.76 0 PLACE ± 1.27	mm INCH ± 0.25 ± 0.010 ± 0.38 ± 0.015 ± 0.50 ± 0.020 ± 0.76 ± 0.030 ± 1.27 ± 0.050	DRAWN BY MQWANG	DATE 2001/10/09	TITLE VHDMA SALES ASSEMBLY 8 ROW ADVANCE MATE OPEN END BACKPLANE			
		ANGULAR ±1/2°		CHECKED BY NMARTIN	DATE 2001/10/10				
		DRAFT WHERE APPLICABLE MUST REMAIN WITHIN DIMENSIONS		APPROVED BY CBI XLER	DATE 2001/10/12				
MATERIAL NO. SEE TABLE		DOCUMENT NO. SD-74060-003		SHEET NO. 2 OF 2					

THIS DRAWING CONTAINS INFORMATION THAT IS PROPRIETARY TO MOLEX INCORPORATED AND SHOULD NOT BE USED WITHOUT WRITTEN PERMISSION