

# Multi-Channel Surveillance Camera Controller with VGA/HDTV Display Capability

## TW2880

### Summary

#### Display Controller Features List

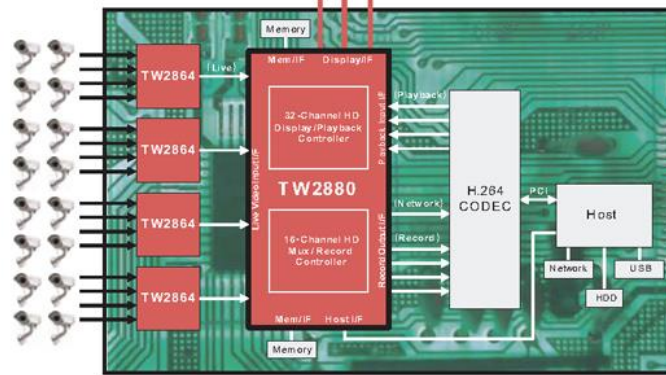
- Supports 1080p HDTV and VGA Display
  - Horizontal size: 640 ~ 1920, Vertical size: 480 ~ 1080
  - Max pixel clock: 174 MHz (if MCLK > 166 MHz)
  - Vertical Refresh frequency: Flexible, can be programmed as 50, 56 or 60 Hz
  - Flexible output interface, Analog VGA (HD15), Digital VGA (DVI) and HDMI (V1.2)
  - Capable of displaying up to 33 Channels in one screen, live video or playback combined.
  - 2 HD channels through playback interface and in BT.1120 format.
  - Motion Box (MD) on all display channels.
  - User selectable Weave/2D/3D de-interlacing method for video quality enhancement
  - Up / down scaler for arbitrate windows size
  - Three layers of OSG overlay with High-color (16 bit) bit map
  - OSD display layer for title and channel ID
  - Single Box Display for highlighting and Mouse / Cursor Overlay
- Video Input from Decoder Interface
  - Support 27 MHz BT.656 input
  - Support 54,108 MHz BT.656 byte-interleaved input
  - Motion Box (MD) on all display channels.
  - D1/Half D1/CIF selection
- System clock at 108MHz, Memory clock 166 - 180 MHz
- I<sup>2</sup>C and 108 MHz parallel MCU host interface

#### Recording Controller Features List

- High flexibility record output function
  - Real time field interleaved, frame interleaved output
  - Priority recording
  - Multi-mode output controlled by user
- High flexibility Spot output function
  - Four individual output
  - Full/Half/CIF display with OSD
  - Automatic switching
- Random sequence recording(Table recording) function
- Motion Detector & Channel ID Encoding / Decoding
- Embedded font-RAM for color OSD
- Split border and background color setting

# TW2880

HD 1080p Main Display  
(Live/Playback Video + Map + Control Panel)



Advanced 16 - Channel DVR System

All Intersil U.S. products are manufactured, assembled and tested utilizing ISO9001 quality systems.

Intersil Corporation's quality certifications can be viewed at [www.intersil.com/design/quality](http://www.intersil.com/design/quality).

Intersil products are sold by description only. Intersil Corporation reserves the right to make changes in circuit design, software and/or specifications at any time without notice. Accordingly, the reader is cautioned to verify that data sheets are current before placing orders. Information furnished by Intersil is believed to be accurate and reliable. However, no responsibility is assumed by Intersil or its subsidiaries for its use; nor for any infringements of patents or other rights of third parties which may result from its use. No license is granted by implication or otherwise under any patent or patent rights of Intersil or its subsidiaries.

For information regarding Intersil Corporation and its products, see [www.intersil.com](http://www.intersil.com)