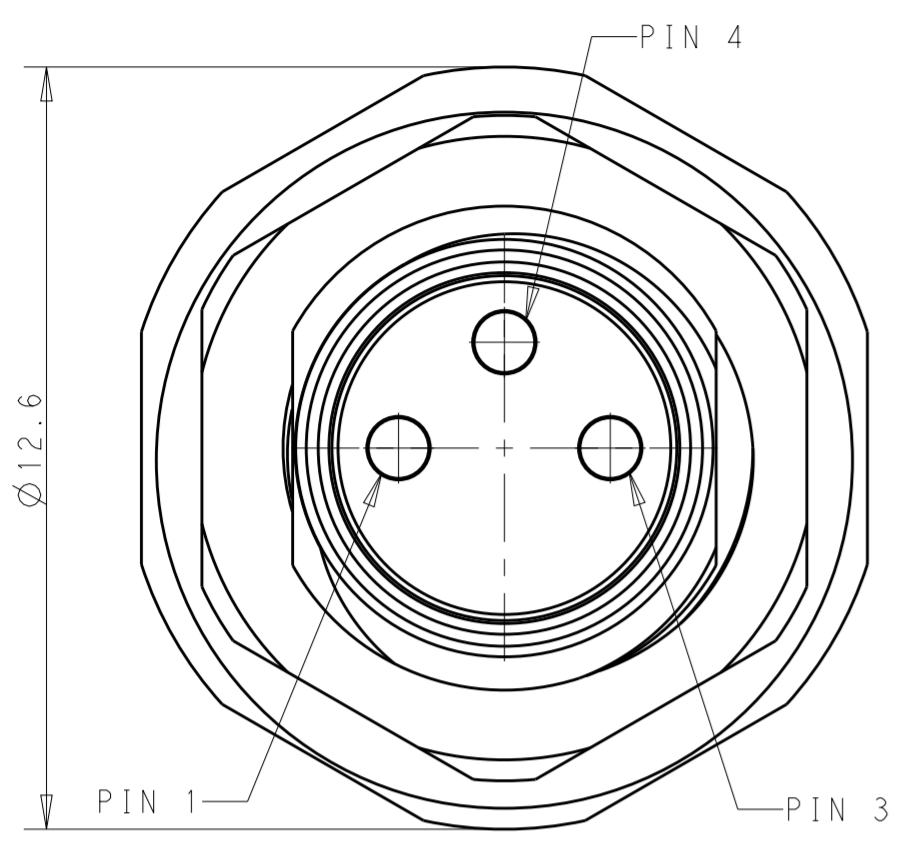
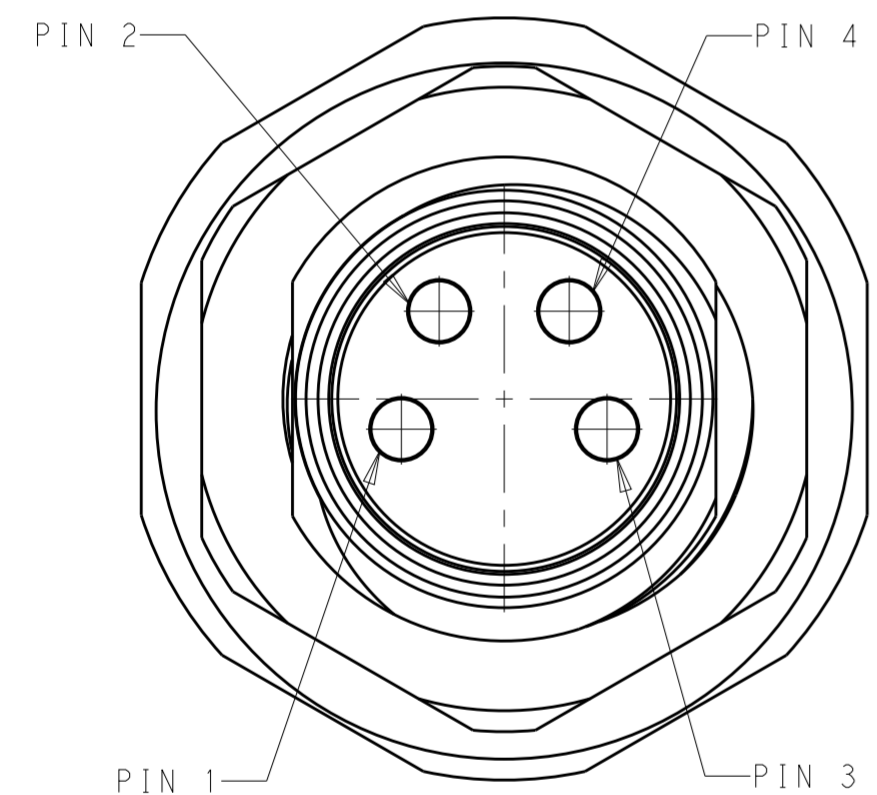


THIS DRAWING IS UNPUBLISHED. RELEASED FOR PUBLICATION 20
 © COPYRIGHT 20 BY - ALL RIGHTS RESERVED.

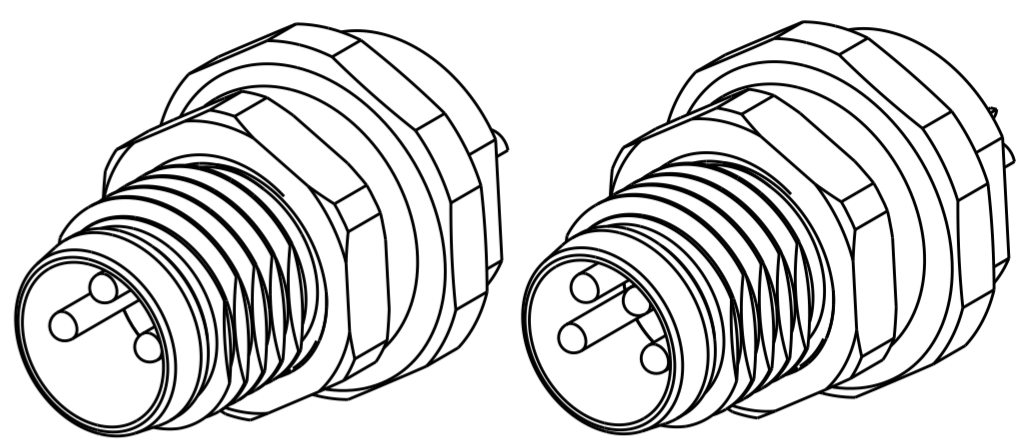
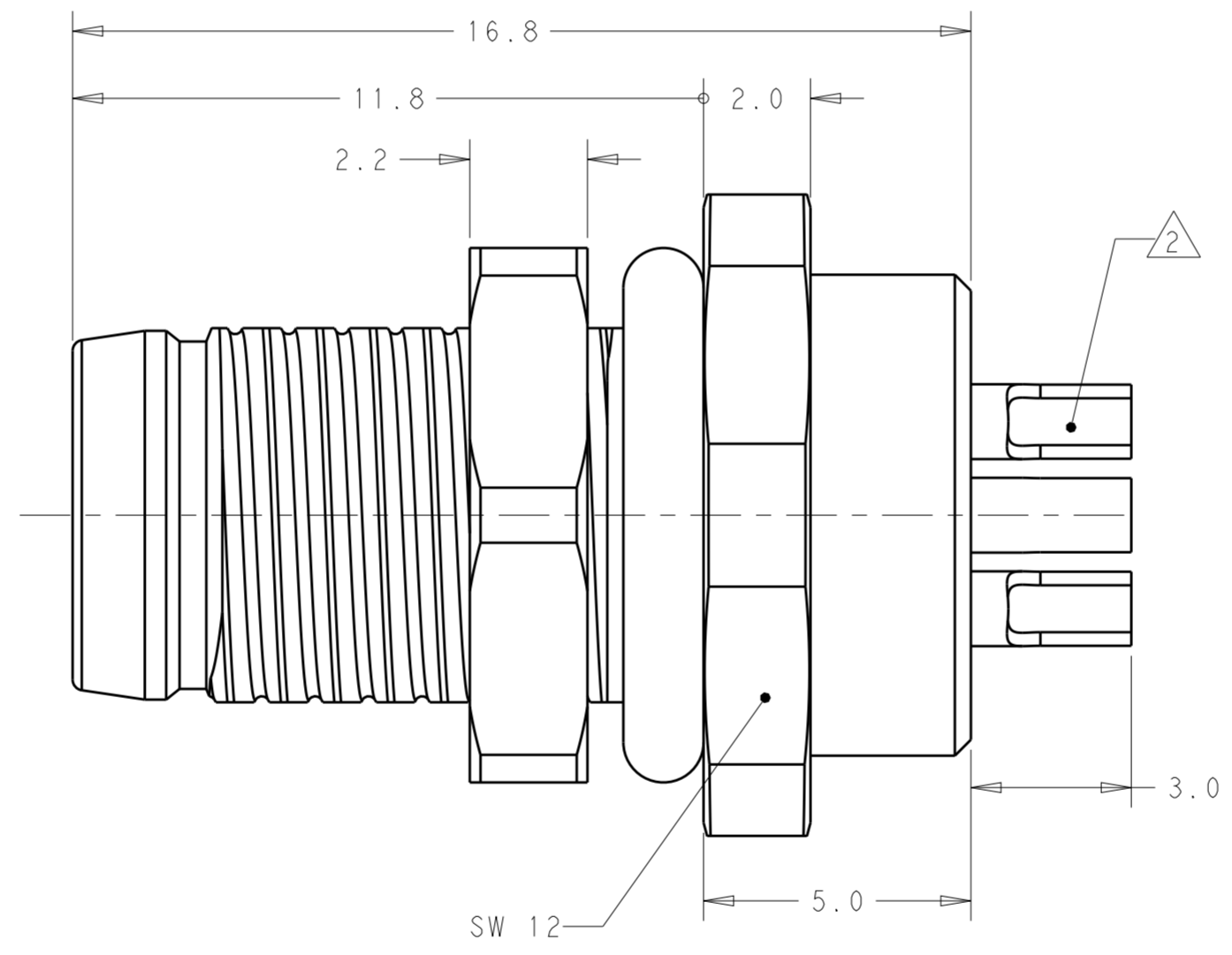
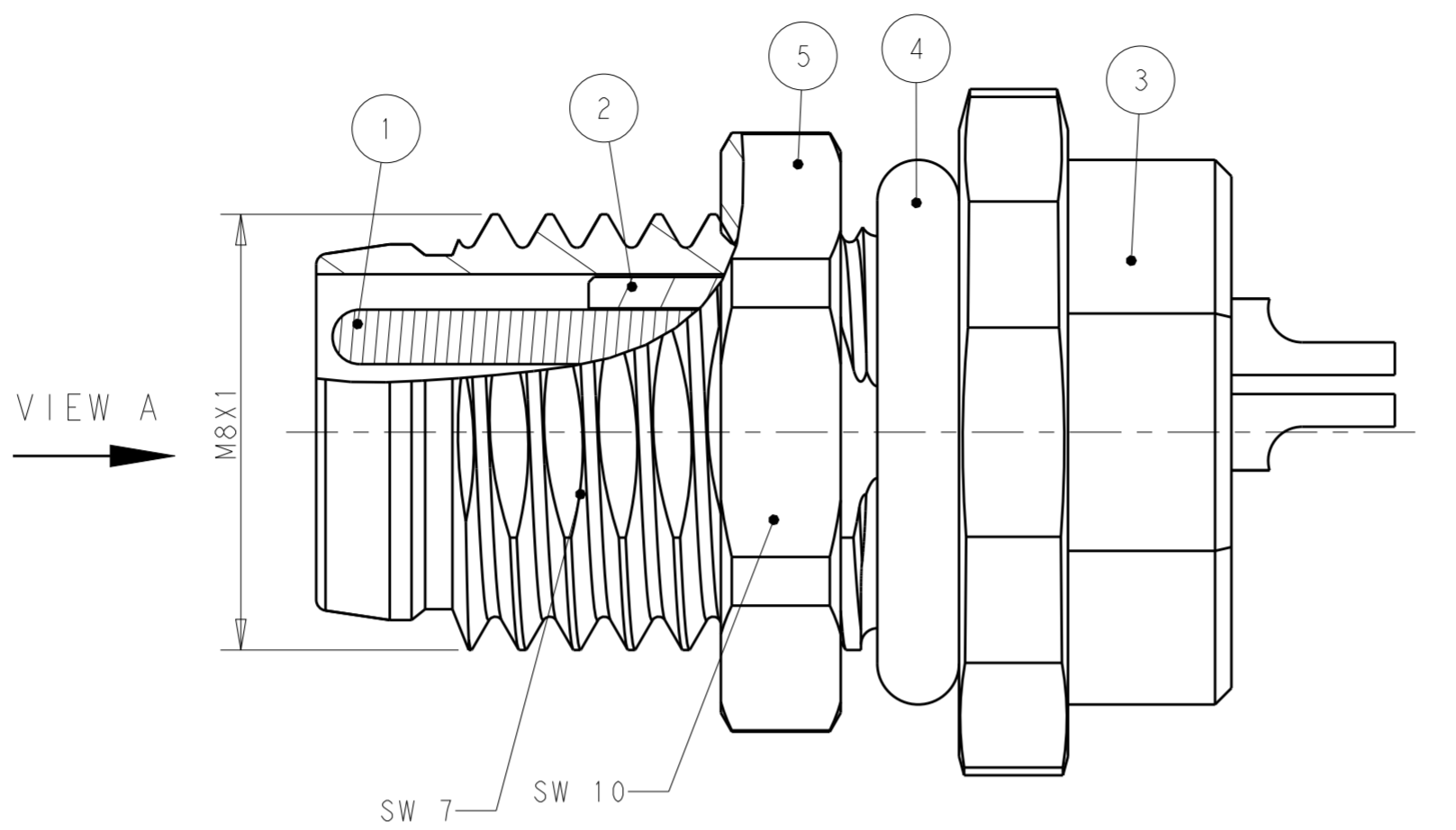
REVISIONS				
P	LTR	DESCRIPTION	DATE	APVD
A		INITIAL RELEASE	19DEC2016	N.P. X.X



VIEW A
3POS.



VIEW A
4POS.



NOTES:

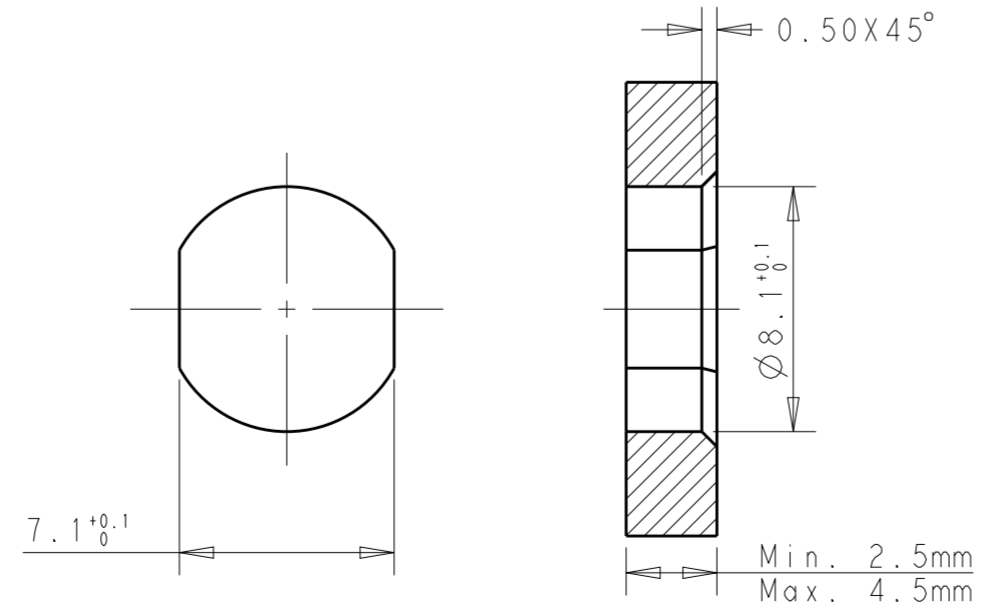
1. TECHNICAL DATA: SEE TABLE 1
2. CONTACT SOLIDER CUP;
3. THE WIRE COLOR FOR SOLIDERING: PIN 1 BROWN; PIN 2 WHITE; PIN 3 BLUE; PIN 4 BLACK;
4. ALL PRODUCT MUST COMPLIANCE WITH ROHS AND REACH.

注意事项

1. 技术参数：见表1
2. 端子焊杯；
3. 焊接线的颜色：PIN 1棕色，PIN 2白色，PIN 3蓝色，PIN 4黑色；
4. 产品必须符合ROHS与REACH.

TABLE 1

TECHNICAL DATA	T4030014031-000	T4030014041-000
RATED PULSE VOLTAGE	1500V	800V
RATED VOLTAGE	60V	30V
RATED CURRENT	3A	
OVERVOLTAGE CATEGORY	II	
MATERIAL GROUP	II	
DEGREE OF PROTECTION	IP67	
TEMPERATURE	-40°C~85°C	



RECOMMENDED
PANEL SIZE

MATERIAL	DESCRIPTON	ITEM
COPPER ALLOY	NUT	5
RUBBER	O-RING	4
COPPER ALLOY	BODY NUT	3
PA66	HOUSING	2
COPPER ALLOY	CONTACT	1

TYPE	POS.	PART NUMBER
RPC-M8-MF-4CON-M8-LAU	4	T4030014041-000
RPC-M8-MF-3CON-M8-LAU	3	T4030014031-000

THIS DRAWING IS A CONTROLLED DOCUMENT.		DWN Nick Pan 26SEP2016
DIMENSIONS: mm		CHK Kobby Zhao 26SEP2016
TOLERANCES UNLESS OTHERWISE SPECIFIED:		APVD Xiang Xu 26SEP2016
0 PLC	±	PRODUCT SPEC
1 PLC	±0.25	108-106140
2 PLC	±0.15	APPLICATION SPEC
3 PLC	±	114-137144-1
4 PLC	±	WEIGHT
ANGLES	±	CUSTOMER DRAWING
FINISH	-	SCALE 1:1 SHEET 1 OF 1 REV A

STE TE Connectivity

NAME: M8 PANEL CONNECTOR MALE SIDE, SOLDERING, TYPE, REAR MOUNTING

SIZE: A2 CAGE CODE: - DRAWING NO: T40300140X1000 RESTRICTED TO: -