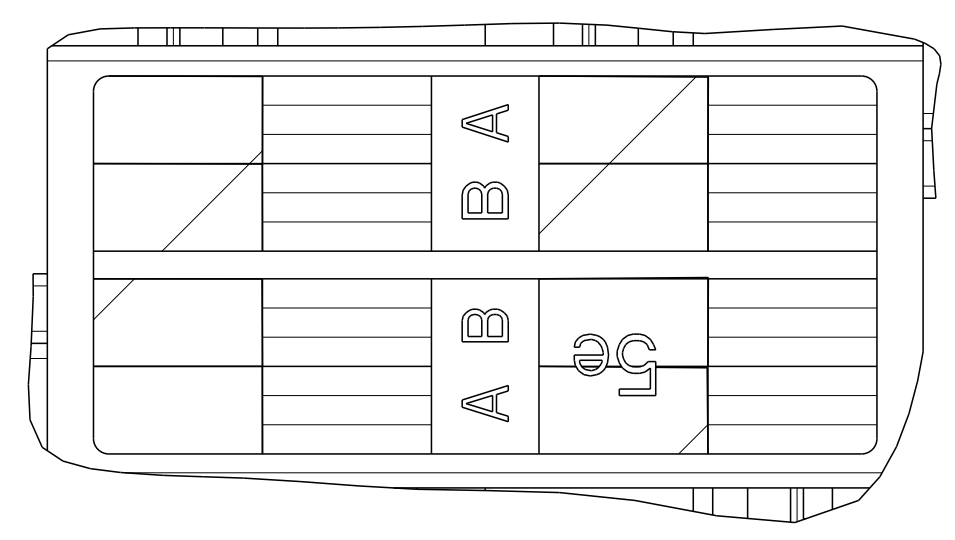
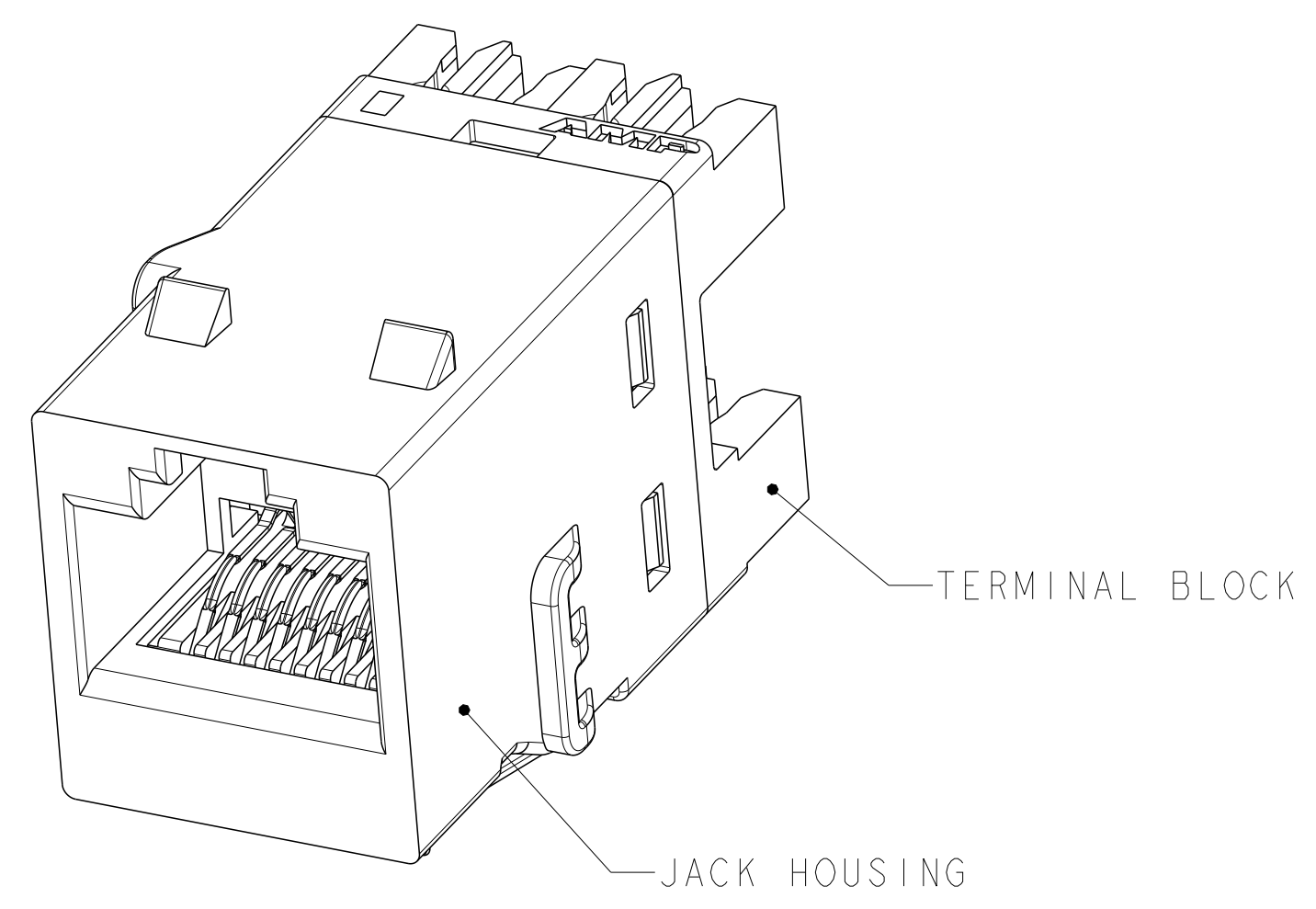
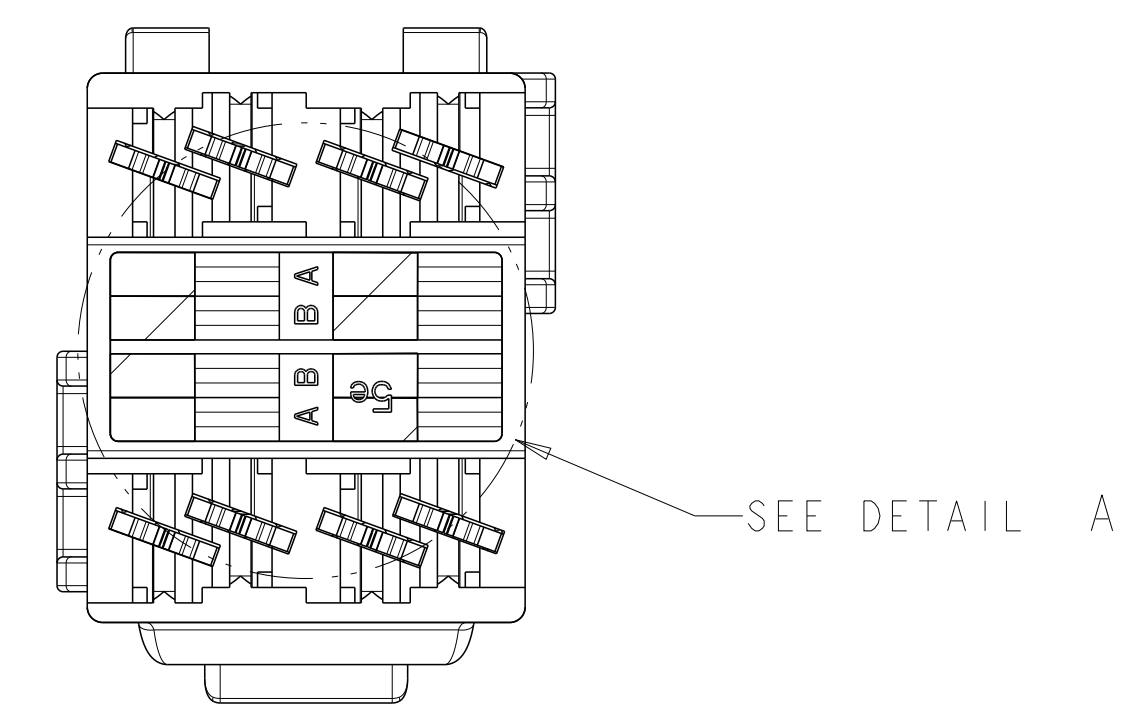
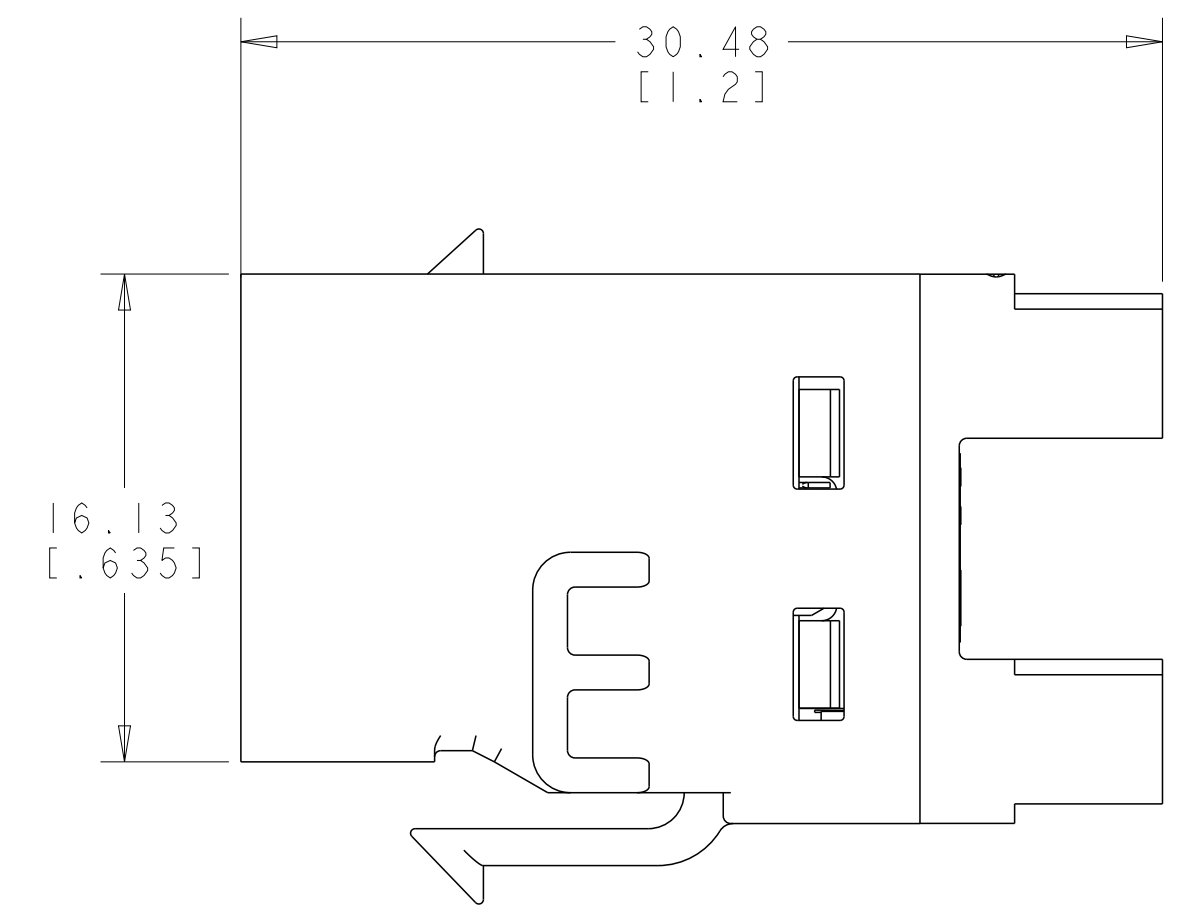
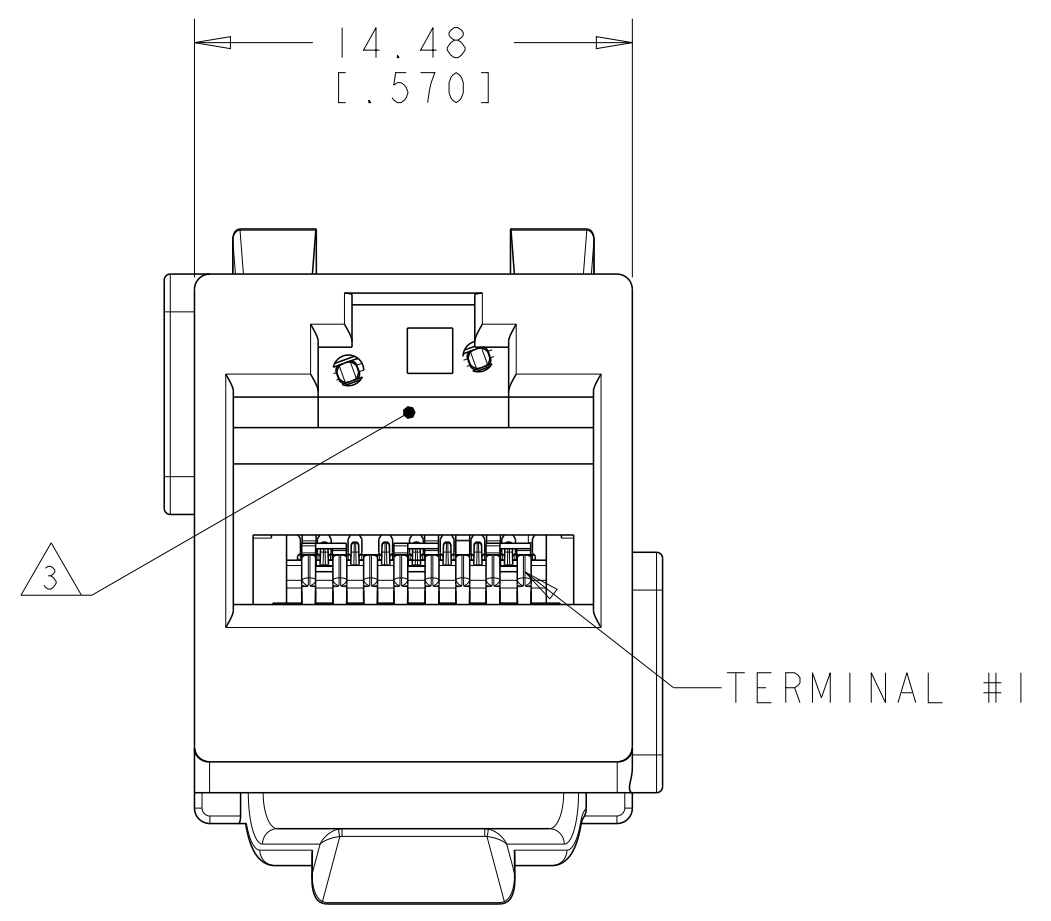


LOC	DIST	REVISIONS					
		P	LTN	DESCRIPTION	DATE	OWN	APVD
HM	00	A2		REV ECO-12-002358	06FEB2012	LH	SA
		B		REV ECO-12-003971	28FEB2012	LH	SA
		C		REV ECO-12-007601	23APR2012	JB	SA
		D		REV; ECO-15-003768	11MAR2015	GG	LS



- 1. MATERIAL: JACK HOUSING - POLYCARBONATE, 94V-0 RATED. 110 BLOCK - POLYCARBONATE. ARRAY TRAY - PBT POLYESTER. JACK CONTACTS ARRAY - BERYLLIUM COPPER, PLATED WITH 1.27µm [.000050] MINIMUM THICK GOLD IN LOCALIZED AREA AND 3.81µm [.000150] MINIMUM THICK MATTE TIN IN BOARD INTERFACE AREA OVER 1.27µm [.000050] MINIMUM THICK NICKEL UNDERPLATE. IDC TERMINALS - PHOSPHOROUS BRONZE, PLATED WITH 3.81µm [.00015] MINIMUM THICK MATTE TIN OVER 1.27µm [.00005] MINIMUM THICK NICKEL UNDERPLATE.
- 2. SL 110 JACK WILL TERMINATE 22-24 AWG SOLID AND 24-26 AWG STRANDED CONDUCTORS, 1.27[.050] MAXIMUM INSULATION DIAMETER. JACK WILL ACCEPT CONDUCTORS UP TO 1.45 [.057] BUT REQUIRE THE USE OF A STRAIN RELIEF.
- 3. CAVITY CONFORMS TO FCC RULES AND REGULATIONS PART 68 SUBPART F REQUIREMENTS.
- 4. MOUNTING PANEL THICKNESS 1.47 - 1.60 [.058 - .063].
- 5. THESE TWO SUGGESTED CUTOUT OPENINGS ARE USED IN TANDEM WITH DUAL FRONT AND BACK CUTOUTS.
- 6. ONE MODULAR JACK ASSEMBLY PER POLYBAG.
- 7. REFER TO 408-8858 FOR TERMINATION INSTRUCTIONS USING SL SERIES TOOL TERMINATION. REFER TO 408-8417 FOR TERMINATION INSTRUCTIONS USING 110 PUNCH DOWN TOOL.
- 8. TWENTY-FIVE MODULAR JACKS PER POLYBAG.

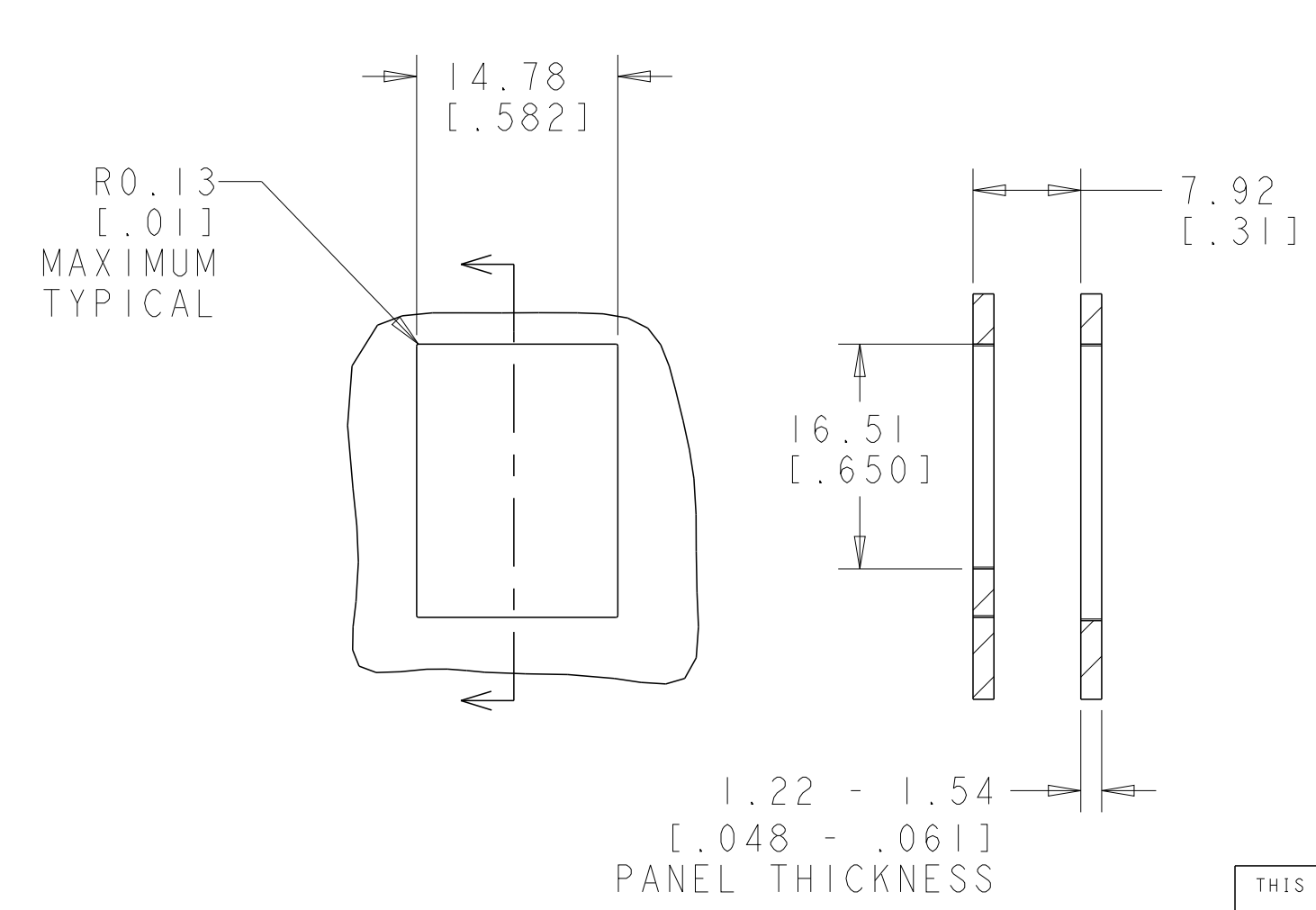
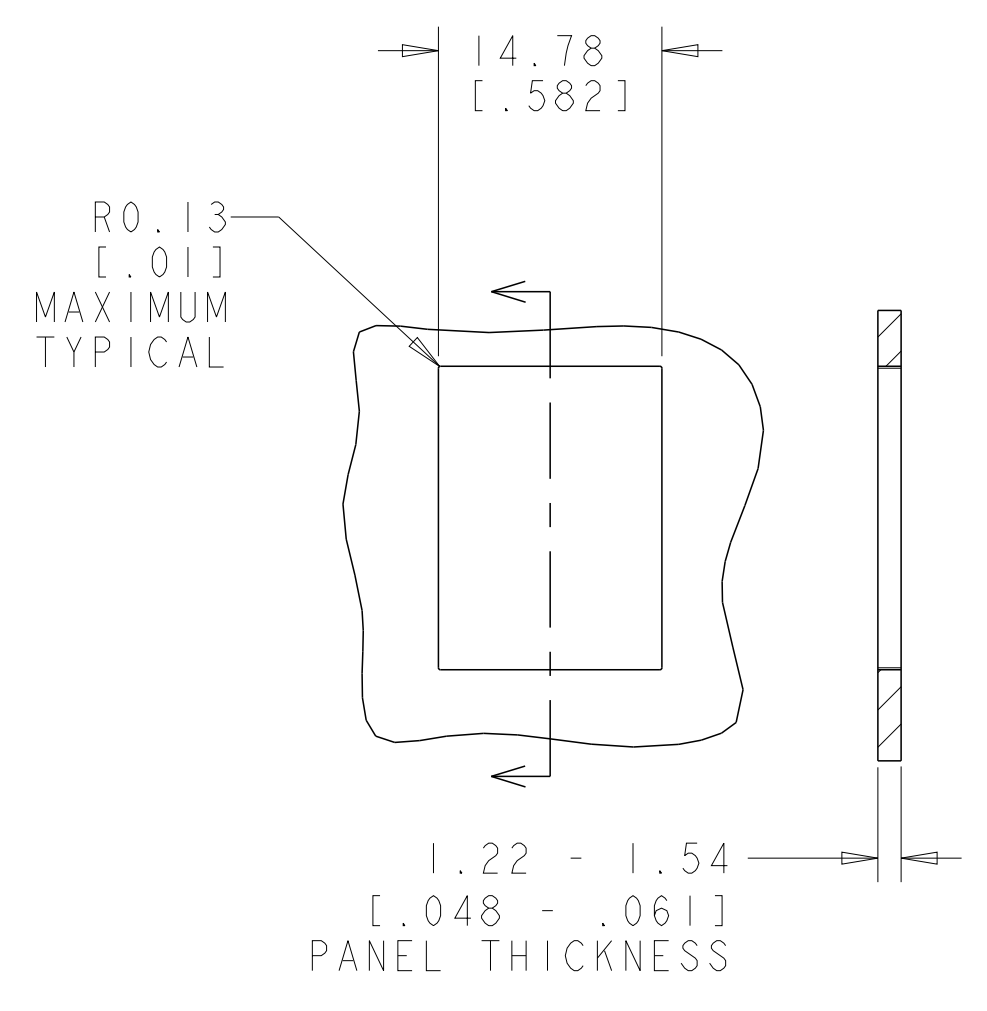


COLOR CODE	IDC TERMINAL	MODULAR JACK	
WHITE/BLUE	5	5	
BLUE	4	4	
WHITE/ORANGE	3	3	
ORANGE	6	6	
WHITE/GREEN	1	1	
GREEN	2	2	
WHITE/BROWN	7	7	
BROWN	8	8	

ELECTRICAL SCHEMATIC T568A

COLOR CODE	IDC TERMINAL	MODULAR JACK	
WHITE/BLUE	5	5	
BLUE	4	4	
WHITE/ORANGE	1	1	
ORANGE	2	2	
WHITE/GREEN	3	3	
GREEN	6	6	
WHITE/BROWN	7	7	
BROWN	8	8	

ELECTRICAL SCHEMATIC T568B



8	HOUSING COLOR	PART NUMBER
	ALPINE WHITE	3-2111435-3
	ELECTRIC IVORY	3-2111435-1
	VIOLET	3-2111435-0
	GREEN	2-2111435-9
	YELLOW	2-2111435-8
	RED	2-2111435-7
	BLUE	2-2111435-6
	ORANGE	2-2111435-5
	NEMA GRAY	2-2111435-4
	BLACK	2-2111435-2
	LIGHT ALMOND	2-2111435-1
6	HOUSING COLOR	PART NUMBER
	ALPINE WHITE	1-2111435-3
	ELECTRIC IVORY	1-2111435-1
	VIOLET	1-2111435-0
	GREEN	2111435-9
	YELLOW	2111435-8
	RED	2111435-7
	BLUE	2111435-6
	ORANGE	2111435-5
	NEMA GRAY	2111435-4
	BLACK	2111435-2
	LIGHT ALMOND	2111435-1

THIS DRAWING IS A CONTROLLED DOCUMENT.

OWN: J. BURWELL 01DEC2011
 CHK: S. ALLGOOD 01DEC2011
 APVD: -

DIMENSIONS: MM [inches]

TOLERANCES UNLESS OTHERWISE SPECIFIED:

0 PLC	±
1 PLC	±
2 PLC	±
3 PLC	±
4 PLC	±
ANGLES	±
FINISH	±

MATERIAL: -

PRODUCT SPEC: 108-131004

APPLICATION SPEC: -

WEIGHT: -

Customer Drawing

SCALE: 3:1

SHEET 1 OF 1

REV D

ASSEMBLY, 110 JACK, CAT 5e E-SERIES

SIZE: A1

CAGE CODE: 100779

DRAWING NO: 2111435

RESTRICTED TO: -