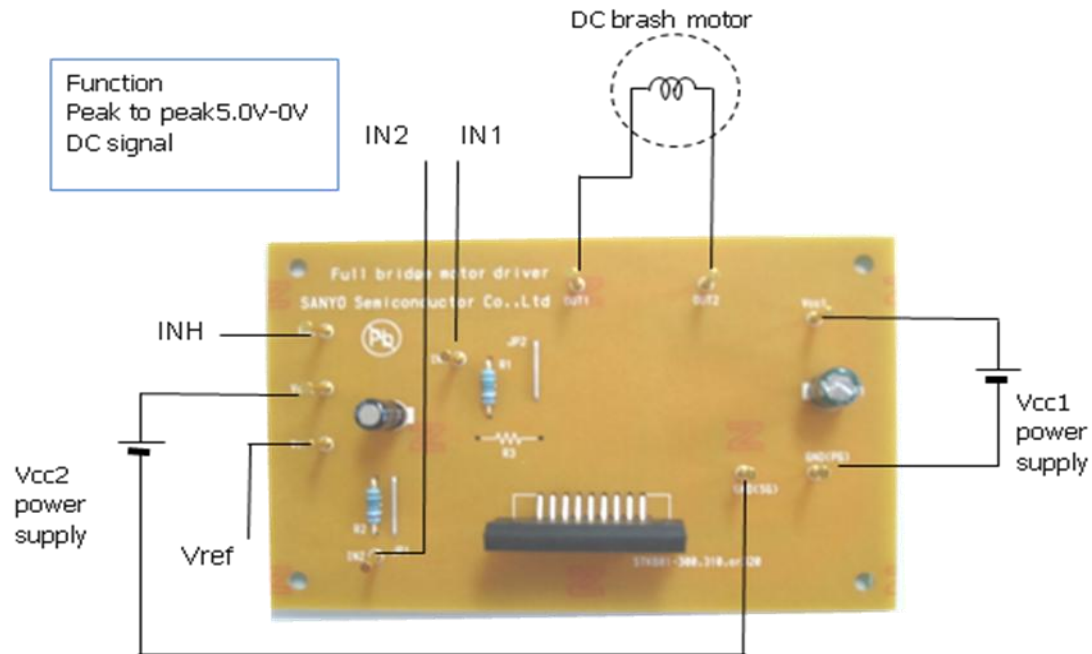




Test Procedure for the STK681-360GEVB Evaluation Board



Evaluation Board Setup

[Supply Voltage] Vcc1 (10 to 42V): Power Supply for DC motor
 Vcc2 (5V) : Power Supply for internal logic IC

[Operation Guide]

1. Motor Connection:
 Connect the motor to OUT1 and OUT2.

2. Initial Condition Setting:
 Set to signal condition IN1=H, IN2=H, and INH=L.

3. Power Supply:
 At first, supply DC voltage to Vcc2(5.0V).
 Next, supply DC voltage to Vcc1.

4. Set to Forward or Reverse signal condition with INH=Low.
 Turn "High" INH signal.
 Output current flows between OUT1 and OUT2.

5. Motor Operation