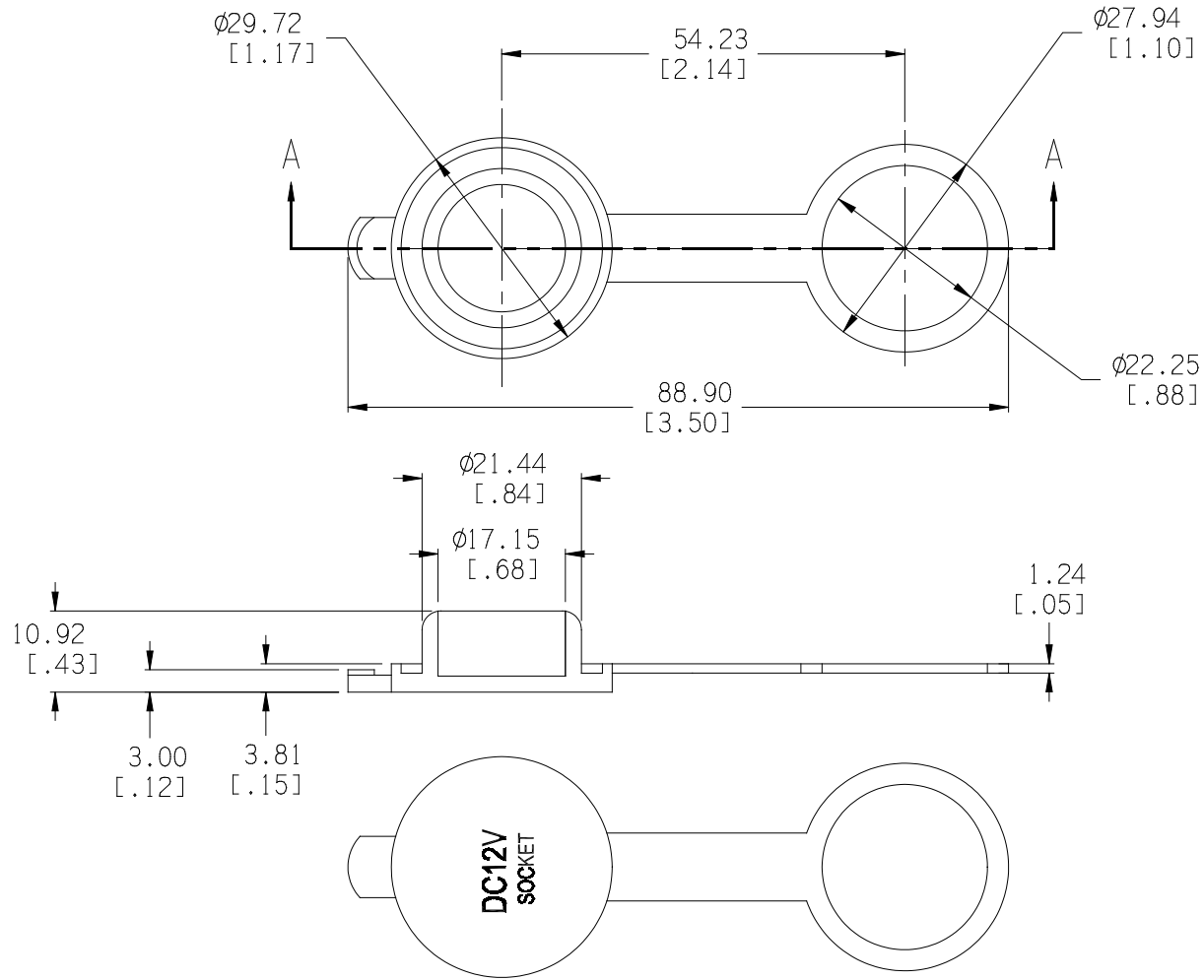



Date	SYM	REVISION RECORD	AUTH	DR.	CK.
06/12/04	A	Redesigned part Material was rubber	T.B.	B.S.	
9/04/08	B	Added "ROHS COMPLIANT"	T.B.	B.S.	



NOTES:

MATERIAL: SOFT PVC
 COLOR: BLACK
 ROHS COMPLIANT

Tolerance (Inches)	 Memory Protection Devices, Inc. 200 Broad Hollow Road, Farmingdale, New York 11735		
Decimal ±.5 (.020)		Scale	Drawn By B.S. Approved By T.B.
Fractional ± .8 (.030)	Title BLACK CAP FOR CIGARETTE SOCKET		
Angular ± 3°	Date 9/04/08	Drawing Number ZA2081-B	