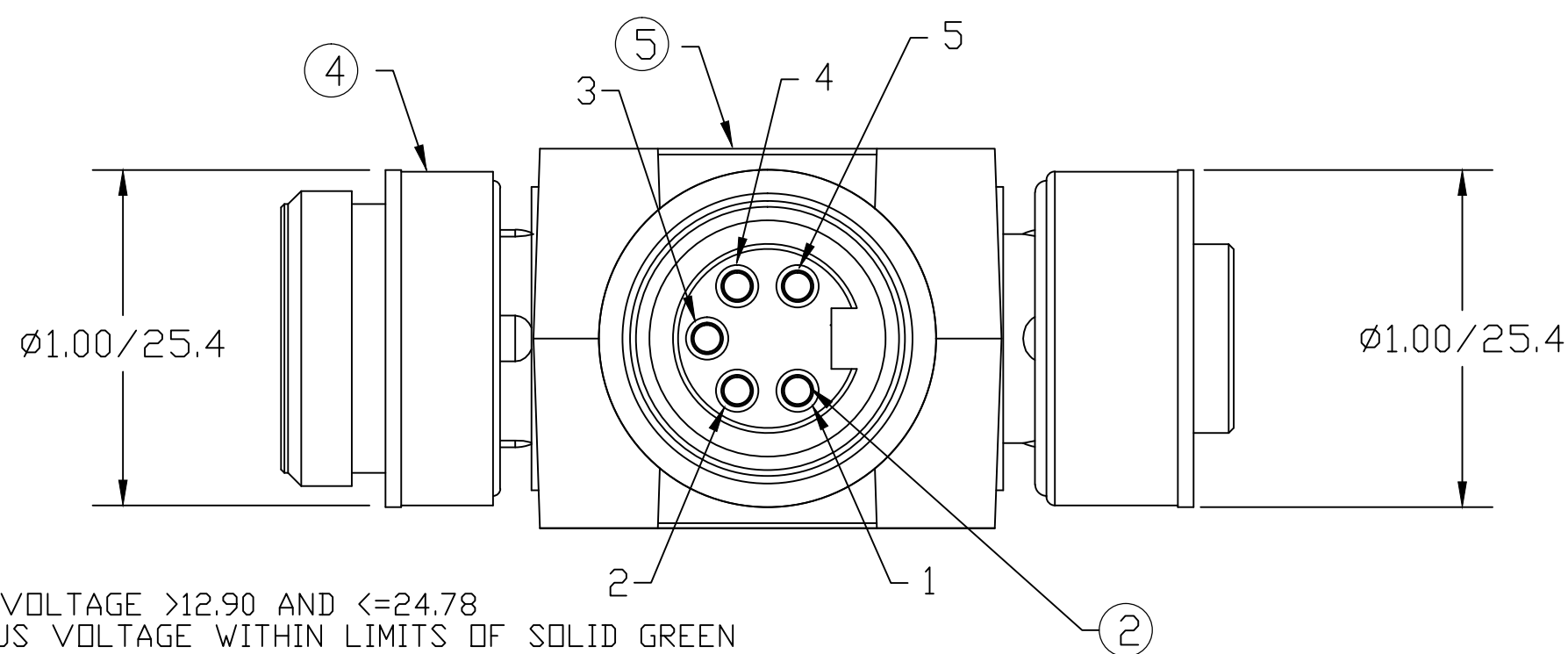
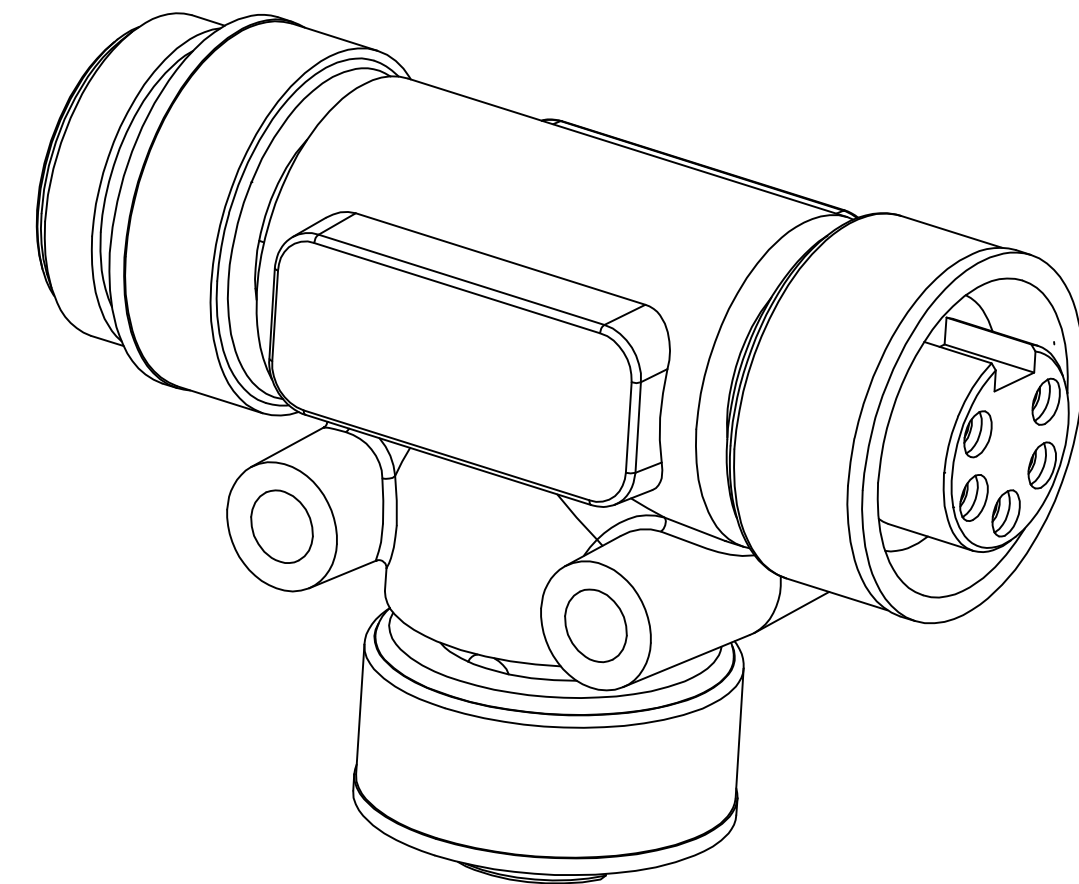
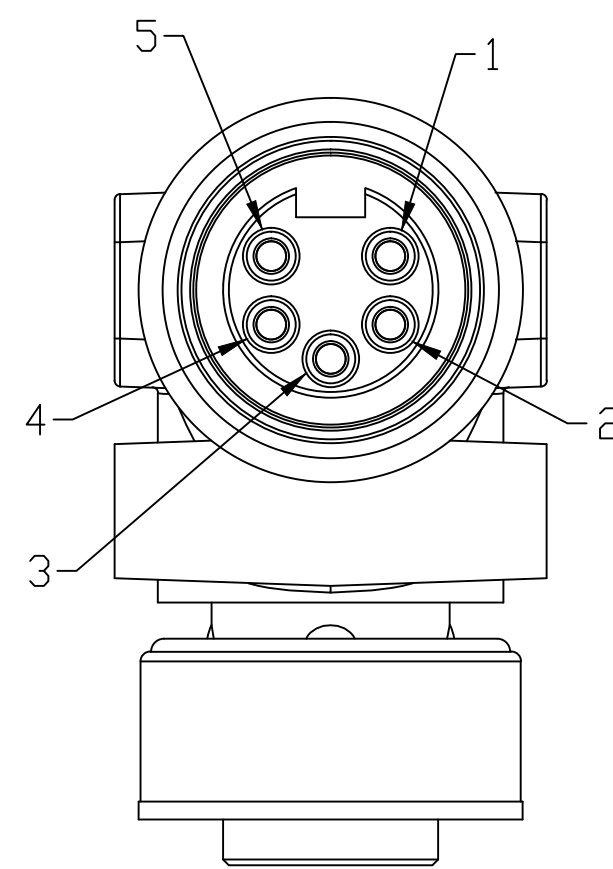
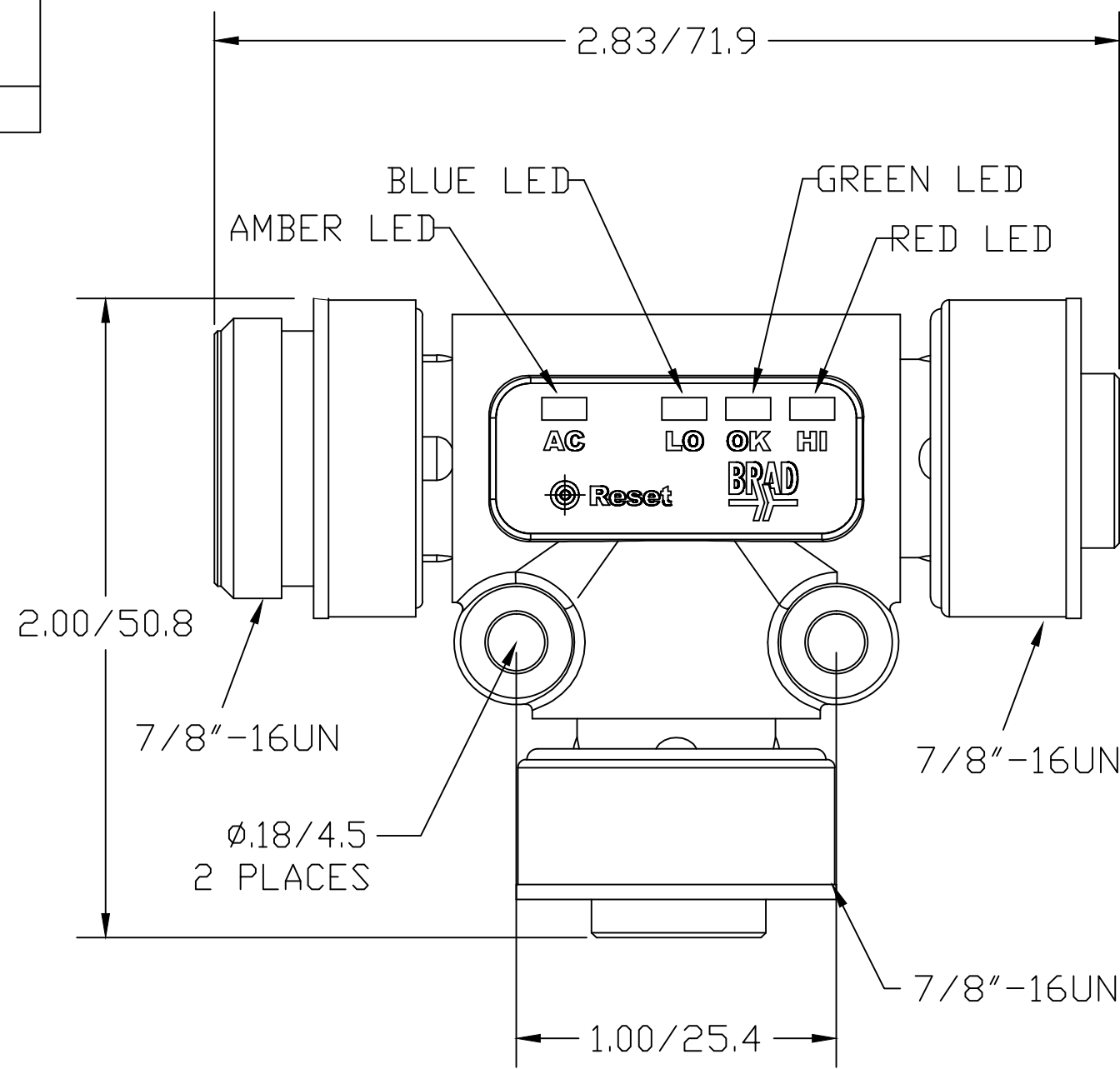
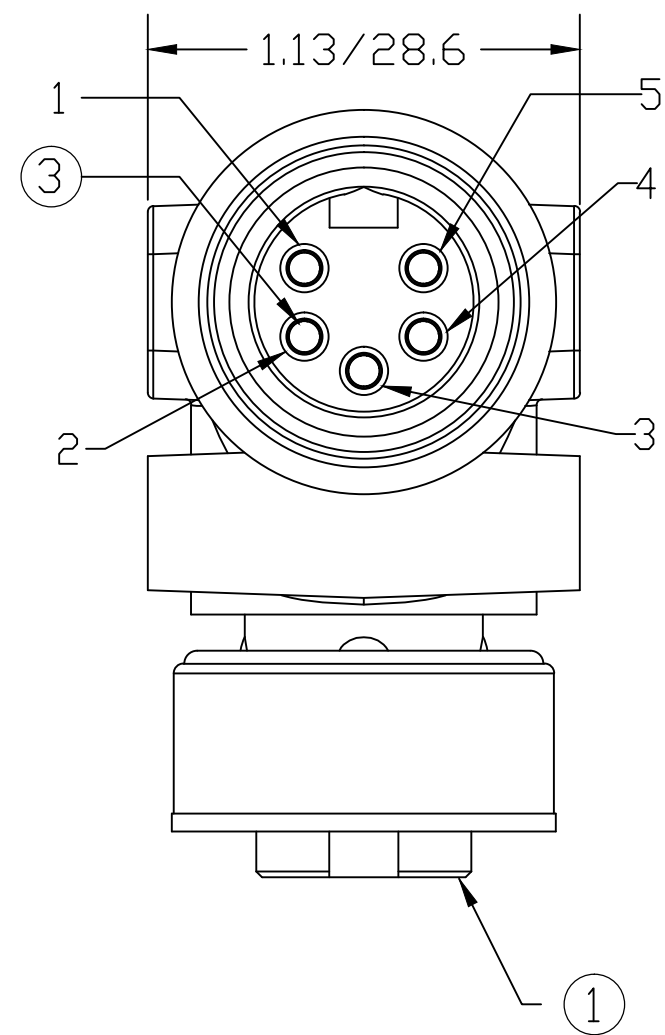
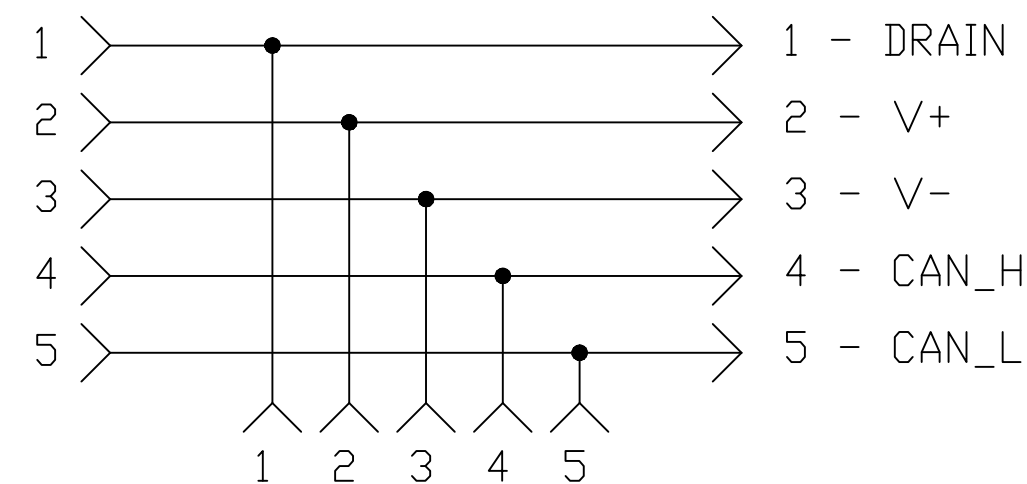


MATERIAL NUMBER	OLD PART NUMBER
130035-0060	DN3020PM-1



SCHEMATIC



LED FUNCTIONALITY:
 SOLID GREEN LED = BUS VOLTAGE >12.90 AND <=24.78
 FLASHING GREEN LED = BUS VOLTAGE WITHIN LIMITS OF SOLID GREEN OPERATION, BUT POWER HAS BEEN CYCLED WITHIN PREVIOUS 24 HRS
 FLICKERING RED LED = BUS VOLTAGE >24.78 (GREATER THAN 25.3 TO GUARANTEE DETECTION)
 FLASHING RED LED = BUS VOLTAGE >24.78 (25.3) WITHIN PREVIOUS 24 HRS
 FLICKERING BLUE LED = BUS VOLTAGE <12.90 (12.4)
 FLASHING BLUE LED = BUS VOLTAGE <12.90 (12.4) WITHIN PREVIOUS 24 HRS
 FLICKERING AMBER LED = BUS VOLTAGE HAS A REPEATED TRANSIENT VOLTAGE (BETWEEN 10Hz AND 250Hz) PRESENT THAT EXCEEDS THE DETECTION THRESHOLD (THRESHOLD LEVEL VARIES BY FREQUENCY)
 FLASHING AMBER LED = BUS VOLTAGE HAS EXPERIENCED A TRANSIENT OR RIPPLE AS SPECIFIED FOR FLICKERING AMBER CONDITION WITH PREVIOUS 24 HRS)

VOLTAGE RATING	30 VDC
PROTECTION	IP67
OPERATING TEMPERATURE	-20°C TO 80°C
UL CERTIFICATIONS	UL RECOGNIZED, FILE NO. E152210
CSA CERTIFICATIONS	CSA CERTIFIED, FILE NO. LR6837

ITEM	COMPONENT	MATERIAL	FINISH
1	INSERT	TPE	GRAY
2	CONTACT SOCKET	COPPER ALLOY	GOLD OVER NICKEL
3	CONTACT PIN	COPPER ALLOY	GOLD OVER NICKEL
4	COUPLING NUT	ZINC DIE CAST	BLACK E-COATED
5	OVERMOLD	TPE	GRAY

2.00/50.8 WAS 2.83/71.9	QUALITY SYMBOL
EC NO.: IPG2014-0219	▽=0
DRWN: KJOZWIK 2013/08/01	▽C=0
CHKD: YOU	DESCRIPTION
APPR: JFMURPHY	REV
B	

	GENERAL TOLERANCES (UNLESS SPECIFIED)	
	mm	INCH
4 PLACES	±---	±---
3 PLACES	±---	±---
2 PLACES	±---	±0.01
1 PLACE	±0.3	±---
ANGULAR ±.5°		
DRAFT WHERE APPLICABLE MUST REMAIN WITHIN DIMENSIONS		

DIMENSION STYLE		SCALE	DESIGN UNITS	THIRD ANGLE PROJECTION
INCH/MM		1:1	INCH	
DRAWN BY	DATE	TITLE		
KJOZWIK	2013/08/01	DNET POWER MONITOR TEE DEVICENET		
CHECKED BY	DATE	---		
VOU	2013/08/01	MOLEX INCORPORATED		
APPROVED BY	DATE	MATERIAL NO.		
----	----	1300350060		
SIZE	THIS DRAWING CONTAINS INFORMATION THAT IS PROPRIETARY TO MOLEX INCORPORATED AND SHOULD NOT BE USED WITHOUT WRITTEN PERMISSION			
C	DOCUMENT NO. SD-130035-005 SHEET NO. 1 OF 1			