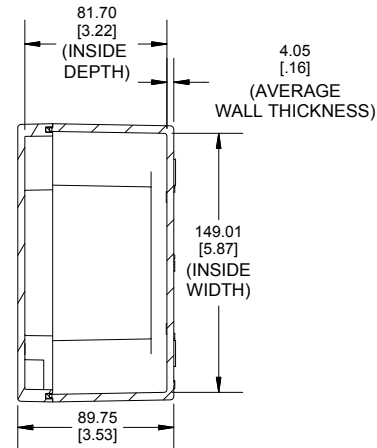
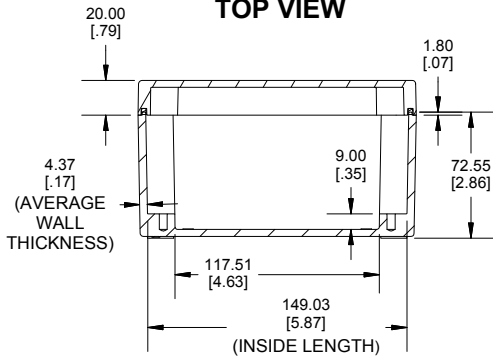


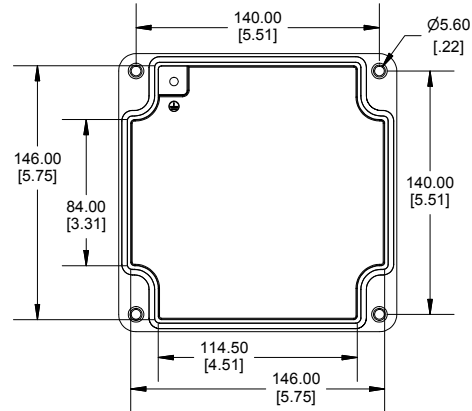
TOP VIEW



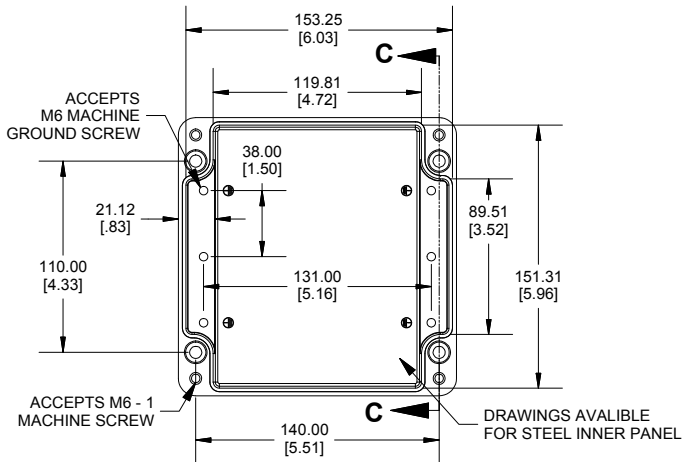
**SECTION A-A
END VIEW**



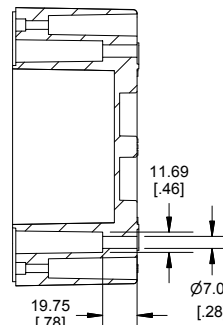
**SECTION B-B
SIDE VIEW**



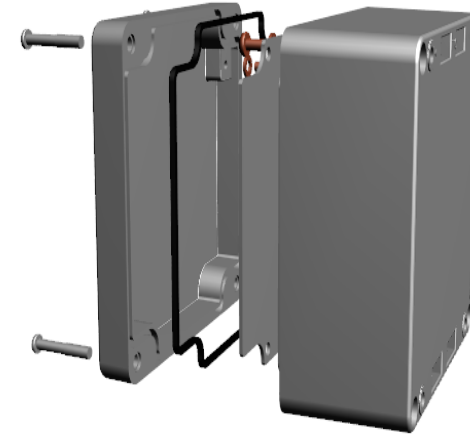
INSIDE LID



INSIDE BOX



**SECTION C-C
MOUNTING HOLE**



UL US LISTED
FILE #E65324
NEMA 4, 4X, 6, 6P

Enclosures can be Factory Modified (Milling, Drilling, Printing etc.)
Contact Factory mjm@hammondmfg.com for quotes
Solid models of this enclosure available in STEP or IGES.
(Part number and text placement/orientation on our products are subject to change,
we do not recommend using them as a locating reference for modification purposes)

NOTE

Purchased assembly includes box, lid, silicone gasket,
4 cover screws and 4 ground screws with washers.
Box and lid are made from Diecast Aluminum Alloy.

Recommended cover screw Torque 15-17 lbf.in (150 -170 cN.m)

| 1590Z160 | |
|---|------------|
| 1590Z160 Enclosure | |
| Natural Enclosure | 1590Z160 |
| Black Enclosure | 1590Z160BK |
| Grey Enclosure - RAL7001 Gloss | 1590Z160GY |
| ACCESSORIES | |
| Steel Inner Panel | 1590Z160PL |
| Pre-Formed Silicone Gasket (2 Pack) | 1590Z160G |
| Copper Ground Hardware (20 Pack) [M6 - 1.0 X 10mm / M6 Washer] | SCGM6-20 |
| Stainless Steel Cover screws (12 pkg) [M6 - 1.0 x 35mm] | SC564-12 |

**HAMMOND
MANUFACTURING®**

1590Z160
www.hammondmfg.com

Dimensions:
mm
[inches]