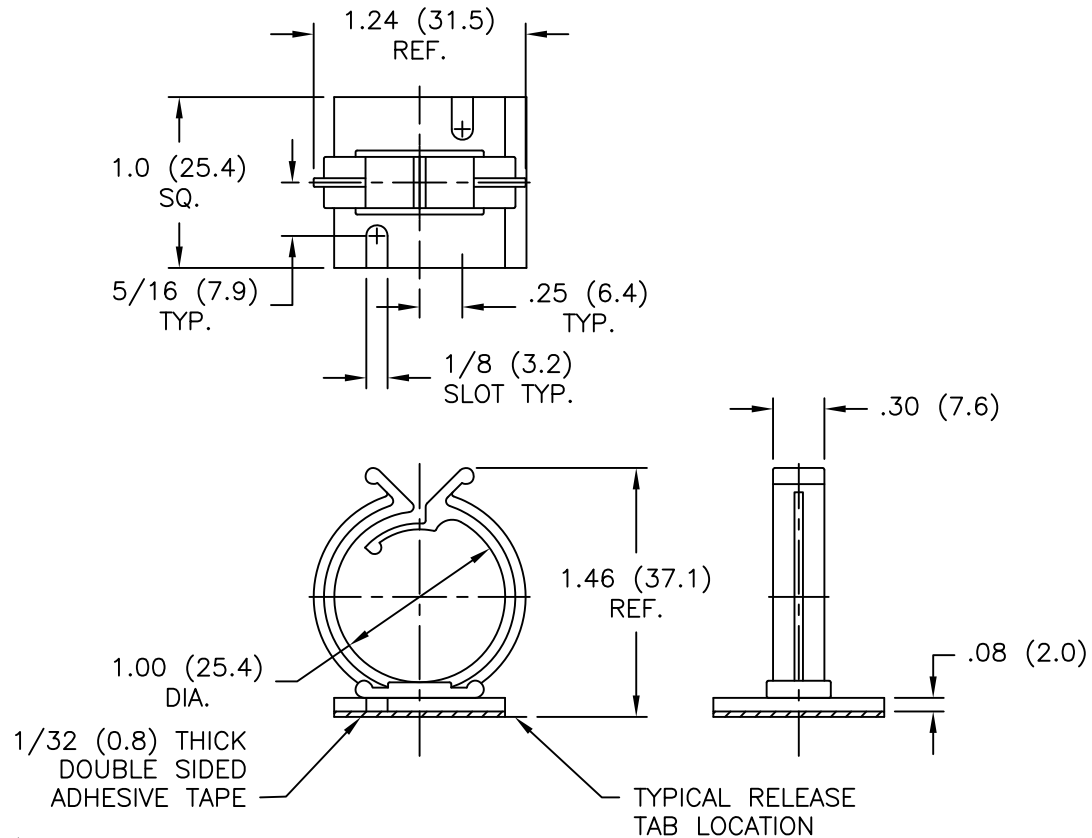


PART NUMBER	
W/O TAPE	RWSB-16-01
W/ACRYLIC TAPE	RWSB-16-01A-RT



NOTES:

1. MATERIAL: NYLON 6/6 (RMS-01).
COLOR: NATURAL.
2. FLAME RETARDANT NYLON (RMS-19).
COLOR: NATURAL. BY SPECIAL ORDER.
3. DOUBLE-SIDED ADHESIVE
ACRYLIC TAPE (RMS-15).

TITLE: ROUND WIRE SADDLE ON BASE, 1.0" DIA.				⊕	▭	DWG IN IN (MM)	QR
TOLERANCES UNLESS NOTED .XX=±.010 .XXX=±.005 FRAC=±1/64 ANG=±1'	FILE # RWSB16	DWN: S.M.	APP:	FINAL			
	MAT'L: SEE NOTES	DT: 08/17/01	DT:	PART #		PRINT	
	RE: RICHCO, INC.	RICHCO INC. PO BOX 804238, CHICAGO, 60680 (773) 539-4060		SEE TABLE		TYPE CA	

A	SEE CO200299 FOR CHANGES	SK 01.05.09
REV	DESCRIPTION	ENGR DATE