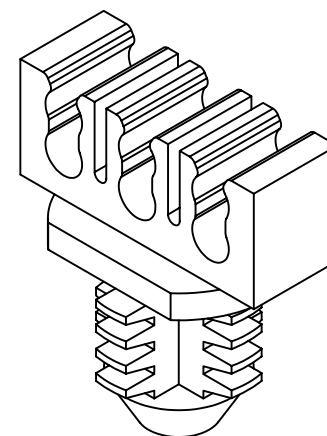
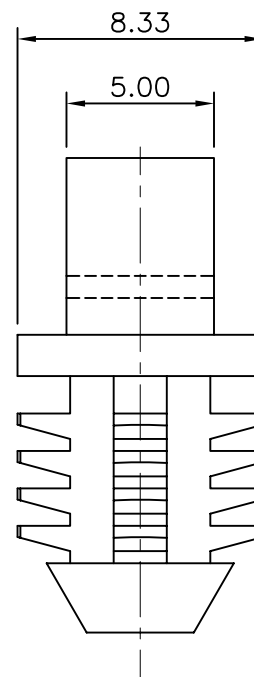
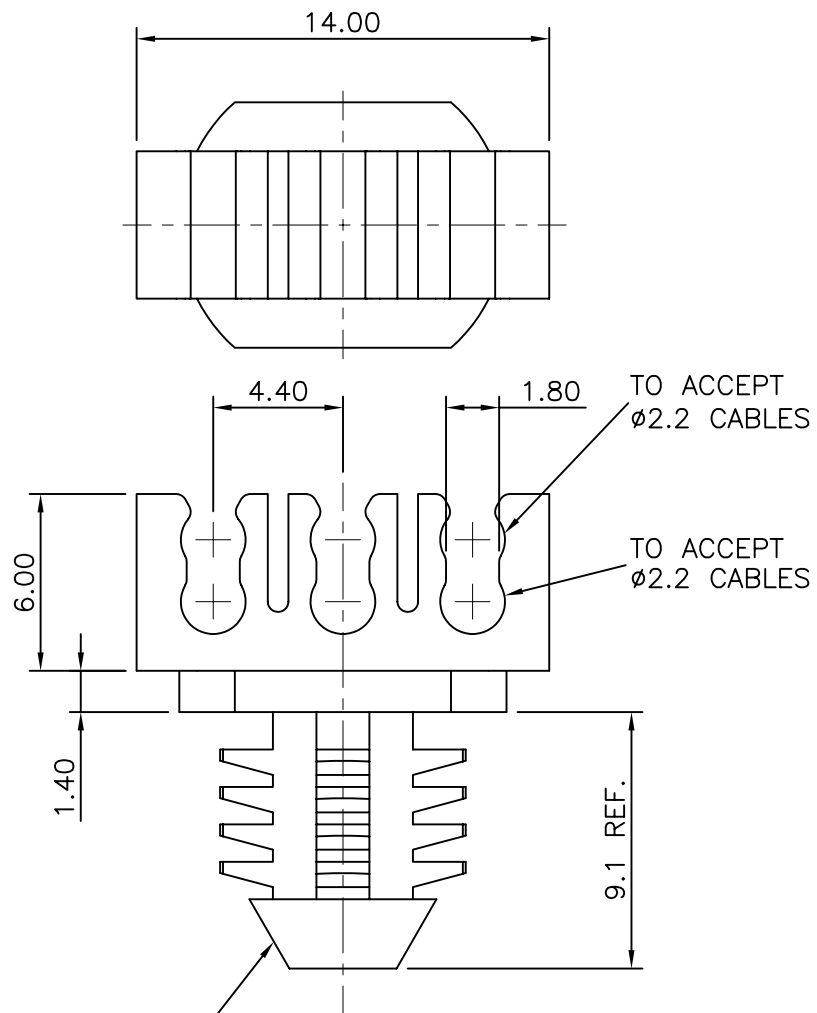


ISSUE No	REVISION	DATE	CHKD
A	NEW DWG	061100	KD
B	SCN2001-028	020401	KD



NOTES:

- STANDARD PACK QUANTITY: 1000
- ALL DIMENSIONS IN mm

TO PRESS FIT INTO A $\phi 7.92 \pm 0.05$ HOLE IN A 6.35 MIN. THICK PANEL

<small>INFORMATION CONTAINED IN THIS DOCUMENT IS CONFIDENTIAL TO RICHCO INTERNATIONAL COMPANY AND MAY NOT BE DISCLOSED OR REPRODUCED IN WHOLE OR PART WITHOUT THEIR WRITTEN CONSENT</small>		DRN	MATERIAL: NYLON 6/6 FR (RMS-19)					
PART DESIGNED IN METRIC / IMPERIAL		RMB	COLOUR - NATURAL					
TOLERANCES -UNLESS OTHERWISE STATED		CHKD	TITLE					
<table border="1"> <tr> <td>1 PLACE</td> <td>±</td> </tr> <tr> <td>2 PLACE</td> <td>± 0.25</td> </tr> </table>		1 PLACE	±	2 PLACE	± 0.25	PG	OPTICAL FIBRE EXPANDABLE BRACKET	
1 PLACE	±							
2 PLACE	± 0.25							
ANGLES ± --°		APPD	DESCRIPTION	SIZE				
		PTG	OFB-BH-6-19	A4				
		SCALE	DRG No	SHEET No				
		NTS	999-0002	1 of 1				
				DATE				
				061100				