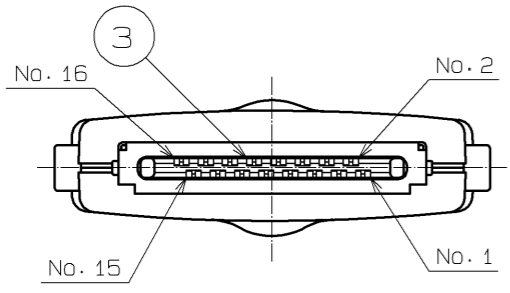
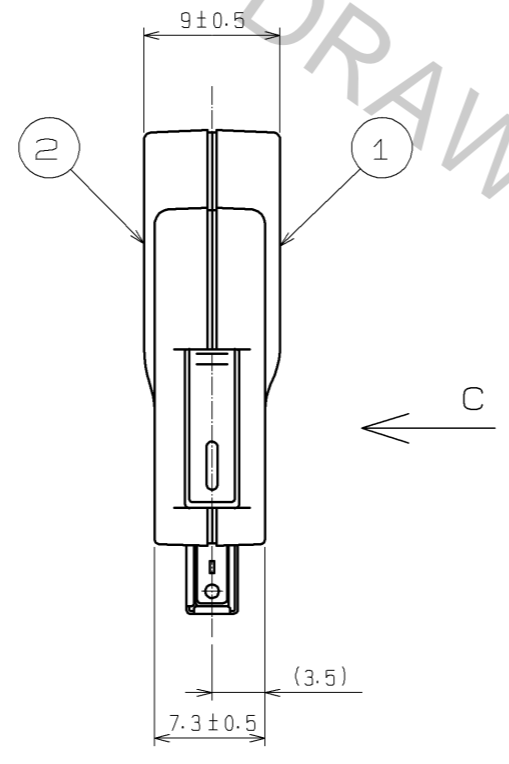
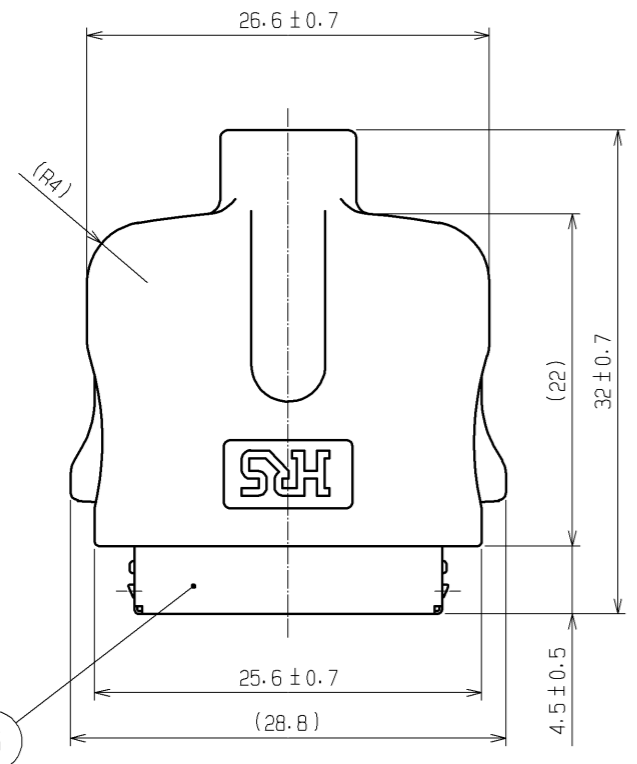
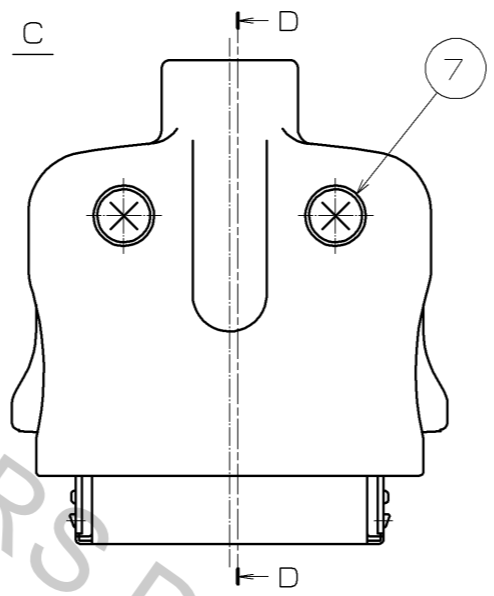
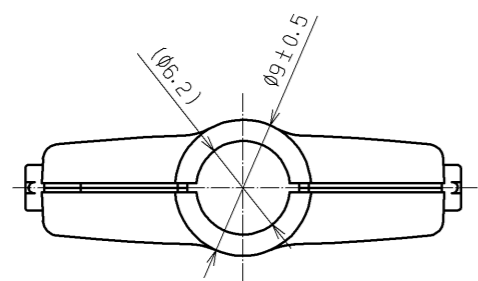
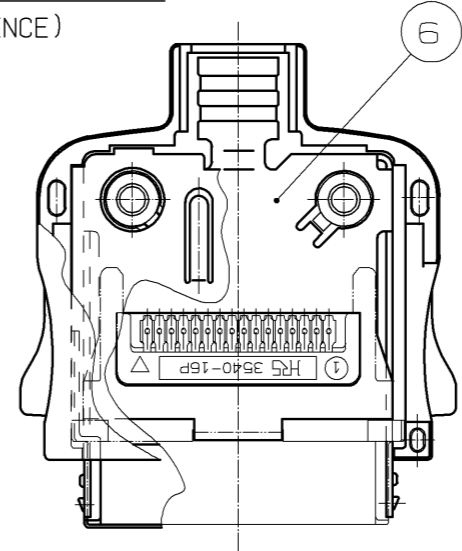


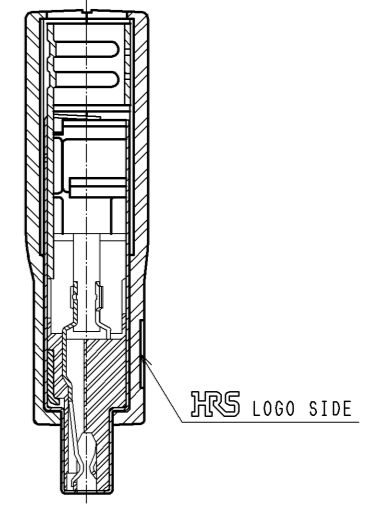
Apr.1.2017 Copyright 2017 HIROSE ELECTRIC CO., LTD. All Rights Reserved.



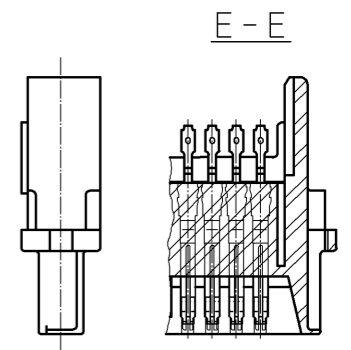
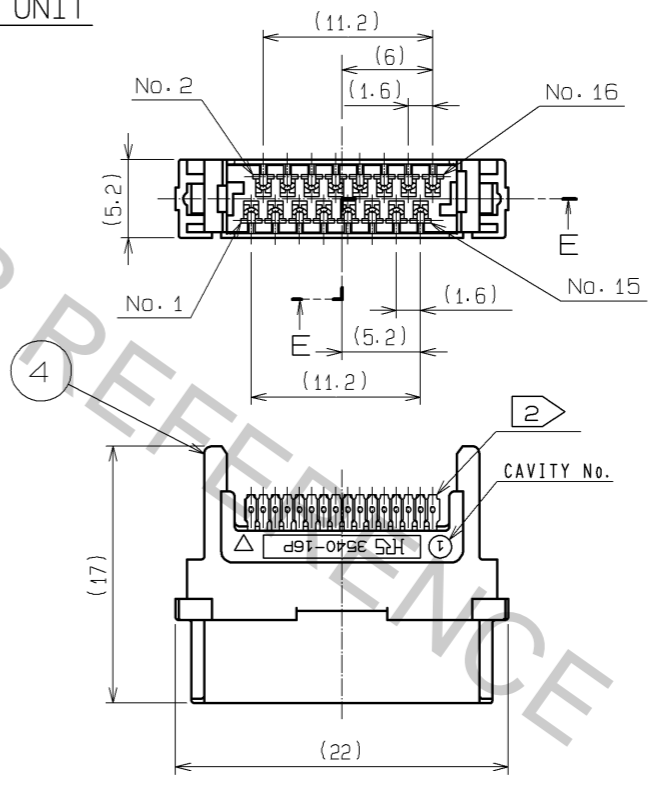
CONSTRUCTION INSIDE  
(FOR REFERENCE)



D - D (FOR REFERENCE)



CONNECTOR UNIT



NOTE 1. THIS PRODUCT SHALL BE IN DISASSEMBLED CONDITION (EXCEPT CONNECTOR UNIT ③, ④) WHEN DELIVERED.  
② EACH TERMINATION POINT SHALL BE COVERED WITH HEAT SHRINK TUBE AFTER SOLDERING ASSEMBLY.

3	COPPER ALLOY	CONTACT AREA GOLD PLATING 0.76μm LEAD AREA GOLD PLATING 0.03μm UNDER PLATING NICKEL PLATING 1.27μm	7	STEEL	BLACK TAPPING SCREW
2	POLYCARBONATE	BLACK UL94V-0	6	STAINLESS STEEL	
1	POLYCARBONATE	BLACK UL94V-0	5	STAINLESS STEEL	
			4	POLYAMIDE	BLACK UL94V-0
NO.	MATERIAL	FINISH . REMARKS	NO.	MATERIAL	FINISH . REMARKS
UNITS	mm	SCALE 2 : 1	COUNT 2	DESCRIPTION OF REVISIONS DIS-E-004505	DESIGNED TA. ASO
		APPROVED : SR. KIKUTA 07.06.05	DRAWING NO. EDC3-120517-02		CHECKED NM. NISHIMATSU
		CHECED : SJ. SHIMIZU 07.06.05	PART NO. 3540-16P-CV(57)		DATE 13.02.05
		DESIGNED : TS. ITO 07.06.05	CODE NO. CL235-0004-1-57		
		DRAWN : TS. ITO 07.06.05			