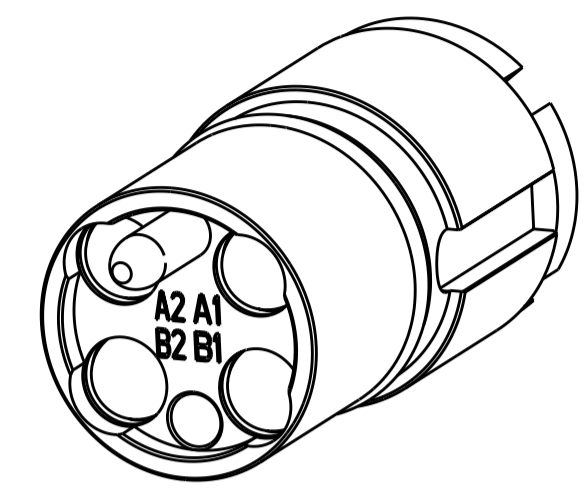


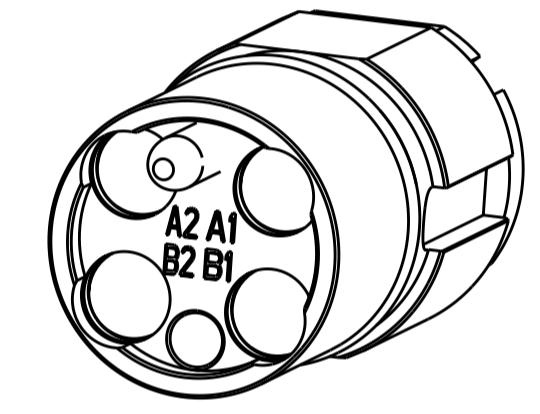
THIS DRAWING IS UNPUBLISHED. RELEASED FOR PUBLICATION 20
 © COPYRIGHT 20 BY - ALL RIGHTS RESERVED.

LOC	DIST	REVISIONS			
P	LTR	DESCRIPTION	DATE	DWN	APVD
CE	16				
	D	ECR-07-018681	21AUG07	KG	DW
	DI	ECR-12-003450	22FEB2012	KG	DW

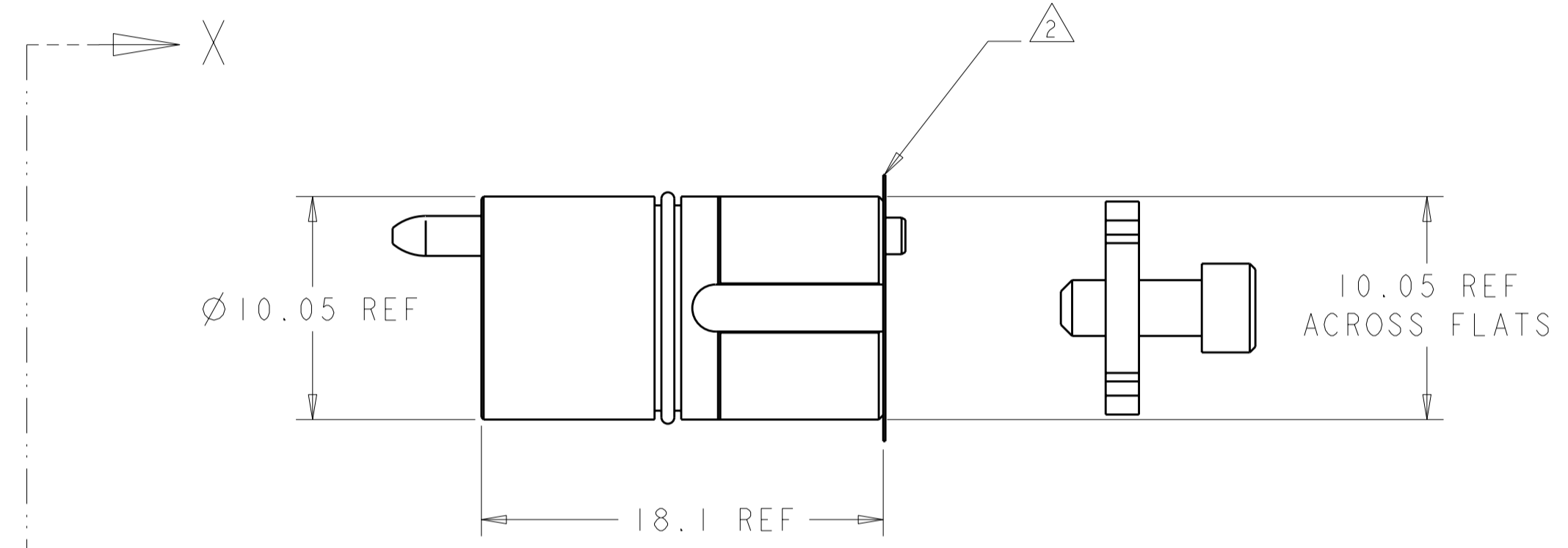
1. THIS PRODUCT HAS NOT COMPLETED VALIDATION TESTING.
2. PROTECTIVE LABEL APPLIED AFTER FINAL CLEAN ROOM TEST TO PREVENT OPTICAL CAVITY CONTAMINATION. REMOVE ONLY WHEN READY TO ASSEMBLE.
3. FOR USE WITH FERRULE ASSEMBLY KIT P/N 1754699-1, ONE PER FIBER. FERRULES MUST BE FLAT-POLISHED.
4. FOR USE WITH JACKETED CABLE FERRULE ASSEMBLY P/N 1754456-3, ONE PER FIBER. FERRULES MUST BE FLAT-POLISHED.



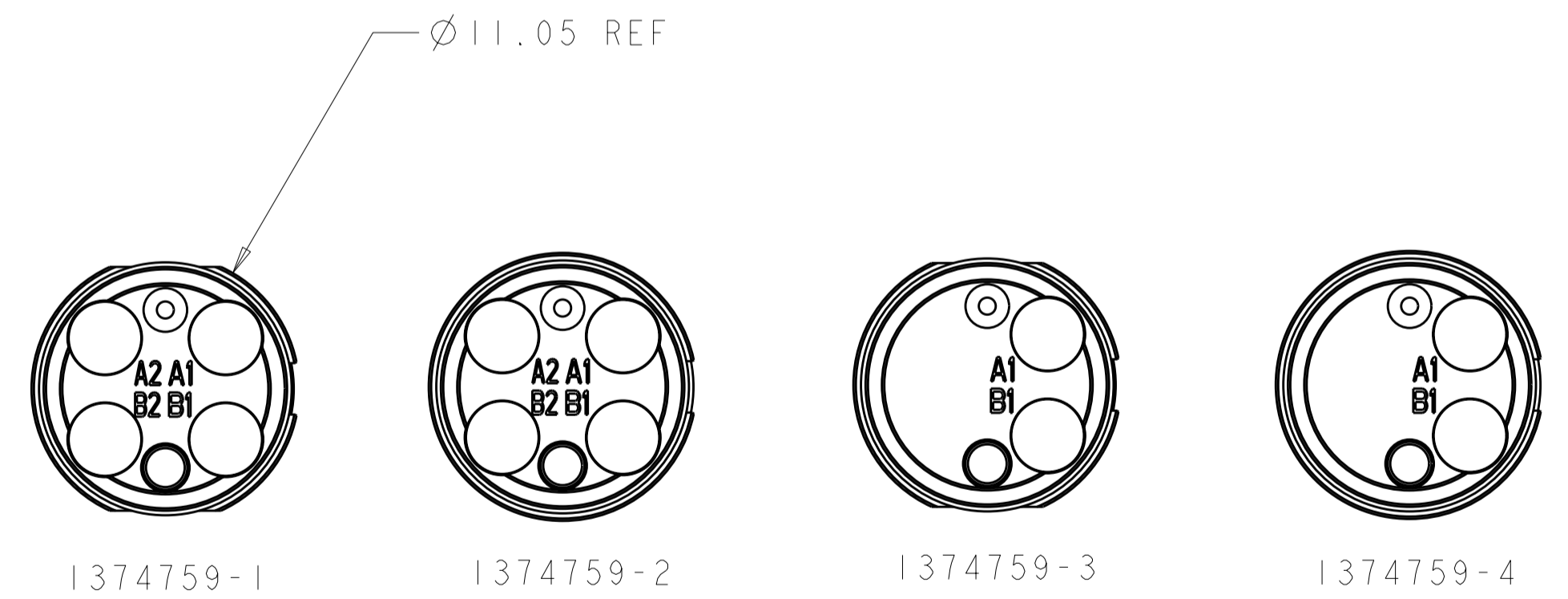
1374759-2



1374759-1



1374759-1



VIEW X - X

(SHOWN WITHOUT PROTECTIVE LABEL)

DESCRIPTION	PART NUMBER
2 CHANNEL, 850/1300nm MM	1374759-8
2 CHANNEL, 850/1300nm MM, ARINC	1374759-7
4 CHANNEL, 850/1300nm MM	1374759-6
4 CHANNEL, 850/1300nm MM, ARINC	1374759-5
2 CHANNEL, 850/1300nm MM	1374759-4
2 CHANNEL, 850/1300nm MM, ARINC	1374759-3
4 CHANNEL, 850/1300nm MM	1374759-2
4 CHANNEL, 850/1300nm MM, ARINC	1374759-1

THIS DRAWING IS A CONTROLLED DOCUMENT. DIMENSIONING AND TOLERANCING PER ASME Y14.5M-2009		DWN 19APR2004 K. GLATFELTER	STE TE Connectivity	
DIMENSIONS: mm		CHK 07JUN2004 D. WERTMAN		
TOLERANCES UNLESS OTHERWISE SPECIFIED:		APVD 07JUN2004 D. WERTMAN	NAME INSERT ASSEMBLY, MINI EB 850/1300nm, MM	
0 PLC ± 1 PLC ± 2 PLC ± 3 PLC ± 4 PLC ± ANGLES ± FINISH		PRODUCT SPEC - APPLICATION SPEC - WEIGHT -	SIZE A200779	DRAWING NO C-1374759
MATERIAL STAINLESS ALLOYS & NBR		N/A	SCALE 4:1	SHEET 1 OF 1 REV DI