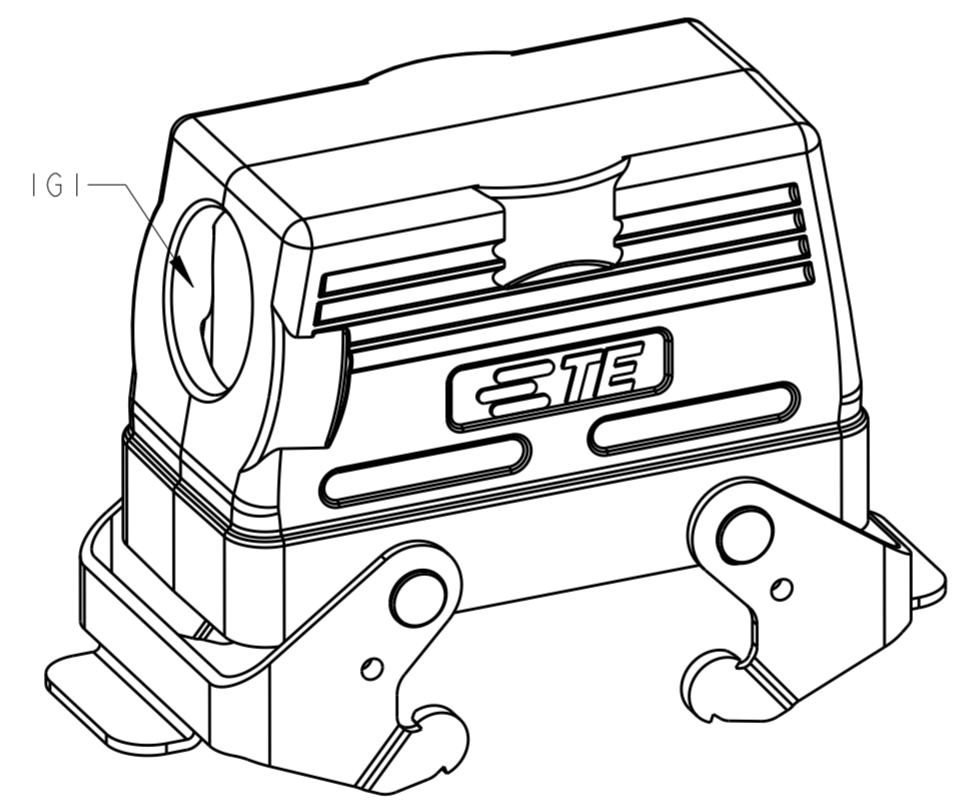
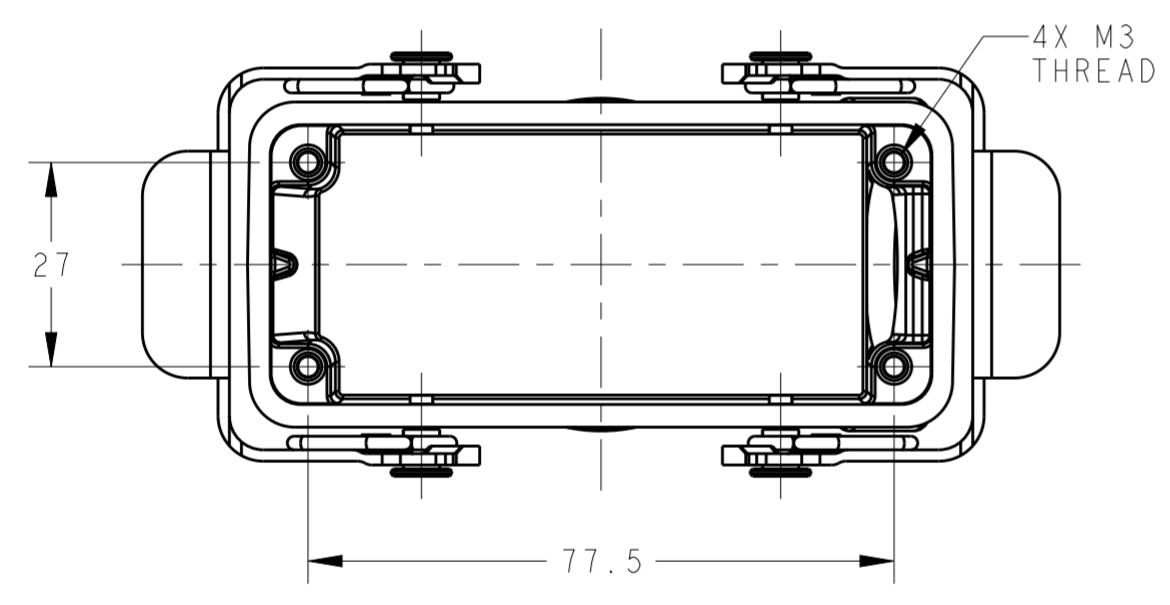
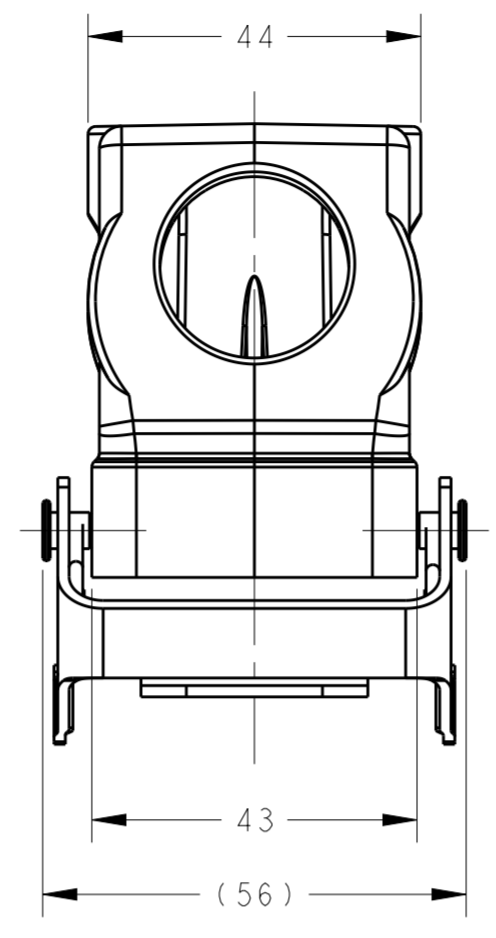
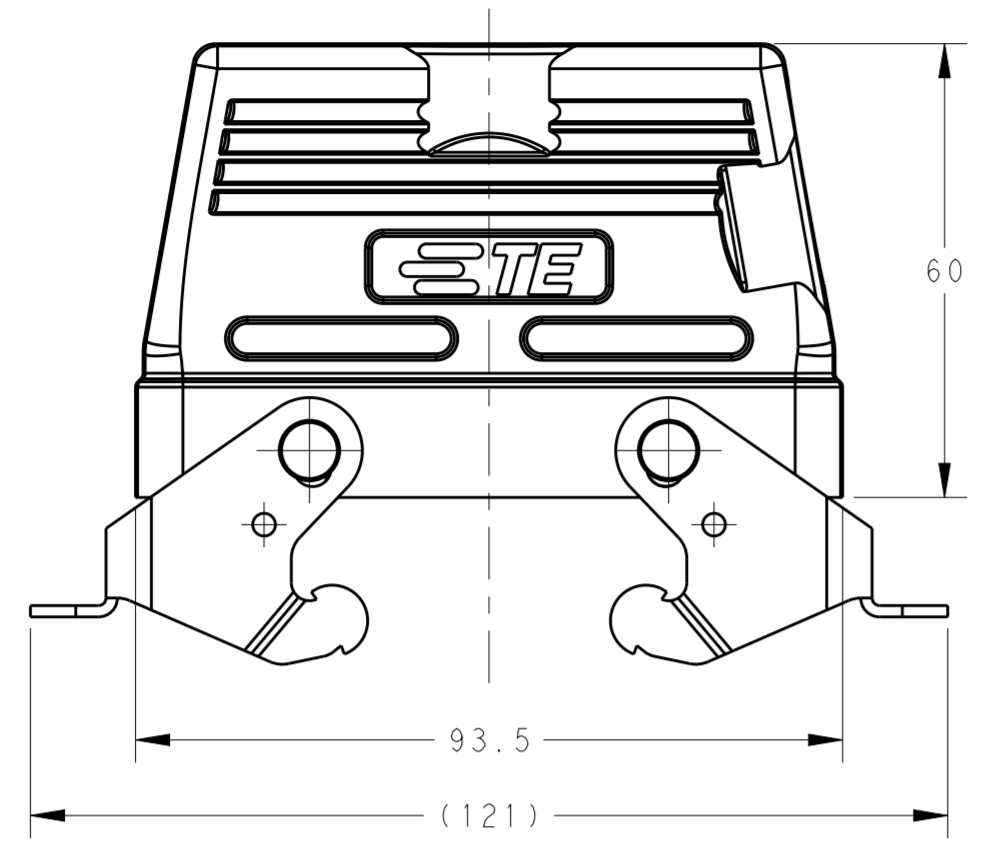


THIS DRAWING IS UNPUBLISHED. RELEASED FOR PUBLICATION 20  
 © COPYRIGHT 20 BY - ALL RIGHTS RESERVED.

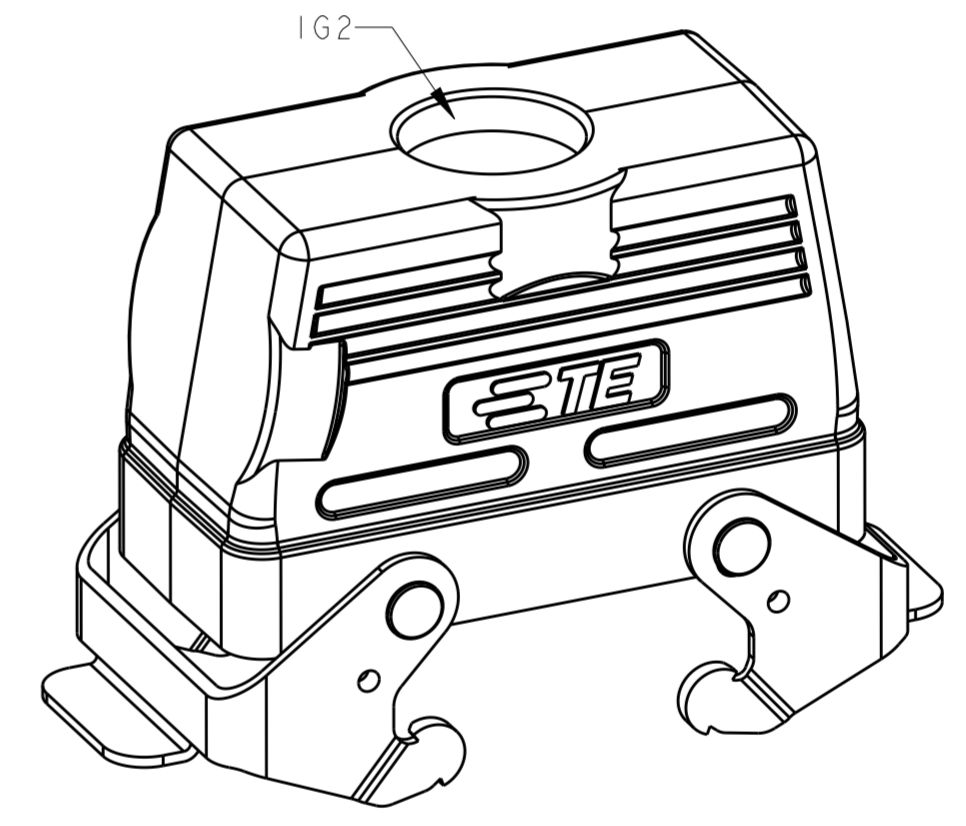
REVISIONS				
P	LTR	DESCRIPTION	DATE	APVD
	A	INITIAL	29MAY2015	DW CW



TYPE 1: LOW CONSTRUCTION, SIDE ENTRY WITH STEEL LOCKING

NOTES:  
 1. TECHNICAL CHARACTERISTICS:  
 HOOD MATERIAL: DIE CAST ALUMINIUM ALLOY  
 SURFACE: POWDER COATED, GREY  
 OPERATION TEMPERATURE: -40-+125°C  
 DEGREE OF PROTECTION: IP65 (MATED)

注释:  
 1. 技术参数:  
 上壳材料: 铝合金  
 表面处理: 粉末涂层, 灰色  
 工作温度: -40-+125°C  
 防护等级: IP65(配合)



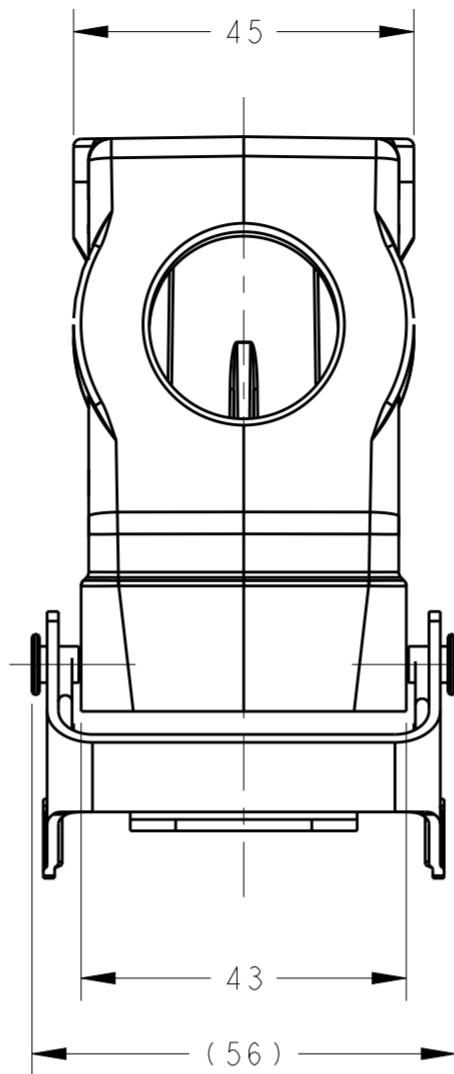
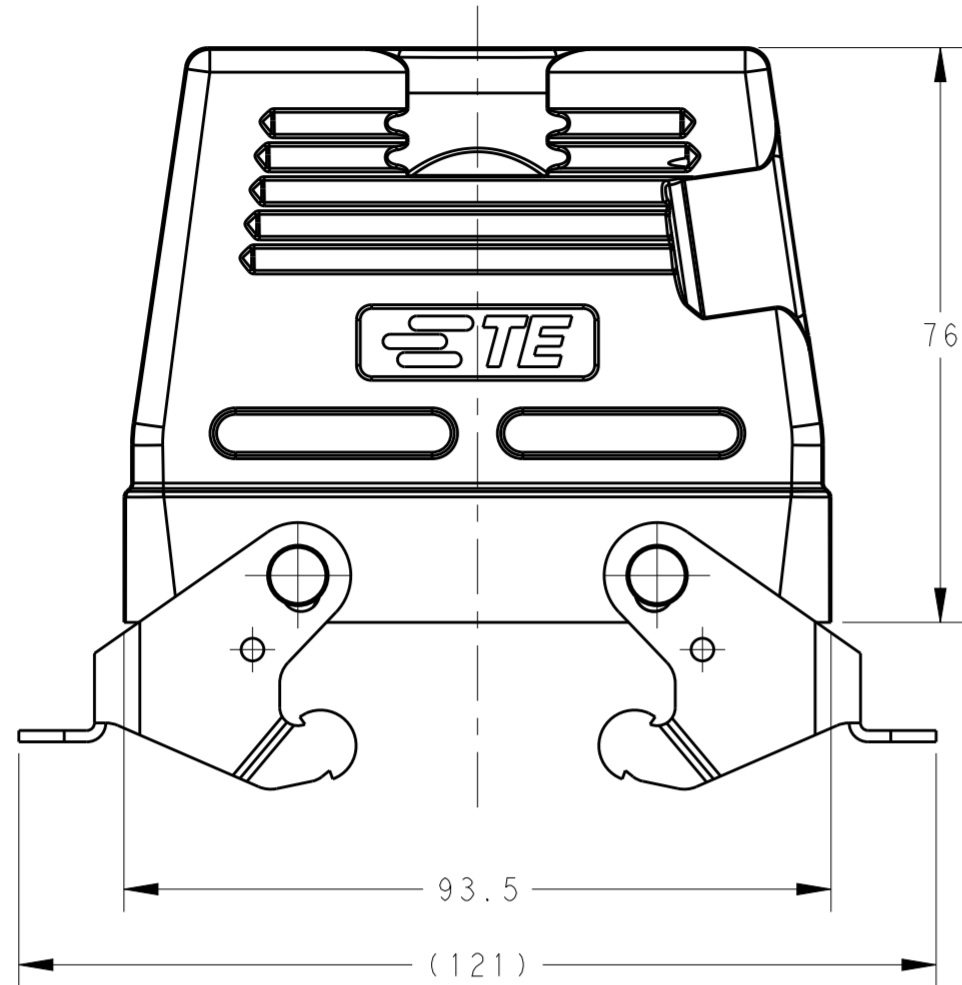
TYPE 2: LOW CONSTRUCTION, TOP ENTRY WITH STEEL LOCKING  
 OTHER SPEC REFER TO TYPE 1

PART NUMBER	TYPE	DESCRIPTION	IG1	IG2
T1250162120-000	TYPE 1	H16B-TSB-M20	M20	-
T1250162121-000		H16B-TSB-PG21	PG21	-
T1250162125-000		H16B-TSB-M25	M25	-
T1250162132-000		H16B-TSB-M32	M32	-
T1260162121-000	TYPE 2	H16B-TGB-PG21	-	PG21
T1260162125-000		H16B-TGB-M25	-	M25
T1260162132-000		H16B-TGB-M32	-	M32

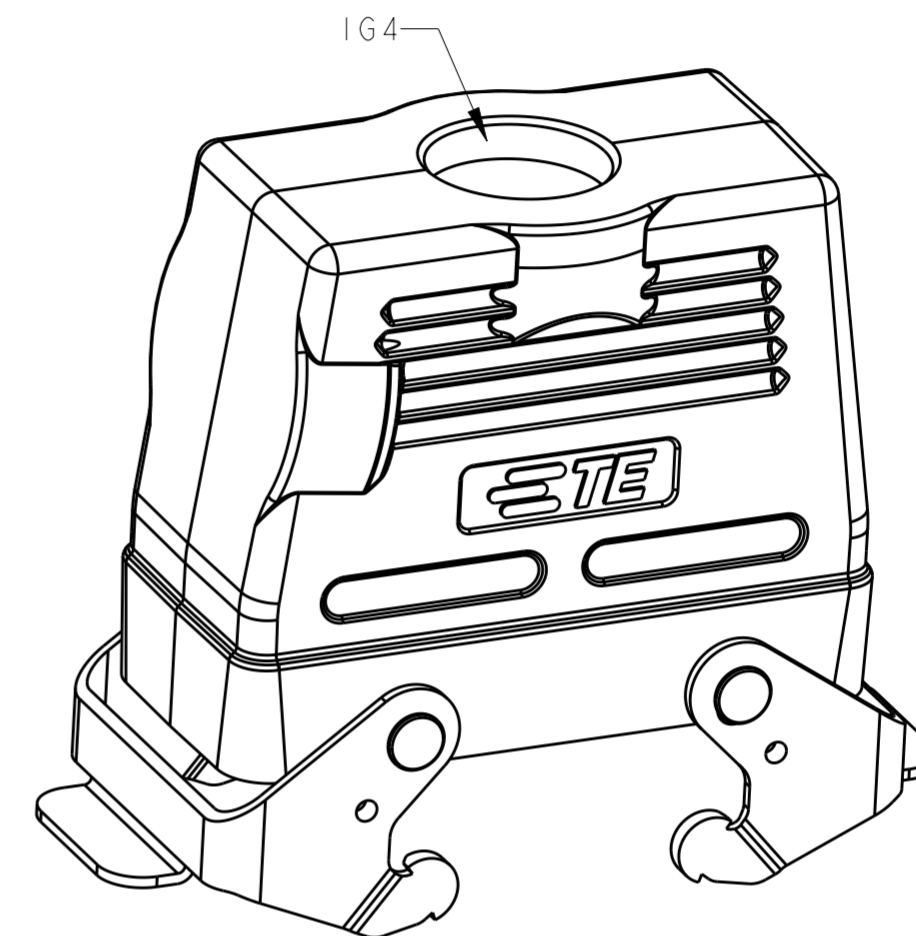
THIS DRAWING IS A CONTROLLED DOCUMENT.		DWN David Wang 29MAY2015	<b>STE</b> TE Connectivity	
		CHK Chris Wang 29MAY2015		
		APVD Xiang Xu 29MAY2015	NAME H16B-TSB/TGB/TSBH/TGBH-M/PG	
DIMENSIONS: mm		PRODUCT SPEC 108-137013	SIZE CAGE CODE DRAWING NO RESTRICTED TO	
TOLERANCES UNLESS OTHERWISE SPECIFIED:		APPLICATION SPEC 114-137013	A200779 C-T12X01621XX000	
MATERIAL		WEIGHT	SCALE 1:1 SHEET 1 OF 2 REV A	
		Customer Drawing		

THIS DRAWING IS UNPUBLISHED. RELEASED FOR PUBLICATION 20  
 © COPYRIGHT 20 BY - ALL RIGHTS RESERVED.

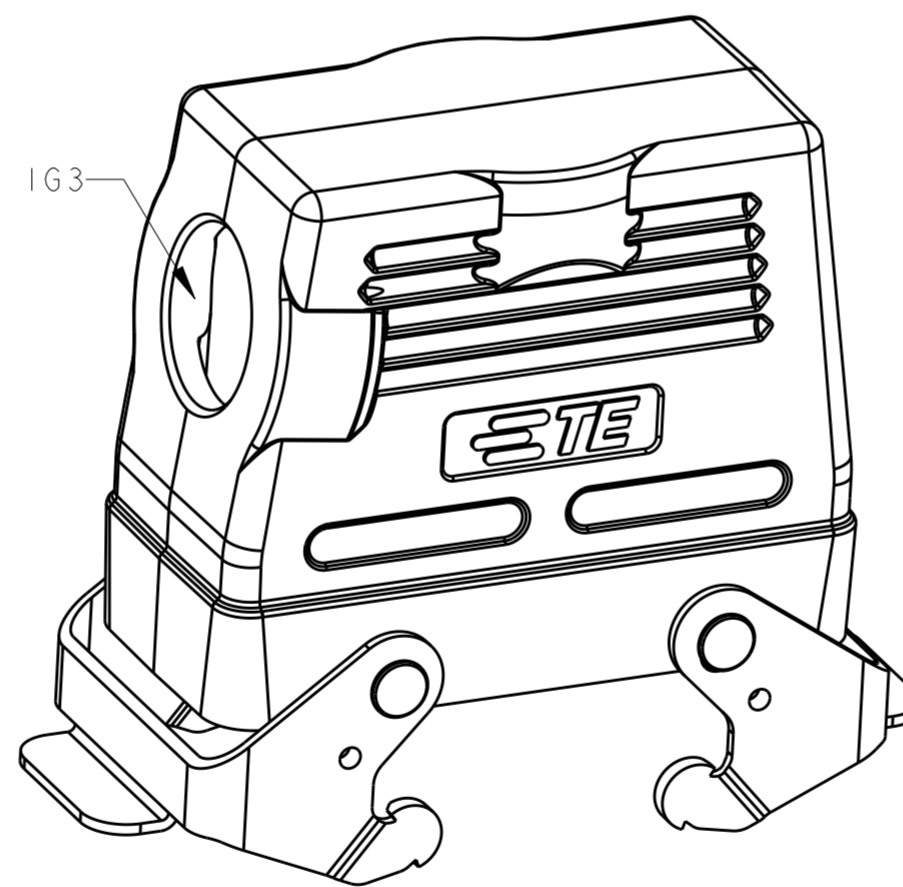
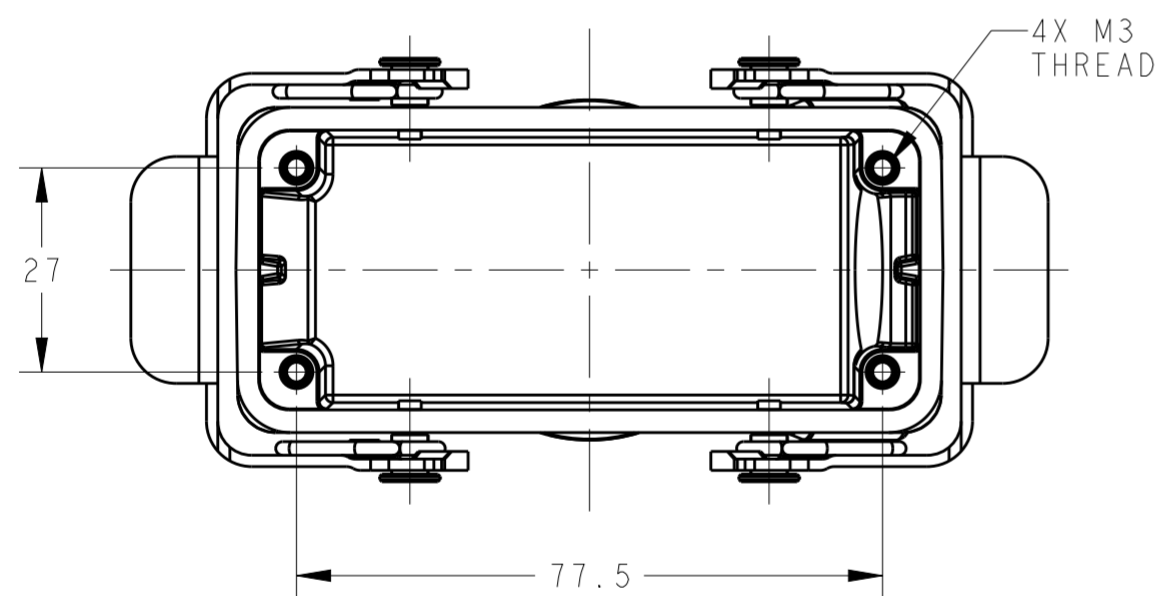
REVISIONS				
P	LTR	DESCRIPTION	DATE	APVD
	A	INITIAL	29MAY2015	DW CW



NOTES:  
SEE SHEET 1



TYPE 4: HIGH CONSTRUCTION, TOP ENTRY  
WITH STEEL LOCKING  
OTHER SPEC REFER TO TYPE 3



TYPE 3: HIGH CONSTRUCTION, SIDE ENTRY  
WITH STEEL LOCKING

T1270162121-000	TYPE 3	H16B-TSBH-PG21	PG21	-
T1270162125-000		H16B-TSBH-M25	M25	-
T1270162129-000		H16B-TSBH-PG29	PG29	-
T1270162132-000		H16B-TSBH-M32	M32	-
T1270162140-000		H16B-TSBH-M40	M40	-
T1280162121-000	TYPE 4	H16B-TGBH-PG21	-	PG21
T1280162125-000		H16B-TGBH-M25	-	M25
T1280162129-000		H16B-TGBH-PG29	-	PG29
T1280162132-000		H16B-TGBH-M32	-	M32
T1280162140-000		H16B-TGBH-M40	-	M40
PART NUMBER	TYPE	DESCRIPTION	IG3	IG4

THIS DRAWING IS A CONTROLLED DOCUMENT.		DWN David Wang 29MAY2015	<b>STE</b> TE Connectivity	
		CHK Chris Wang 29MAY2015		
		APVD Xiang Xu 29MAY2015	NAME H16B-TSB/TGB/TSBH/TGBH-M/PG	
DIMENSIONS: mm		PRODUCT SPEC 108-137013	SIZE CAGE CODE DRAWING NO RESTRICTED TO	
TOLERANCES UNLESS OTHERWISE SPECIFIED:		APPLICATION SPEC 114-137013	A200779 C-T12X01621XX000	
MATERIAL		WEIGHT	SCALE 1:1 SHEET 2 OF 2 REV A	
		Customer Drawing		