

# DMB and MDPL Key Switches



Momentary key switch for printed circuit board mounting.

**DMB**, momentary switch with rocker action, suitable for control keyboards:

- either in line: 15.24 mm (0.600) spacing
- or in keyboard: 15.24 × 20.32 mm (0.600 × 0.800) spacing.

This key switch uses the MD basic module (gold plated or silver plated). An illuminated version is also available (1 or 2 LED: red, green, yellow).

**MDPL**, illuminated disc key switch with rocker type button, positive tactile feedback, 1 or 2 LED mounting possible (red, green, yellow).

This key switch uses the MDP basic module (gold plated or silver plated).

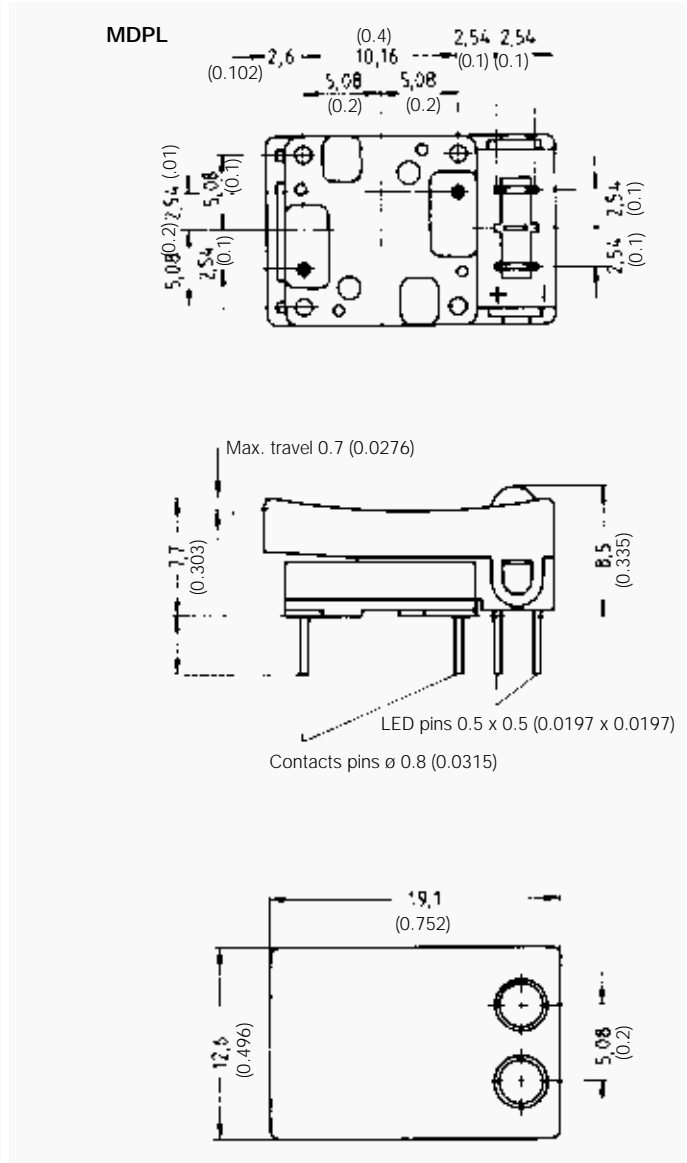
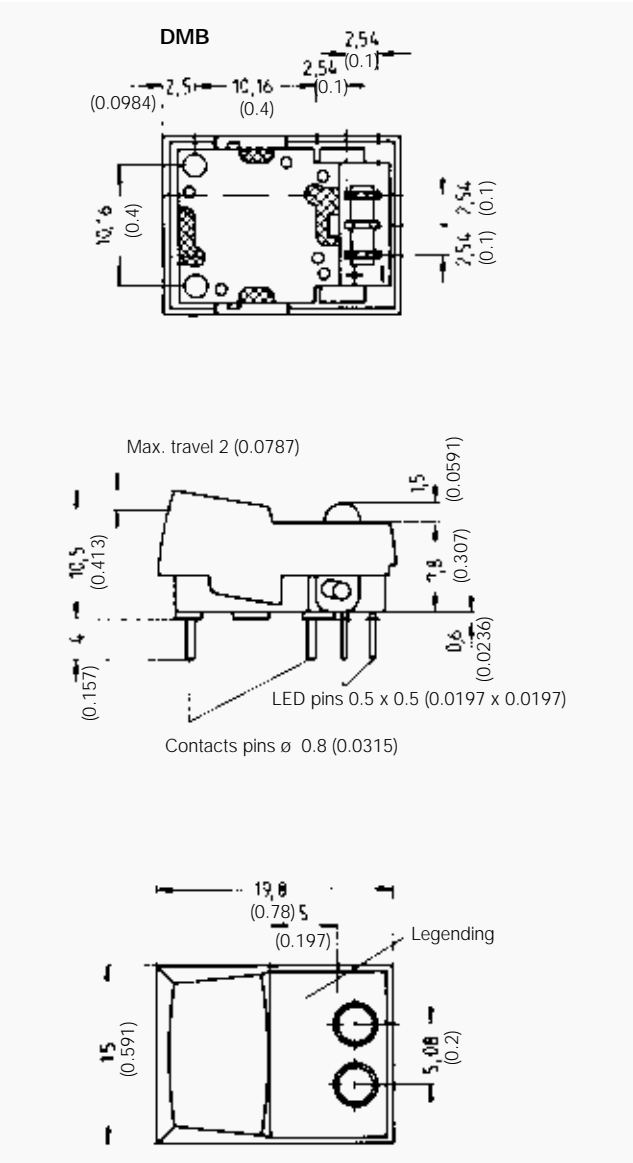
Can be used in line: 12.7 mm(0.500) spacing or in keyboard 12.7 × 20.32 mm (0.50 × 0.80) spacing.

<b>Construction</b>			
Function	Momentary		
Contact arrangement	1 make contact = SPST, NO		
Illumination	Optionally 1 or 2 LEDs		
Distance between button centers, min.	horizontal	DMB 15.24 (0.600)	
	vertical	MDPL 12.7 (0.500)	
Terminals	DMB and MDPL 20.32 (0.800)		
	PC pins		
<b>Electrical data</b>			
		silver	gold
Switching power max.		6 W AC/DC	3 W AC/DC
Switching voltage max.		100 V AC/DC	100 V AC/DC
Switching current max.		100 mA AC/DC	50 mA AC/DC
Dielectric strength (50 Hz/1 Min.)		300 V	300 V
Operating life with max. switching power	DMB	> 10 <sup>6</sup> operations	> 2 × 10 <sup>6</sup> operations
	MDPL	> 2 × 10 <sup>5</sup> operations	> 2 × 10 <sup>5</sup> operations
Contact resistance, initial		≦ 10 mΩ	≦ 15 mΩ
Insulation resistance		≧ 10 <sup>11</sup> Ω	≧ 10 <sup>11</sup> Ω
Contact bounce		≦ 100 μs	≦ 100 μs
<b>Mechanical data</b>			
		DMB	MDPL
Switching travel/total travel		1.5/2.0 (0.0591/0.0787)	0.6/0.7 (0.0236/0.0276)
Operating force		2N ± 25% (200 grams ± 25%)	2N ± 25% (200 grams ± 25%)
<b>Further data</b>			
Contact material	silver plated, gold plated		
Soldering by static bath	255°C for 5 s		
Operating temperature	– 25°C to + 70°C		
Storage temperature	– 40°C to + 85°C		
<b>LED data</b>			
Colors	Red	Green	Yellow
Direct current (mA)	20	25	25
Reverse voltage (V)	4	4	4
Direct voltage (at 20 mA)	2.1	2.1	2.1
Light intensity (mcd)	1.5	4	2.5
Max. soldering time at 230°C temperature (seconds)	5	5	5

Ordering code: see next page.

# DMB and MDPL Key Switches

## Dimensional Drawings



Ordering code		1	2	3	4	5	6
		<b>Example:</b> DMB	2	S	40-50	BTN	90
1	<b>Designation:</b> DMB, MDPL	→	↑	↑	↑	↑	↑
2	<b>LED:</b> 0 = without, 1 = 1 LED 2 = 2 LED	→	↑	↑	↑	↑	↑
3	<b>Contact material:</b> S = silver, G = gold	→	↑	↑	↑	↑	↑
4	<b>LED color:</b> 40 = red, 50 = green, 30 = yellow, 40-50 = red-green, 40-30 = red-yellow	→	↑	↑	↑	↑	↑
5	<b>Button:</b> BTN	→	↑	↑	↑	↑	↑
5	<b>Button color:</b> 00 = white, 20 = light grey, 30 = yellow, 40 = red, 50 = green, 60 = blue, 80 = ivory, 90 = black	→	↑	↑	↑	↑	↑