

**T SERIES**  
**IP 68 PUSH-PULL CONNECTORS**



# T series

T series connectors have been specifically designed for outdoor applications. They include an inner sleeve and seals to prevent penetration of solids or liquids. This series is watertight when mated to give a protection index of IP68 as per IEC 60529 standard and have the following main features:

- IP68 mated
- Push-Pull self-latching system
- Mechanical key (FGG) with multiple keys to avoid cross-mating
- High packing density for space savings
- 360° shielding for full EMC shielding
- Compatible with existing B sockets
- Same mounting hole as B sockets
- Black-chrome plated brass and plastic outershell available
- Multipole types 2 to 32 contacts
- For cables 1.0 up to 10.5 mm
- Solder, crimp or print contacts

## Technical Characteristics

Mechanical and Climatical	Value	Standard
Endurance	> 1000 cycles <sup>1)</sup>	IEC 60512-5 test 9a
Humidity	up to 95% at 60°C	–
Temperature range	-55°C, +200°C / (-20°C, +80°C) <sup>2)</sup>	–
Resistance to vibration	10-2000 Hz, 15 g	IEC 60512-4 test 6d
Shock resistance	100 g, 6 ms	IEC 60512-4 test 6c
Salt spray corrosion test	> 1000 h	IEC 60512-6 test 11f
Protection index (mated) <sup>3)</sup>	IP68/IP66	IEC 60529
Latching retention force (average value)	From 85 N up to 300 N (depending of the size)	–
Climatical category	50/175/21	IEC 60068-1

**Note:** <sup>1)</sup> Up to 5000 cycles for size 3T. <sup>2)</sup> operating temperature is -20°C, +80°C for watertight or vacuumtight models fitted with an FPM (Viton®) o-ring and Epoxy. <sup>3)</sup> IP68 achieved providing that the cable is perfectly circular and that assembly process ensures a high integrity seal.

Electrical	Value	Standard
Shielding efficiency	> 75 dB at 10 MHz / > 40 dB at 1 GHz	IEC 60169-1-3

## Material and Treatments

Outershell and collet nut		Latch sleeve/earthing crown		Other metallic components	
Material	Surface treatment	Material	Surface treatment	Material	Surface treatment
Brass	Chrome	Brass/Bronze	Nickel	Brass	Nickel
Brass	Black chrome	Brass/Bronze	Nickel	Brass	Nickel
POM	–	Brass/Bronze	Nickel	Brass	Nickel

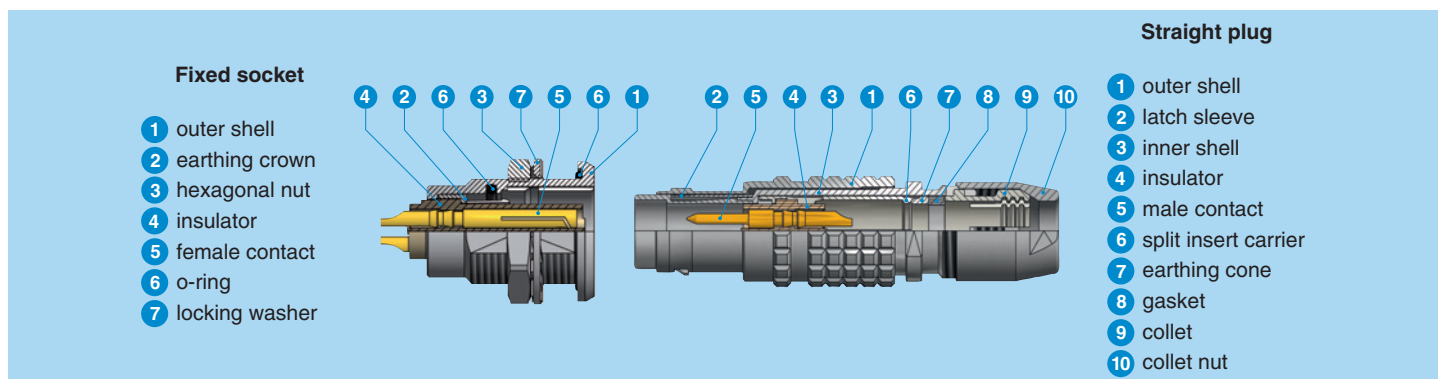
## Contacts

Material	Contact type
Brass (UNS C 34500)	Male contact
Bronze (UNS C 54400)	Female contact

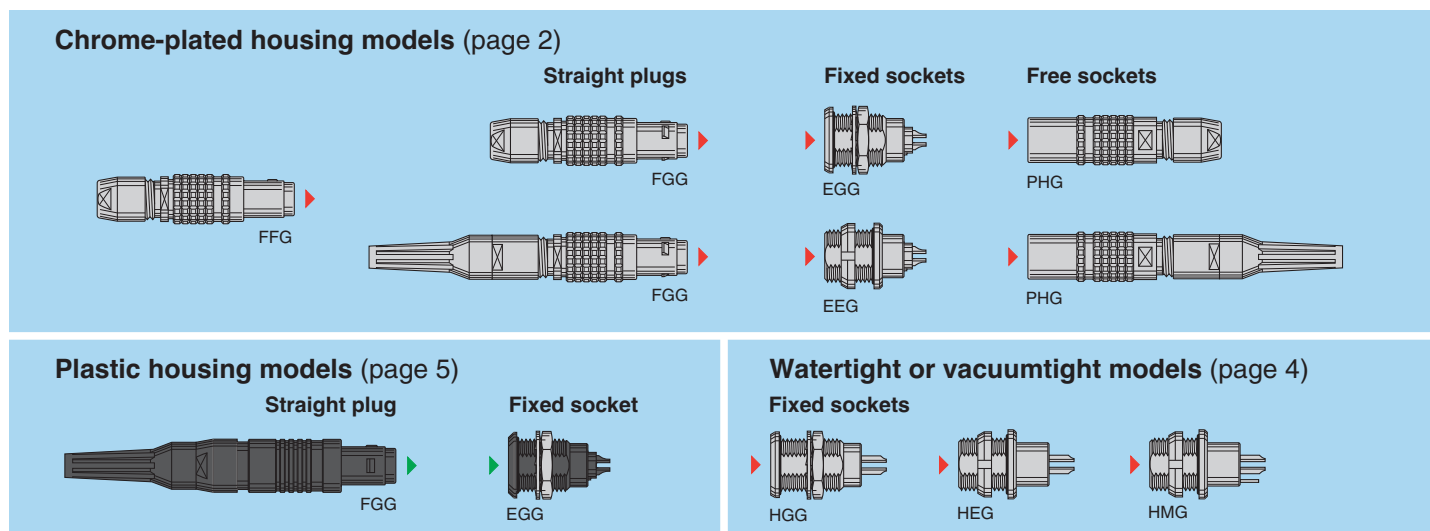
## Insulators

Material	Contact type
PEEK	Crimp, solder or print

## Part Section Showing Internal Components

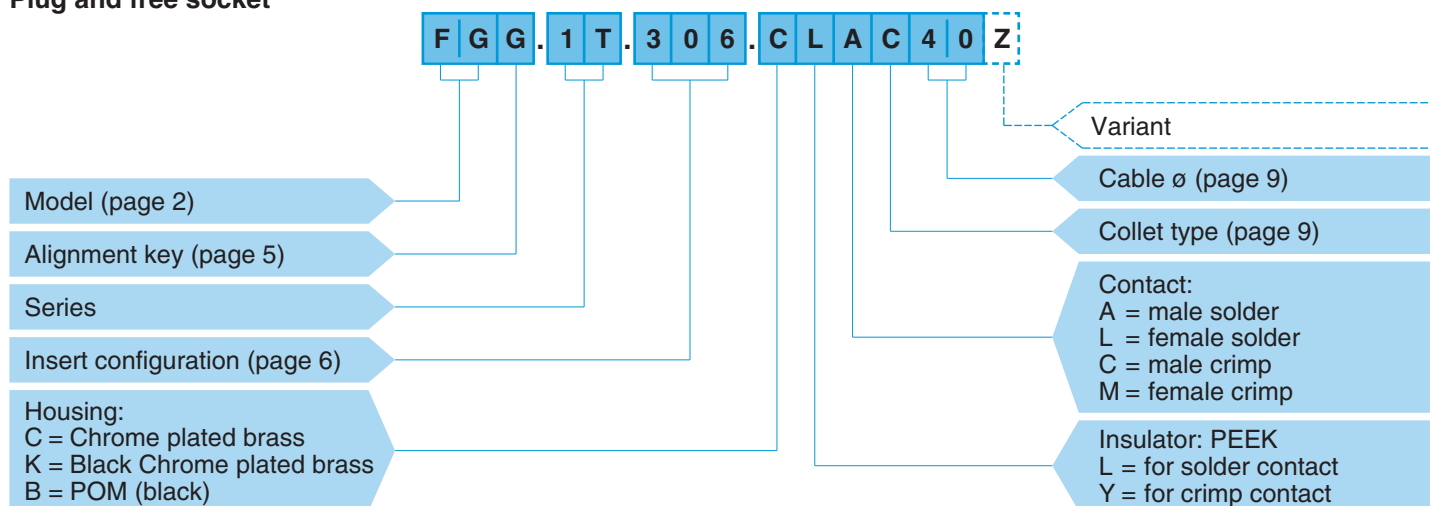


## Interconnections



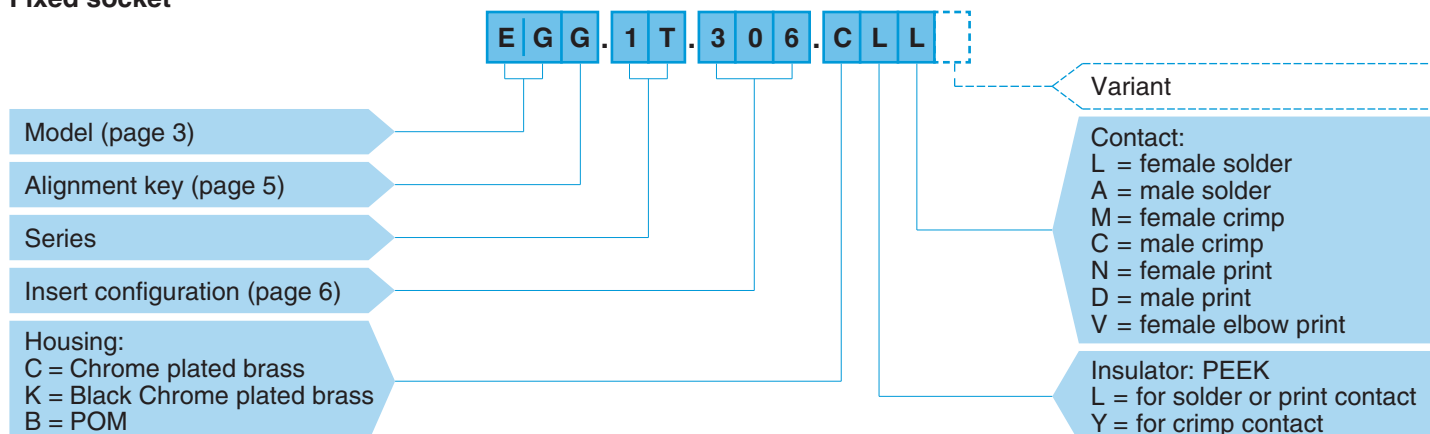
## Part Numbering System

### Plug and free socket



**FGG.1T.306.CLAC40Z** = Straight plug with key (G) and cable collet for bend relief, 1T series, multipole type with 6 contacts, outer shell in chrome-plated brass, PEEK insulator, male solder contacts, C type collet for 4.0 mm diameter cable and nut for fitting a bend relief.

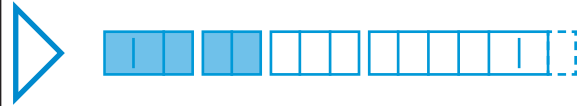
### Fixed socket



**EGG.1T.306.CLL** = fixed socket, nut fixing, with key (G), 1T series, multipole type with 6 contacts, outer shell in chrome-plated brass, PEEK insulator, female solder contacts.

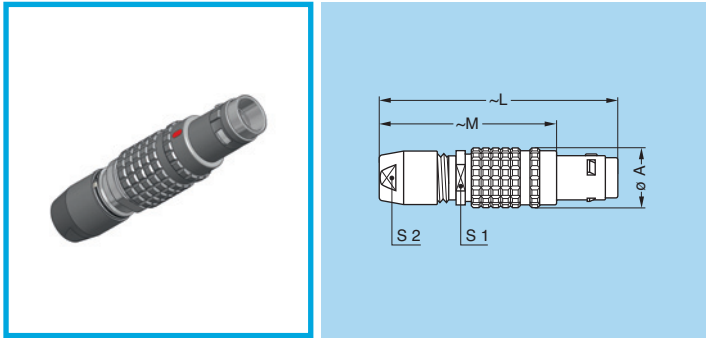
**DISCLAIMER** The information contained within this catalog and the functions offered are intended to provide information about products. All reasonable efforts have been made to ensure the accuracy of the information. However, LEMO cannot be held responsible for any errors. LEMO does not warrant the accuracy and reserves the right to make changes to the catalog and its functions at any time without notice.





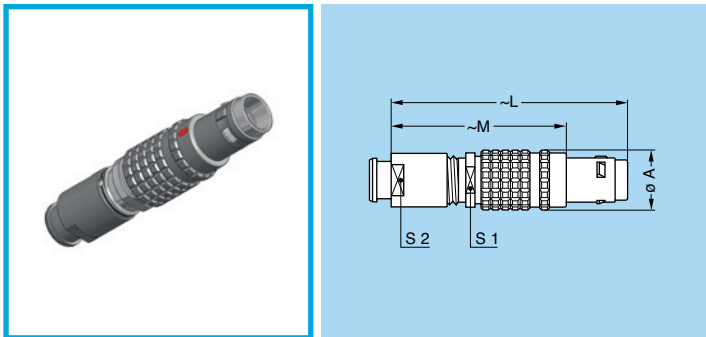
## Chrome-plated housing models

### FGG Straight plug, cable collet



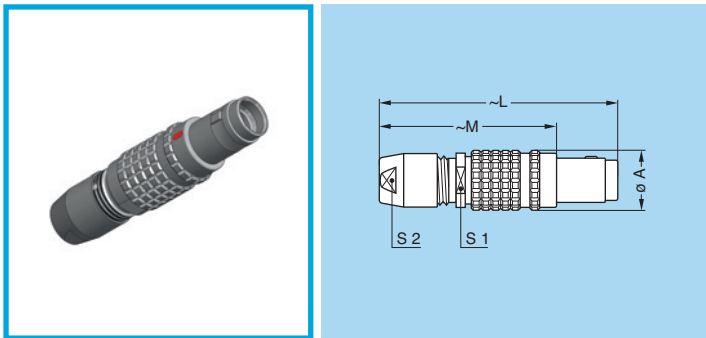
Reference		Dimensions (mm)					Cable $\phi$	
Model	Series	A	L	M	S1	S2	min.	max.
FGG	TT	7.0	33.2	25.2	5.5	5	2.4	3.0
FGG	0T	9.5	39.0	29.0	7.5	7	1.0	5.0
FGG	1T	12.0	46.0	35.0	11.0	9	1.3	6.5
FGG	2T	15.0	55.0	43.0	14.0	12	1.3	8.5
FGG	3T	18.8	64.0	49.0	16.0	14	2.6	10.5

### FGG Straight plug, cable collet and nut for fitting a bend relief



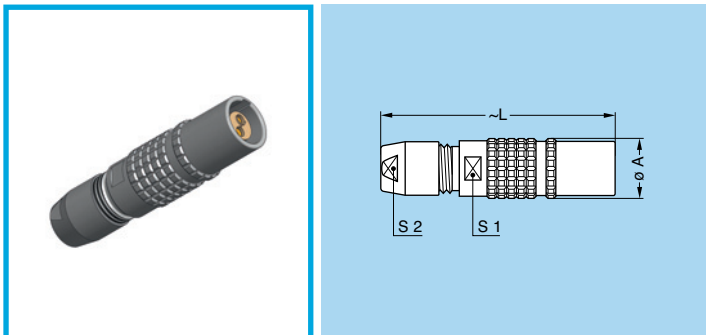
Reference		Dimensions (mm)					Cable $\phi$	
Model	Series	A	L	M	S1	S2	min.	max.
FGG	TT	7.0	32.7	24.7	5.5	6	2.4	3.0
FGG	0T	9.5	38.0	28.0	7.5	7	1.0	5.0
FGG	1T	12.0	45.0	34.0	11.0	9	1.3	6.5
FGG	2T	15.0	54.0	42.0	14.0	12	1.3	8.5
FGG	3T	18.8	62.0	47.0	16.0	15	2.6	10.5

### FFG Straight plug, non latching, cable collet



Reference		Dimensions (mm)					Cable $\phi$	
Model	Series	A	L	M	S1	S2	min.	max.
FFG	TT	7.0	33.2	25.2	5.5	5	2.4	3.0
FFG	0T	9.5	39.0	29.0	7.5	7	1.0	5.0
FFG	1T	12.0	46.0	35.0	11.0	9	1.3	6.5
FFG	2T	15.0	55.0	43.0	14.0	12	1.3	8.5
FFG	3T	18.8	64.0	49.0	16.0	14	2.6	10.5

### PHG Free socket, cable collet

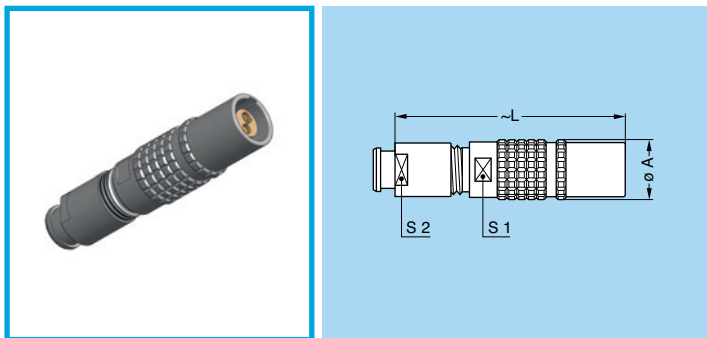


Reference		Dimensions (mm)				Cable $\phi$	
Model	Series	A	L	S1	S2	min.	max.
PHG	TT	7.0	32.0	5.5	5	2.4	3.0
PHG	0T	9.5	38.0	7.5	7	1.0	5.0
PHG	1T	12.0	43.5	11.0	9	1.3	6.5
PHG	2T	15.0	52.0	14.0	12	1.3	8.5
PHG	3T	18.8	61.5	16.0	14	2.6	10.5



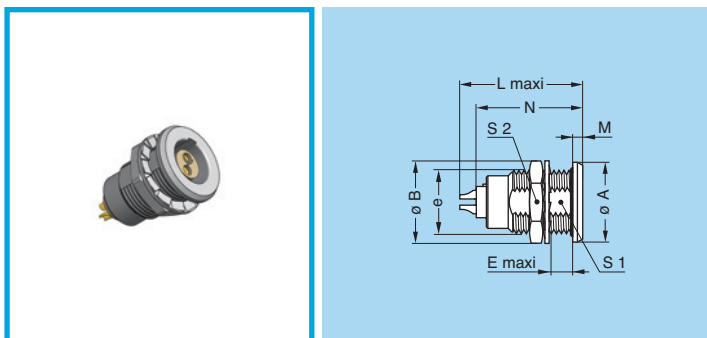


### PHG Free socket, cable collet and nut for fitting a bend relief



Reference		Dimensions (mm)				Cable $\varnothing$	
Model	Series	A	L	S1	S2	min.	max.
PHG	TT	7.0	31.5	5.5	6	2.4	3.0
PHG	0T	9.5	37.0	7.5	7	1.0	5.0
PHG	1T	12.0	42.5	11.0	9	1.3	6.5
PHG	2T	15.0	51.0	14.0	12	1.3	8.5
PHG	3T	18.8	60.0	16.0	15	2.6	10.5

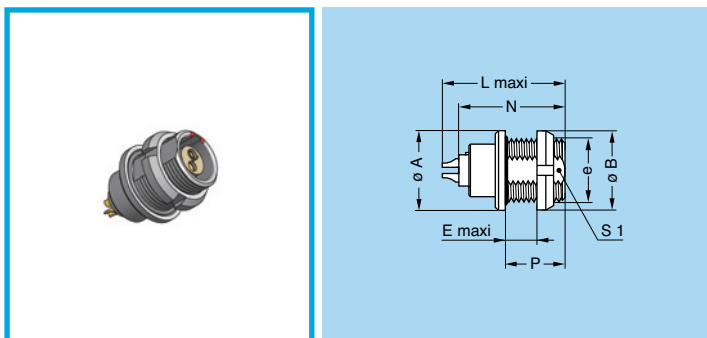
### EGG Fixed socket, nut fixing



Reference		Dimensions (mm)								
Model	Series	A	B	e	E	L	M	N <sup>1)</sup>	S1	S2
EGG	TT	10.0	10.2	M7x0.5	5.5	16.0	1.2	13.5	6.3	9
EGG	0T	12.0	12.5	M9x0.6	6.0	21.0	1.5	19.1	8.2	11
EGG	1T	15.5	16.0	M12x1.0	6.0	23.0	1.8	21.5	10.5	14
EGG	2T	18.5	19.6	M15x1.0	7.5	26.5	1.8	24.6	13.5	17
EGG	3T	23.5	25.1	M18x1.0	9.6	30.1	2.5	25.0	16.5	22

Note: <sup>1)</sup> maximum length with crimp contacts.

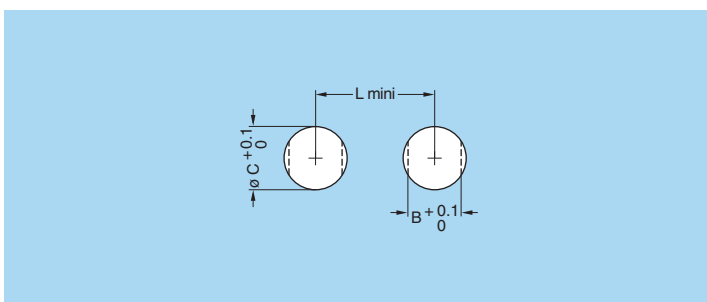
### EEG Fixed socket, nut fixing, back panel mounting



Reference		Dimensions (mm)								
Model	Series	A	B	e	E	L	N <sup>1)</sup>	P	S1	
EEG	TT	10.0	10.0	M7x0.5	4.5	16.0	13.5	7	6.3	
EEG	0T	12.0	12.0	M9x0.6	6.5	21.0	19.1	9	8.2	
EEG	1T	15.5	16.0	M12x1.0	6.5	23.0	21.5	10	10.5	
EEG	2T	18.5	20.0	M15x1.0	7.5	26.5	24.6	11	13.5	
EEG	3T	23.5	24.0	M18x1.0	7.5	30.1	25.0	12	16.5	

Note: <sup>1)</sup> maximum length with crimp contacts.

### Panel cut-out



Reference		Panel cut-out			Mounting nut torque	
Model	Series	B	C	L	Metal shell	Plastic shell
E●●	TT	6.4	7.1	12.5	1.0	0.4
E●●	0T	8.3	9.1	14.5	2.5	0.4
E●●	1T	10.6	12.1	18.5	4.5	0.7
E●●	2T	13.6	15.1	22.5	6.0	0.8
E●●	3T	16.6	18.1	27.0	9.0	1.0

**DISCLAIMER** The information contained within this catalog and the functions offered are intended to provide information about products. All reasonable efforts have been made to ensure the accuracy of the information. However, LEMO cannot be held responsible for any errors. LEMO does not warrant the accuracy and reserves the right to make changes to the catalog and its functions at any time without notice.



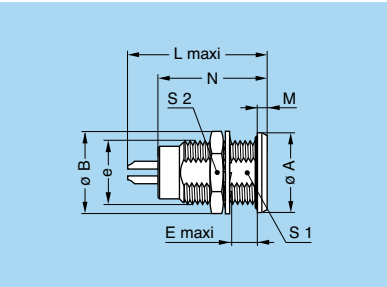
## Watertight or vacuumtight models

These models are identified by a letter «P» at the end of the reference. Most of these models are also available in a vacuumtight version. Such models are identified by an additional letter «V» at the end of the part number (certificate on request). Epoxy resin is used to seal these models. The temperature range is -20°C / +80°C.

### Part Number Example

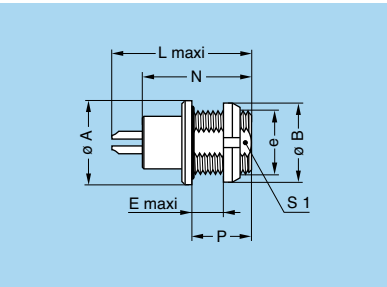
HGG.0T.305.CLLP (5 contacts, resin potted)  
HGG.0T.305.CLLPV (5 contacts, resin potted and vacuumtight tested)

### HGG Fixed socket, nut fixing, watertight or vacuumtight



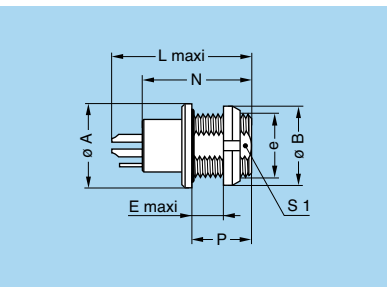
Reference		Dimensions (mm)								
Model	Series	A	B	e	E	L	M	N <sup>1)</sup>	S1	S2
HGG	TT	10.0	10.2	M7x0.5	5.5	18.0	1.2	15.0	6.3	9
HGG	0T	12.0	12.5	M9x0.6	6.5	22.0	1.5	18.5	8.2	11
HGG	1T	15.5	16.0	M12x1.0	6.0	26.0	1.8	21.5	10.5	14
HGG	2T	18.5	19.6	M15x1.0	8.0	30.5	1.8	25.0	13.5	17

### HEG Fixed socket, nut fixing, watertight or vacuumtight, back panel mounting



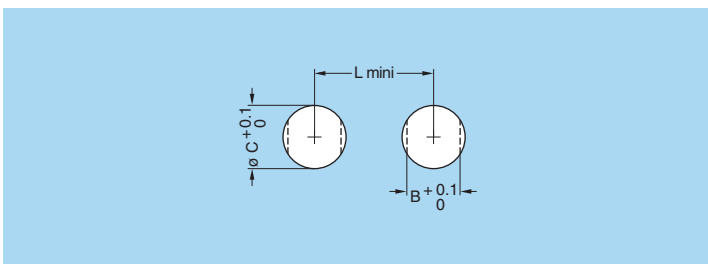
Reference		Dimensions (mm)							
Model	Series	A	B	e	E	L	N	P	S1
HEG	TT	10.0	10.0	M7x0.5	4.5	18.0	15.0	7	6.3
HEG	0T	12.0	12.0	M9x0.6	6.5	22.0	18.5	9	8.2
HEG	1T	15.5	16.0	M12x1.0	6.5	26.0	21.5	10	10.5
HEG	2T	18.5	20.0	M15x1.0	7.5	30.5	25.0	11	13.5

### HMG Fixed socket with earthing tag, nut fixing, watertight or vacuumtight, back panel mounting



Reference		Dimensions (mm)							
Model	Series	A	B	e	E	L	N	P	S1
HMG	TT	10.0	10.0	M7x0.5	4.5	18.0	15.0	7	6.3
HMG	0T	12.0	12.0	M9x0.6	6.5	22.0	18.5	9	8.2
HMG	1T	15.5	16.0	M12x1.0	6.5	26.0	21.5	10	10.5
HMG	2T	18.5	20.0	M15x1.0	7.5	30.5	25.0	11	13.5

### Panel cut-out



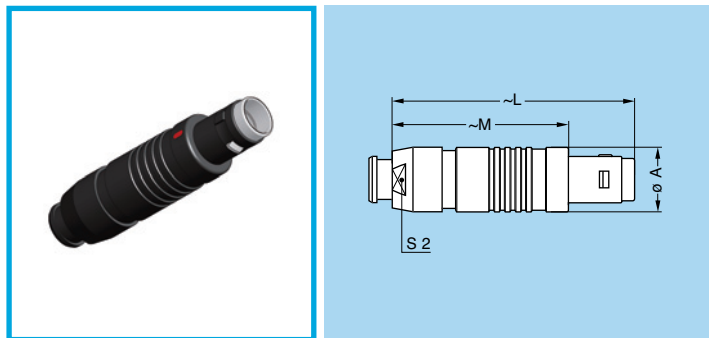
Reference		Panel cut-out			Mounting nut torque	
Model	Series	B	C	L	Metal shell	Plastic shell
H●●	TT	6.4	7.1	12.5	1.0	0.4
H●●	0T	8.3	9.1	14.5	2.5	0.4
H●●	1T	10.6	12.1	18.5	4.5	0.7
H●●	2T	13.6	15.1	22.5	6.0	0.8

**DISCLAIMER** The information contained within this catalog and the functions offered are intended to provide information about products. All reasonable efforts have been made to ensure the accuracy of the information. However, LEMO cannot be held responsible for any errors. LEMO does not warrant the accuracy and reserves the right to make changes to the catalog and its functions at any time without notice.



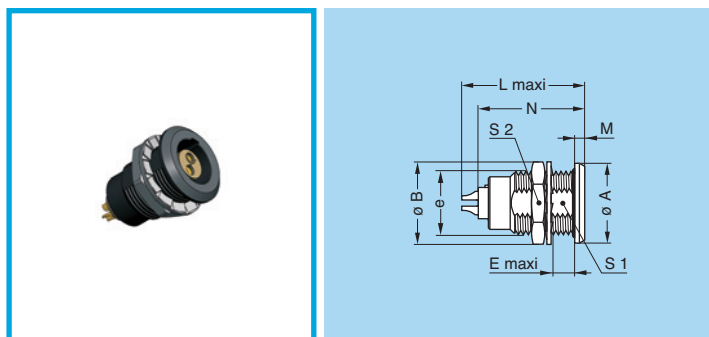
## Plastic housing models

### FGG Straight plug, cable collet and nut for fitting a bend relief, POM outer shell



Reference		Dimensions (mm)				Cable $\phi$	
Model	Series	A	L	M	S2	min.	max.
FGG	0T	9.7	38.5	28.5	8	1.0	5.0
FGG	1T	13.0	45.0	34.0	10	1.3	6.5

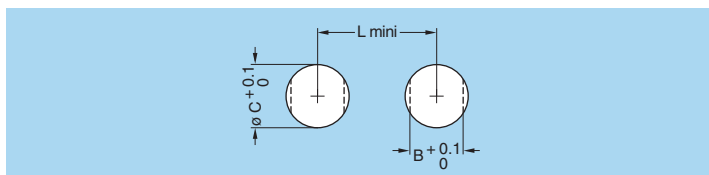
### EGG Fixed socket, nut fixing, POM outer shell



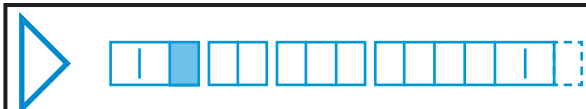
Reference		Dimensions (mm)								
Model	Series	A	B	e	E	L	M	N <sup>1)</sup>	S1	S2
EGG	0T	12.0	12.5	M9x0.6	6.0	21.0	1.5	19.1	8.2	11
EGG	1T	15.5	16.0	M12x1.0	6.0	23.0	1.8	21.5	10.5	14

Note: <sup>1)</sup> maximum length with crimp contacts.

### Panel cut-out



Reference		Panel cut-out		
Model	Series	B	C	L
E●	0T	8.3	9.1	14.5
E●	1T	10.6	12.1	18.5



## Alignment Key

	Key	Contact type	
		Plug	Socket
	G	male	female
	A	male	female
	D	male	female
	L	female	male

**DISCLAIMER** The information contained within this catalog and the functions offered are intended to provide information about products. All reasonable efforts have been made to ensure the accuracy of the information. However, LEMO cannot be held responsible for any errors. LEMO does not warrant the accuracy and reserves the right to make changes to the catalog and its functions at any time without notice.



# Insert configurations

## Multipole

	Solder contacts		Reference	Series	Contact ø (mm)	Contact type				AWG			Solder contact		Rated current (A)
	Crimp contacts					Solder	Crimp	Print (straight)	Print (elbow)	Solder (max.)	Crimp		Test voltage (kV rms) Contact-contact	Test voltage (kV rms) Contact-shell	
											min.	max.			
2			302	TT	0.5	●	●	●		30	32	28	1.00	0.95	5.0
				0T	0.9	●	●	●	●	22	32	20	1.00	1.05	10.0
				1T	1.3	●	●	●	●	20	26	18	1.50	1.35	15.0
				2T	2.0	●	●	●	●	16	18	12	2.10	1.75	25.0
				3T	3.0	●	●			12	14	10	2.10	1.55	35.0
3			303	TT	0.5	●	●	●		30	32	28	0.80	0.95	3.0
				0T	0.9	●	●	●	●	22	32	20	1.20	0.90	8.0
				1T	1.3	●	●	●	●	20	26	18	1.30	1.55	12.0
				2T	1.6	●	●	●	●	18	22	14	2.40	1.85	17.0
				3T	2.0	●	●	●		16	18	12	1.90	1.50	25.0
4			304	TT	0.5	●	●	●		30	32	28	0.80	0.65	2.0
				0T	0.7	●	●	●	●	22	32	22	0.85	0.70	7.0
				1T	0.9	●	●	●	●	22	32	20	1.35	1.45	10.0
				2T	1.3	●	●	●	●	20	26	18	1.85	1.85	15.0
				3T	2.0	●	●	●	●	16	18	12	1.45	1.25	19.0
5			305	TT	0.35	●		●		30			0.75	1.00	1.7
				0T	0.7	●	●	●	●	22	32	22	1.00	0.70	6.5
				1T	0.9	●	●	●	●	22	32	20	1.25	1.15	9.0
				2T	1.3	●	●	●	●	20	26	18	1.75	1.60	14.0
				3T	1.6	●	●	●		18	22	14	1.90	1.25	19.0
6			306	TT	0.35	●				30			0.60	0.75	1.5
				0T	0.5	●	○ <sup>1)</sup>	●	●	28			0.85	0.65	2.5
				1T	0.7	●	●	●	●	22	32	22	1.05	1.20	7.0
6			306	2T	1.3	●	●	●	●	20	26	18	1.35	1.45	12.0
				3T	1.6	●	●	●	●	18	22	14	1.60	1.15	17.0

Note: <sup>1)</sup> available only for connectors fitted with male contacts.

● First choice alternative ○ Special order alternative

DISCLAIMER The information contained within this catalog and the functions offered are intended to provide information about products. All reasonable efforts have been made to ensure the accuracy of the information. However, LEMO cannot be held responsible for any errors. LEMO does not warrant the accuracy and reserves the right to make changes to the catalog and its functions at any time without notice.



## Multipole

	Solder contacts		Reference	Series	Contact ø (mm)	Contact type				AWG		Solder contact		Rated current (A)	
						Solder	Crimp	Print (straight)	Print (elbow)	Solder (max.)	Crimp		Test voltage (kV rms) Contact-contact		Test voltage (kV rms) Contact-shell
											min.	max.			
7			307	0T	0.5	●	○ <sup>1)</sup>	●	●	28			0.80	0.70	2.5
				1T	0.7	●	●	●	●	22	32	22	0.95	1.05	7.0
				2T	1.3	●	●	●	●	20	26	18	1.75	1.60	11.0
				3T	1.6	●	●	●		18	22	14	1.70	1.25	15.0
8			308	1T	0.7	●	●	●	●	22	32	22	0.95	1.15	5.0
8			308	2T	0.9	●	●	●	●	22	32	20	1.50	1.25	10.0
				3T	1.3	●	●	●	●	20	26	18	1.65	1.15	13.0
9			309	0T	0.5	●	○ <sup>1)</sup>	●	●	28			0.60	0.50	2.0
				3T	8x1.3 1x2.0	●	●	●		20 16	26 18	18 12	1.35	1.05	6.0 15.0
10			310	1T	0.5	●	○ <sup>1)</sup>	●	●	28			0.90	1.50	2.5
				2T	0.9	●	●	●	●	22	32	20	1.45	1.30	8.0
				3T	1.3	●	●	●	●	20	26	18	1.25	0.90	12.0
12			312	0T	0.35	●		●		30			0.80	1.00	1.5
12			312	2T	0.7	●	●	●	●	22	32	22	1.25	1.35	7.0
				3T	0.9	●	●	●	●	22	32	20	1.45	1.00	9.0

Note: <sup>1)</sup> available only for connectors fitted with male contacts.

● First choice alternative

○ Special order alternative

**DISCLAIMER** The information contained within this catalog and the functions offered are intended to provide information about products. All reasonable efforts have been made to ensure the accuracy of the information. However, LEMO cannot be held responsible for any errors. LEMO does not warrant the accuracy and reserves the right to make changes to the catalog and its functions at any time without notice.

# Multipole

	Solder contacts		Reference	Series	Contact ø (mm)	Contact type				AWG			Solder contact		Rated current (A)
	Crimp contacts					Solder	Crimp	Print (straight)	Print (elbow)	Solder (max.)	Crimp		Test voltage (kV rms) Contact-contact	Test voltage (kV rms) Contact-shell	
											min.	max.			
14			314	1T	0.5	●		●	●	28			0.80	1.20	2.0
				2T	0.7	●	●	●	●	22	32	22	1.15	1.35	6.5
				3T	0.9	●	●	●	●	22	32	20	1.20	1.20	9.0
16			316	1T	0.5	●		●		28			0.80	1.25	1.5
				2T	0.7	●	●	●	●	22	32	22	0.95	1.25	6.0
16			316	3T	0.9	●	●	●	●	22	32	20	1.20	0.85	8.0
				2T	0.7	●	●	●	●	22	32	22	0.95	1.25	6.0
18			318	2T	0.7	●	●	●	●	22	32	22	0.85	1.20	5.5
				3T	0.9	●	●	●	●	22	32	20	1.20	1.05	7.0
19			319	2T	0.7	●	●	●	●	22	32	22	0.95	1.25	5.0
				3T	0.9	●	●	●	●	22	32	20	1.20	1.05	7.0
20			320	2T	0.7	●	●	●	●	22	32	22	0.95	1.25	5.0
				3T	0.9	●	●	●	●	22	32	20	1.20	1.05	7.0
22			322	2T	0.7	●	●	●	●	22	32	22	0.95	1.25	5.0
				3T	0.9	●	●	●	●	22	32	20	1.20	1.05	7.0
24			324	2T	0.7	●	●	●	●	22	32	22	0.95	1.25	5.0
				3T	0.9	●	●	●	●	22	32	20	1.20	1.05	7.0
26			326	2T	0.5	●		●		28			0.95	1.30	2.0
				3T	0.7	●	●	●	●	22	32	22	0.95	0.70	4.0

● First choice alternative    ○ Special order alternative

**DISCLAIMER** The information contained within this catalog and the functions offered are intended to provide information about products. All reasonable efforts have been made to ensure the accuracy of the information. However, LEMO cannot be held responsible for any errors. LEMO does not warrant the accuracy and reserves the right to make changes to the catalog and its functions at any time without notice.



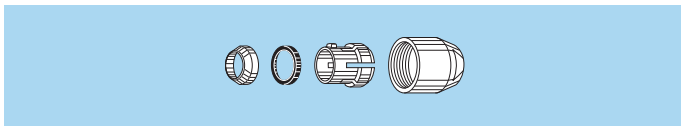


## Multipole

	Solder contacts		Reference	Series	Contact $\phi$ (mm)	Contact type				AWG		Solder contact		Rated current (A)	
						Solder	Crimp	Print (straight)	Print (elbow)	Solder (max.)	Crimp		Test voltage (kV rms) Contact-contact		Test voltage (kV rms) Contact-shell
											min.	max.			
<b>30</b>			<b>330</b>	3T	0.7	●	●	●	●	22	32	22	0.80	0.70	3.5
<b>32</b>			<b>332</b>	2T	0.5	●		●		28			0.80	1.20	1.5

● First choice alternative    ○ Special order alternative

## Collets



	Type	Cable $\phi$ (mm)		Type	Cable $\phi$ (mm)		Type	Cable $\phi$ (mm)		Type	Cable $\phi$ (mm)				
		min.	max.		min.	max.		min.	max.		min.	max.			
<b>TT</b>	<b>C27</b>	2.4	2.6	<b>1T</b>	<b>C15</b>	1.3	1.5	<b>2T</b>	<b>C15</b>	1.3	1.5	<b>3T</b>	<b>C30</b>	2.6	3.0
	<b>C31</b>	2.7	3.0		<b>C20</b>	1.6	2.0		<b>C20</b>	1.6	2.0		<b>C35</b>	3.1	3.5
<b>OT</b>	<b>C10</b>	1.0	1.2	<b>C25</b>	2.1	2.5	<b>C25</b>	2.1	2.5	<b>C40</b>	3.6	4.0			
	<b>C15</b>	1.3	1.5	<b>C30</b>	2.6	3.0	<b>C30</b>	2.6	3.0	<b>C45</b>	4.1	4.5			
	<b>C20</b>	1.6	2.0	<b>C35</b>	3.1	3.5	<b>C35</b>	3.1	3.5	<b>C50</b>	4.6	5.0			
	<b>C25</b>	2.1	2.5	<b>C40</b>	3.6	4.0	<b>C40</b>	3.6	4.0	<b>C55</b>	5.1	5.5			
	<b>C30</b>	2.6	3.0	<b>C45</b>	4.1	4.5	<b>C45</b>	4.1	4.5	<b>C60</b>	5.6	6.0			
	<b>C35</b>	3.1	3.5	<b>C50</b>	4.6	5.0	<b>C50</b>	4.6	5.0	<b>C65</b>	6.1	6.5			
	<b>C40</b>	3.6	4.0	<b>C55</b>	5.1	5.5	<b>C55</b>	5.1	5.5	<b>C70</b>	6.6	7.0			
	<b>C45</b>	4.1	4.5	<b>C60</b>	5.6	6.0	<b>C60</b>	5.6	6.0	<b>C75</b>	7.1	7.5			
	<b>C50</b>	4.6	5.0	<b>C65</b>	6.1	6.5	<b>C65</b>	6.1	6.5	<b>C80</b>	7.6	8.0			
							<b>C70</b>	6.6	7.0	<b>C85</b>	8.1	8.5			
						<b>C75</b>	7.1	7.5	<b>C90</b>	8.6	9.0				
						<b>C80</b>	7.6	8.0	<b>C95</b>	9.1	9.5				
						<b>C85</b>	8.1	8.5	<b>C10</b>	9.6	10.0				
									<b>C11</b>	10.1	10.5				

**DISCLAIMER** The information contained within this catalog and the functions offered are intended to provide information about products. All reasonable efforts have been made to ensure the accuracy of the information. However, LEMO cannot be held responsible for any errors. LEMO does not warrant the accuracy and reserves the right to make changes to the catalog and its functions at any time without notice.

## Spare parts for crimp contacts

	Types	Insulator part number		ø (mm)		F.Ø.	Cond. AWG		Contact part number		
		Male contact	Female contact	A	C		min.	max.	Male	Female	
<b>TT</b>	<b>302/303/304</b>	FGG.00.30●.YL	EGG.00.40●.YL	0.5	0.45	1	32	28	FGG.00.554.ZZC	EGG.00.654.ZZM	
<b>OT</b>	<b>302/303</b>	FGG.0B.30●.YL	EGG.0B.40●.YL	0.9		1.10	1	24	20	FGG.0B.560.ZZC	EGG.0B.660.ZZM
						0.80	2	26	22	FGG.0B.561.ZZC	EGG.0B.661.ZZM
						0.45	2	32	28	FGG.0B.562.ZZC	EGG.0B.662.ZZM
	<b>304/305</b>	FGG.0B.30●.YL	EGG.0B.40●.YL	0.7		0.80	1	26	22	FGG.0B.555.ZZC	EGG.0B.655.ZZM
					0.45	2	32	28	FGG.0B.556.ZZC	EGG.0B.656.ZZM	
<b>306/307/309</b>	FGG.0B.30●.YL	–	0.5	0.45	1	32	28	FGG.0B.554.ZZC	–		
<b>1T</b>	<b>302/303</b>	FGG.1B.30●.YL	EGG.1B.40●.YL	1.3		1.40	1	20	18	FGG.1B.565.ZZC	EGG.1B.665.ZZM
						1.10	2	24	20	FGG.1B.566.ZZC	EGG.1B.666.ZZM
	<b>304/305</b>	FGG.1B.30●.YL	EGG.1B.40●.YL	0.9		1.10	1	24	20	FGG.1B.560.ZZC	EGG.1B.660.ZZM
						0.80	2	26	22	FGG.1B.561.ZZC	EGG.1B.661.ZZM
	<b>306/307/308</b>	FGG.1B.30●.YL	EGG.1B.40●.YL	0.7		0.80	1	26	22	FGG.1B.555.ZZC	EGG.1B.655.ZZM
						0.45	2	32	28	FGG.1B.556.ZZC	EGG.1B.656.ZZM
	<b>310/314/316</b>	FGG.1B.3●●.YL	–	0.5	0.45	1	32	28	FGG.1B.554.ZZC	–	
	<b>2T</b>	<b>302</b>	FGG.2B.302.YL	EGG.2B.402.YL	2.0		2.40	1	16	12	FGG.2B.575.ZZC
1.90							2	18	14	FGG.2B.576.ZZC	EGG.2B.676.ZZM
<b>303</b>		FGG.2B.303.YL	EGG.2B.403.YL	1.6		1.90	1	18	14	FGG.2B.570.ZZC	EGG.2B.670.ZZM
						1.40	2	22	18	FGG.2B.571.ZZC	EGG.2B.671.ZZM
<b>304/305 306/307</b>		FGG.2B.30●.YL	EGG.2B.40●.YL	1.3		1.40	1	20	18	FGG.2B.565.ZZC	EGG.2B.665.ZZM
						1.10	2	24	20	FGG.2B.566.ZZC	EGG.2B.666.ZZM
						0.80	2	26	22	FGG.2B.567.ZZC	EGG.2B.667.ZZM
<b>308/310</b>		FGG.2B.3●●.YL	EGG.2B.4●●.YL	0.9		1.10	1	24	20	FGG.2B.560.ZZC	EGG.2B.660.ZZM
						0.80	2	26	22	FGG.2B.561.ZZC	EGG.2B.661.ZZM
						0.45	2	32	28	FGG.2B.562.ZZC	EGG.2B.662.ZZM
<b>312/314/316 318/319</b>		FGG.2B.3●●.YL	EGG.2B.4●●.YL	0.7		0.80	1	26	22	FGG.2B.555.ZZC	EGG.2B.655.ZZM
						0.45	2	32	28	FGG.2B.556.ZZC	EGG.2B.656.ZZM
<b>3T</b>	<b>302</b>	FGG.3B.302.YL	EGG.3B.402.YL	3.0	3.20	1	14	10	FGG.3B.580.ZZC	EGG.3B.680.ZZM	
	<b>303/304/309</b>	FGG.3B.30●.YL <sup>1)</sup>	EGG.3B.40●.YL <sup>1)</sup>	2.0		2.40	1	16	12	FGG.3B.575.ZZC	EGG.3B.675.ZZM
						1.90	2	18	14	FGG.3B.576.ZZC	EGG.3B.676.ZZM
	<b>305/306/307</b>	FGG.3B.30●.YL	EGG.3B.40●.YL	1.6		1.90	1	18	14	FGG.3B.570.ZZC	EGG.3B.670.ZZM
						1.40	2	22	18	FGG.3B.571.ZZC	EGG.3B.671.ZZM
	<b>308/309/310</b>	FGG.3B.3●●.YL <sup>1)</sup>	EGG.3B.4●●.YL <sup>1)</sup>	1.3		1.40	1	20	18	FGG.3B.565.ZZC	EGG.3B.665.ZZM
						1.10	2	24	20	FGG.3B.566.ZZC	EGG.3B.666.ZZM
	<b>312/314 316/318</b>	FGG.3B.3●●.YL	EGG.3B.4●●.YL	0.9		1.10	1	24	20	FGG.3B.560.ZZC	EGG.3B.660.ZZM
						0.80	2	26	22	FGG.3B.561.ZZC	EGG.3B.661.ZZM
						0.45	2	32	28	FGG.3B.562.ZZC	EGG.3B.662.ZZM
	<b>320/322/324 326/330</b>	FGG.3B.3●●.YL	EGG.3B.4●●.YL	0.7		0.80	1	26	22	FGG.3B.555.ZZC	EGG.3B.655.ZZM
						0.45	2	32	28	FGG.3B.556.ZZC	EGG.3B.656.ZZM

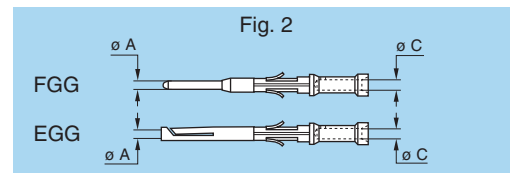
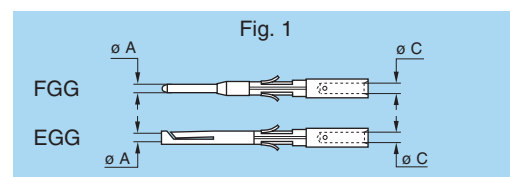
**Note:** <sup>1)</sup> for 309 type the insulator part number is FGG.3B.309.ML (male contact) and EGG.3B.409.ML (female contact).

## Spare parts for crimp contacts

	Types	Positioners part number		Extractors part number for male/female contacts
		Male contact	Female contact	
<b>TT</b>	<b>302/303/304</b>	DCE.91.050.0VC	DCE.91.050.0VM	DCF.91.050.2LT
<b>OT</b>	<b>302/303</b>	DCE.91.090.BVC	DCE.91.090.BVM	DCF.91.090.2LT
		DCE.91.090.AVC	DCE.91.090.AVM	
	<b>304/305</b>	DCE.91.070.BVC	DCE.91.070.BVM	DCF.92.070.3LT
	<b>306/307/309</b>	DCE.91.050.BVC	DCE.91.050.BVM	DCF.91.050.2LT
<b>1T</b>	<b>302/303</b>	DCE.91.131.BVC	DCE.91.131.BVM	DCF.91.131.2LT
	<b>304/305</b>	DCE.91.091.BVC	DCE.91.091.BVM	DCF.91.090.2LT
	<b>306/307/308</b>	DCE.91.071.BVC	DCE.91.071.BVM	DCF.91.070.2LT
	<b>310/314/316</b>	DCE.91.051.BVC	DCE.91.051.BVM	DCF.91.050.2LT
<b>2T</b>	<b>302</b>	DCE.91.202.BVCM		DCC.91.202.5LA <sup>2)</sup>
	<b>303</b>	DCE.91.162.BVCM		DCF.91.162.2LT
	<b>304/305 306/307</b>	DCE.91.132.BVC	DCE.91.132.BVM	DCF.91.131.2LT
		DCE.91.132.CVC	DCE.91.132.CVM	
	<b>308/310</b>	DCE.91.092.BVC	DCE.91.092.BVM	DCF.91.090.2LT
		DCE.91.092.AVC	DCE.91.092.AVM	
<b>312/314/316 318/319</b>	DCE.91.072.BVC	DCE.91.072.BVM	DCF.91.070.2LT	
<b>3T</b>	<b>302</b>	DCE.91.303.BVCM		DCF.91.303.5LT
	<b>303/304/309</b>	DCE.91.203.BVCM		DCC.91.202.5LA <sup>2)</sup>
	<b>305/306/307</b>	DCE.91.163.BVCM		DCF.91.163.5LT
	<b>308/309/310</b>	DCE.91.133.BVC	DCE.91.133.BVM	DCF.91.133.5LT
	<b>312/314 316/318</b>	DCE.91.093.BVC	DCE.91.093.BVM	DCF.91.093.5LT
		DCE.91.093.BVG	DCE.91.093.BVU	
<b>320/322/324 326/330</b>	DCE.91.073.BVC	DCE.91.073.BVM	DCF.91.073.5LT	

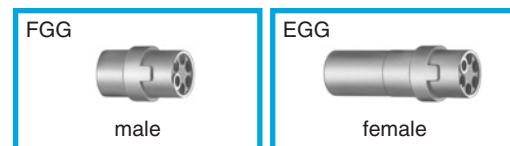
**Note:** <sup>2)</sup> this model is thumb-operated.

### FGG-EGG Crimp contacts



**Note:** a wide variation of strand number and diameter combinations are quoted as being AWG, some of which do not have a large enough cross section to guarantee a crimp as per either MIL-C-22520/1-01 or /7-01.

### FGG-EGG Insulators



**Note:** each insulator can be used both for crimp contacts of normal shape (fig. 1) or with reduced solder cups (fig. 2).

### DCE Positioners $\varnothing$ 0.5, 0.7, 0.9, 1.3 mm



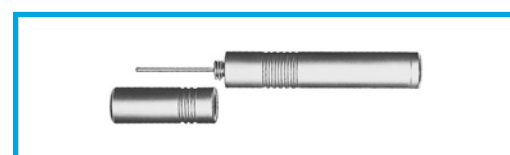
These positioners are suitable for use with both manual and pneumatic crimping tools according to the MIL-C-22520/7-01 standard.

### DCE Turret for $\varnothing$ 1.6, 2.0, 3.0, 4.0 mm



**Note:** these turrets can be used with manual crimping tool according to MIL-C-22520/1-01 standard.

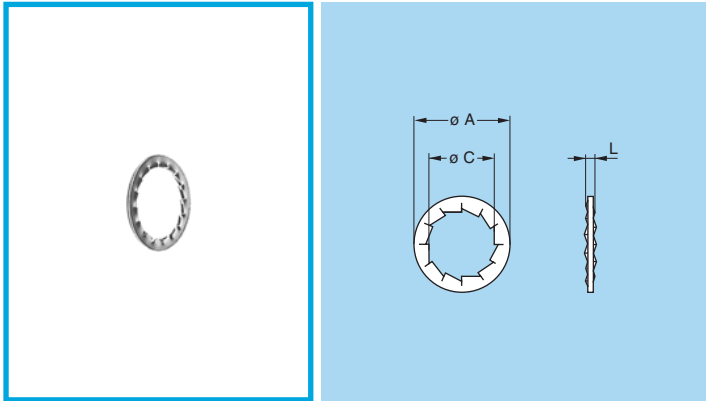
### DCF Automatic extraction tools





## Spare parts

### GBA Locking washers

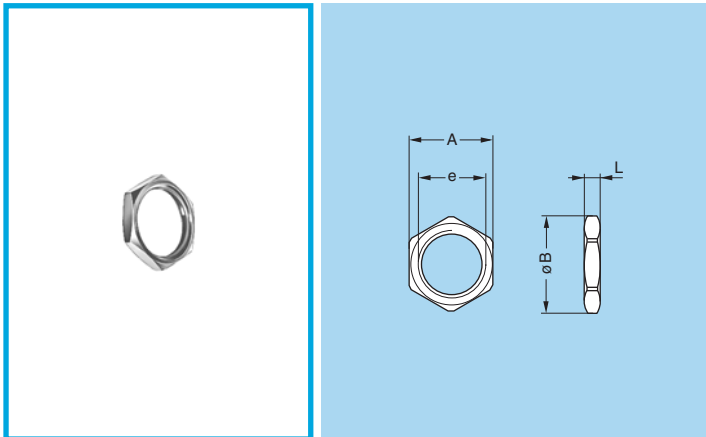


Part number	Series	Dimensions (mm)		
		A	C	L
<b>GBA.00.250.FN</b>	TT	9.5	7.1	1.0
<b>GBA.0S.250.FN</b>	0T	12.5	9.1	1.0
<b>GBA.1S.250.FN</b>	1T	16.0	12.1	1.0
<b>GBA.2S.250.FN</b>	2T	19.5	15.1	1.2
<b>GBA.3S.250.FN</b>	3T	25.0	18.1	1.4

**Note:** to order this accessory separately, use the above part numbers.

- Material: Nickel-plated bronze (3  $\mu\text{m}$ )

### GEA Hexagonal nuts

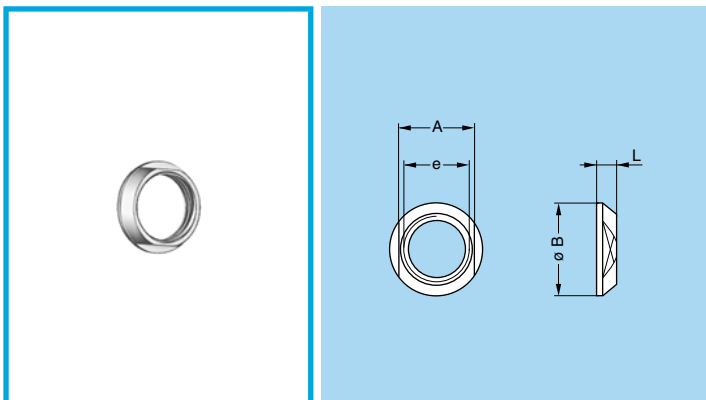


Part number	Series	Dimensions (mm)			
		A	B	e	L
<b>GEA.00.240.LN</b>	TT	9	10.2	M7 x 0.5	2.0
<b>GEA.0S.240.LN</b>	0T	11	12.4	M9 x 0.6	2.0
<b>GEA.1S.240.LN</b>	1T	14	15.8	M12 x 1.0	2.5
<b>GEA.2S.240.LN</b>	2T	17	19.2	M15 x 1.0	2.7
<b>GEA.3S.240.LN</b>	3T	22	25.0	M18 x 1.0	3.0

**Note:** to order this part separately, use the above part numbers. The last letters «LN» of the part number refer to the nut material and treatment. If a nut in aluminium alloy or stainless steel is desired, replace the last letters of the part number by «PT» or «AZ» respectively. See page 17 for the tooling.

- Material: Nickel-plated brass (3  $\mu\text{m}$ ), Natural anodized aluminium alloy, Stainless steel

### GEC Conical nuts

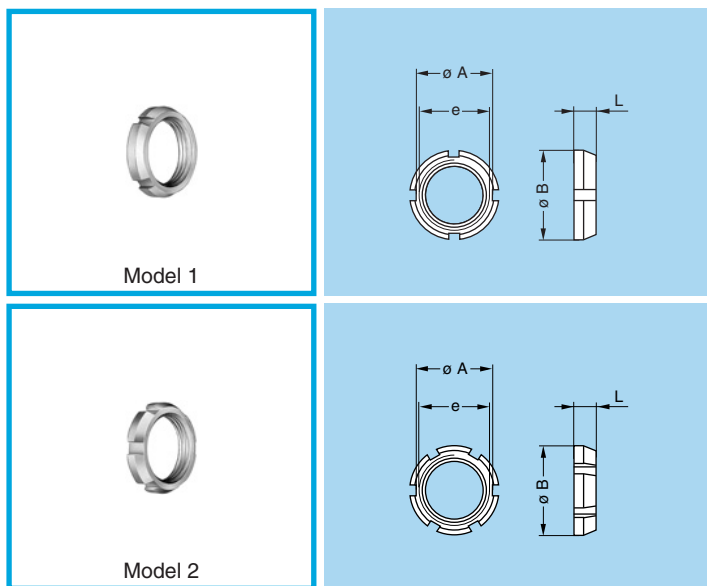


Part number	Series	Dimensions (mm)			
		A	B	e	L
<b>GEC.00.240.LC</b>	TT	8	10	M7 x 0.5	2.5
<b>GEC.0S.240.LC</b>	0T	10	12	M9 x 0.6	2.5
<b>GEC.1S.240.LC</b>	1T	13	16	M12 x 1.0	3.2
<b>GEC.2S.240.LC</b>	2T	17	20	M15 x 1.0	3.8
<b>GEC.3S.240.LC</b>	3T	20	24	M18 x 1.0	4.5

**Note:** 3T series fixed and free sockets for back panel mounting are always delivered with a conical nut. To order this accessory separately, use the above part numbers. See page 17 for the tooling.

- Material: Chrome-plated brass (Ni 3  $\mu\text{m}$  + Cr 0.3  $\mu\text{m}$ )

## GEG Notched nuts



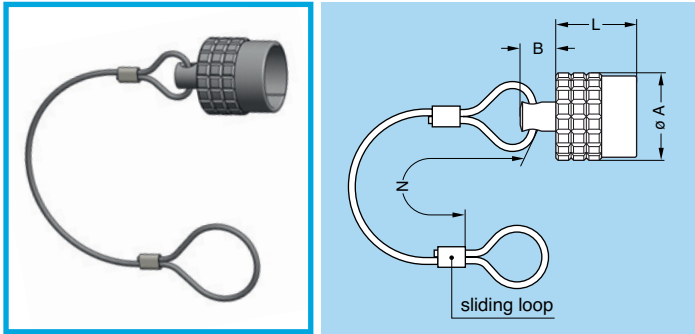
Part number	Series	Dimensions (mm)				Model
		A	B	e	L	
<b>GEG.00.240.LC</b>	TT	8.6	10	M7 x 0.5	2.5	1
<b>GEG.0S.240.LC</b>	0T	10.5	12	M9 x 0.6	2.5	1
<b>GEG.1S.240.LC</b>	1T	14.0	16	M12 x 1.0	3.5	1
<b>GEG.2S.240.LC</b>	2T	17.5	20	M15 x 1.0	3.5	2

**Note:** TT, 0T, 1T and 2T series fixed and free sockets for back panel mounting are always delivered with this notched nut. To order this accessory separately, use the above part numbers. See page 18 for the tooling.

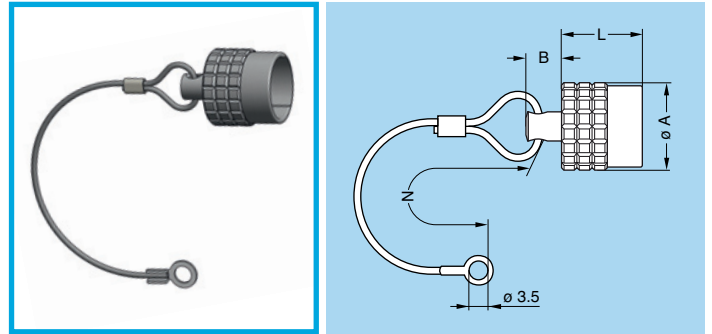
- Material: Chrome-plated brass (Ni 3  $\mu\text{m}$  + Cr 0.3  $\mu\text{m}$ )

# Accessories

## BFG Blanking caps for plugs



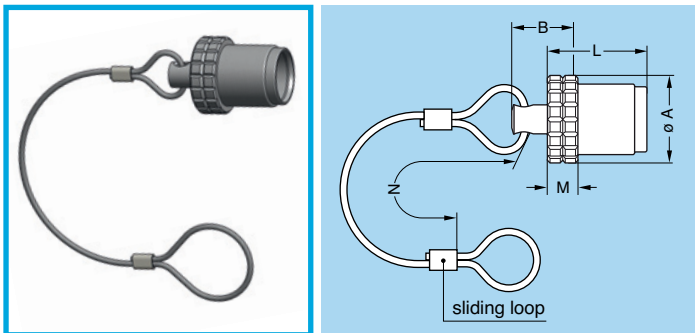
## BHG Blanking caps for fixed plugs



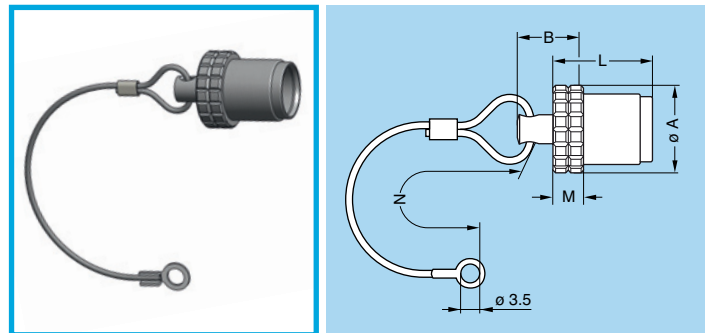
Part number	Dimensions (mm)				Part number
	A	B	L	N	
<b>BFG.TT.100.CAS</b>	7.0	4.0	9.0	60	<b>BHG.TT.100.CAS</b>
<b>BFG.0T.100.CAS</b>	9.5	5.0	11.0	85	<b>BHG.0T.100.CAS</b>
<b>BFG.1T.100.CAS</b>	12.0	6.0	12.4	85	<b>BHG.1T.100.CAS</b>
<b>BFG.2T.100.CAS</b>	15.0	6.0	13.8	85	<b>BHG.2T.100.CAS</b>
<b>BFG.3T.100.CAS</b>	18.8	6.0	17.6	120	<b>BHG.3T.100.CAS</b>

- Body material: Chrome-plated brass (Ni 3  $\mu$ m)
- Lanyard material: Stainless steel
- Crimp ferrule material: Nickel-plated brass + polyolefin
- O-ring material: Silicone
- Maximum operating temperature: 135°C
- Watertightness: IP68 according to IEC 60529

## BRF Blanking caps for free sockets



## BRE Blanking caps for sockets

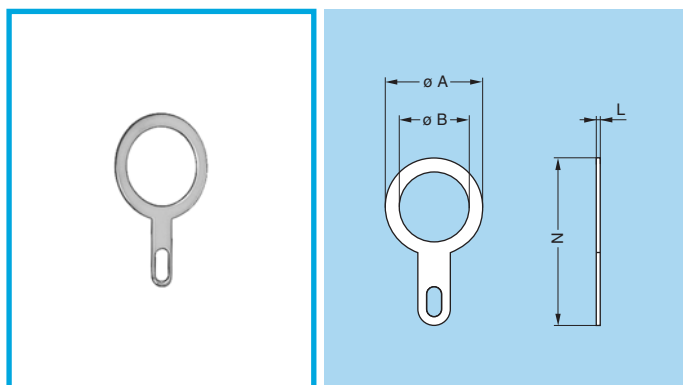


Part number	Dimensions (mm)					Part number
	A	B	L	M	N	
<b>BRF.TT.200.CAZ</b>	7.0	6.5	10.5	2.5	60	<b>BRE.TT.200.CAZ</b>
<b>BRF.0T.200.CAZ</b>	9.5	7.7	12.7	2.7	85	<b>BRE.0T.200.CAZ</b>
<b>BRF.1T.200.CAZ</b>	12.0	9.5	14.4	3.5	85	<b>BRE.1T.200.CAZ</b>
<b>BRF.2T.200.CAZ</b>	15.0	10.4	16.3	4.4	85	<b>BRE.2T.200.CAZ</b>
<b>BRF.3T.200.CAZ</b>	18.8	11.4	20.2	5.4	120	<b>BRE.3T.200.CAZ</b>

- Body material: Chrome-plated brass (Ni 3  $\mu$ m)
- Lanyard material: Stainless steel
- Crimp ferrule material: Nickel-plated brass + polyolefin
- Maximum operating temperature: 135°C
- Watertightness: IP68 according to IEC 60529



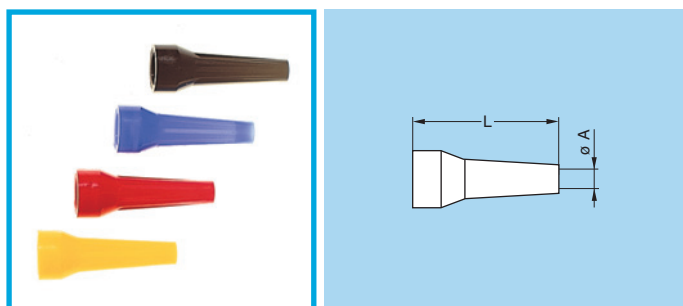
## GCA Earthing washers



Part number	Series	Dimensions (mm)			
		A	B	L	N
<b>GCA.00.255.LT</b>	TT	9.5	7.1	0.4	18.2
<b>GCA.0S.255.LT</b>	0T	13.0	9.1	0.4	22.0
<b>GCA.1S.255.LT</b>	1T	17.0	12.2	0.5	27.5
<b>GCA.2S.255.LT</b>	2T	20.0	15.2	0.5	32.0
<b>GCA.3S.255.LT</b>	3T	25.0	18.2	0.5	39.0

● Material: CuSnZn plated brass (2  $\mu$ m)

## Bend relief (TPU)



A bend relief made from thermoplastic polyurethane elastomer can be fitted over LEMO plugs and sockets that are supplied with nut for fitting such bend relief.

They are available in nine different colours match with the GRA insulating washers.

Use the part numbers shown below to order this accessory separately.

	Part number	Bend relief		Cable $\phi$	
		A	L	min.	max.
<b>TT</b>	<b>GMB.00.025.DG</b>	2.5	22	2.5	2.8
	<b>GMB.00.028.DG</b>	2.8	22	2.8	3.1
	<b>GMB.00.032.DG</b>	3.2	22	3.2	3.5
	<b>GMD.00.025.DG</b>	2.5	22	2.5	2.8
	<b>GMD.00.028.DG</b>	2.8	22	2.8	3.1
	<b>GMD.00.032.DG</b>	3.2	22	3.2	3.5
<b>0T</b>	<b>GMA.0B.025.DG</b>	2.5	24	2.5	2.9
	<b>GMA.0B.030.DG</b>	3.0	24	3.0	3.4
	<b>GMA.0B.035.DG</b>	3.5	24	3.5	3.9
	<b>GMA.0B.040.DG</b>	4.0	24	4.0	4.4
	<b>GMA.0B.045.DG</b>	4.5	24	4.5	5.2
<b>1T</b>	<b>GMA.1B.025.DG</b>	2.5	30	2.5	2.9
	<b>GMA.1B.030.DG</b>	3.0	30	3.0	3.4
	<b>GMA.1B.035.DG</b>	3.5	30	3.5	3.9
	<b>GMA.1B.040.DG</b>	4.0	30	4.0	4.4
	<b>GMA.1B.045.DG</b>	4.5	30	4.5	4.9
	<b>GMA.1B.054.DG</b>	5.4	30	5.4	6.0
	<b>GMA.1B.065.DG</b>	6.5	30	6.5	7.0

	Part number	Bend relief		Cable $\phi$	
		A	L	min.	max.
<b>2T</b>	<b>GMA.2B.040.DG</b>	4.0	36	4.0	4.5
	<b>GMA.2B.045.DG</b>	4.5	36	4.5	5.0
	<b>GMA.2B.050.DG</b>	5.0	36	5.0	5.5
	<b>GMA.2B.060.DG</b>	6.0	36	6.0	6.5
	<b>GMA.2B.070.DG</b>	7.0	36	7.0	7.7
	<b>GMA.2B.080.DG</b>	7.8	36	7.8	8.8
<b>3T</b>	<b>GMA.3B.050.DG</b>	4.5	42	4.5	5.2
	<b>GMA.3B.060.DG</b>	6.0	42	6.0	6.9
	<b>GMA.3B.070.DG</b>	7.0	42	7.0	7.9
	<b>GMA.3B.080.DG</b>	8.0	42	8.0	8.9
	<b>GMA.3B.090.DG</b>	9.0	42	9.0	10.0

**Note:** all dimensions are in millimetres.

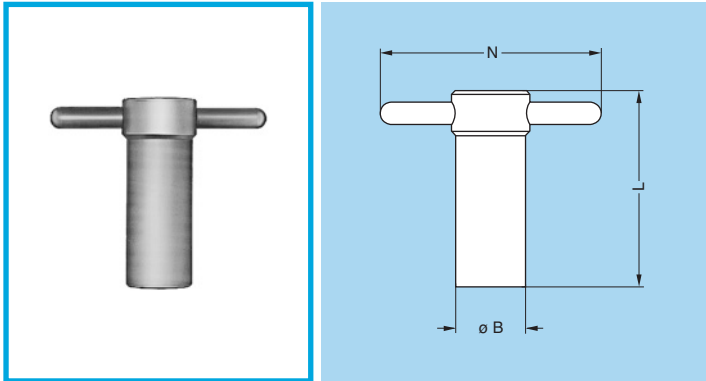
Ref.	Colour	Ref.	Colour	Ref.	Colour
<b>A</b>	blue	<b>J</b>	yellow	<b>R</b>	red
<b>B</b>	white	<b>M</b>	brown	<b>S</b>	orange
<b>G</b>	grey	<b>N</b>	black	<b>V</b>	green

**Note:** the last letter «G» of the part number indicates the grey colour of the bend relief. For ordering a bend relief with another colour, see table above and replace the letter «G» by the letter of the required colour.

**DISCLAIMER** The information contained within this catalog and the functions offered are intended to provide information about products. All reasonable efforts have been made to ensure the accuracy of the information. However, LEMO cannot be held responsible for any errors. LEMO does not warrant the accuracy and reserves the right to make changes to the catalog and its functions at any time without notice.

# Tooling

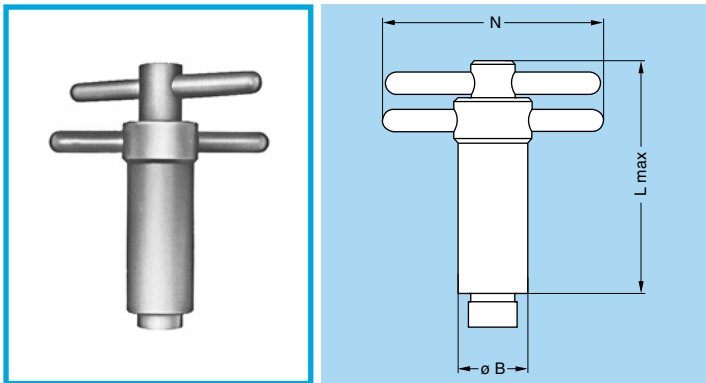
## DCG Spanners for hexagonal nuts



Part number	Series	Dimensions (mm)			Part number of the nut
		B	L	N	
<b>DCG.91.149.0TN</b>	TT	14	40	50	GEA.00.240.LN
<b>DCG.91.161.1TN</b>	0T	16	45	52	GEA.0S.240.LN
<b>DCG.91.201.4TN</b>	1T	20	52	65	GEA.1S.240.LN
<b>DCG.91.231.7TN</b>	2T	23	62	68	GEA.2S.240.LN
<b>DCG.91.282.2TN</b>	3T	28	76	73	GEA.3S.240.LN

● Material: blackened steel

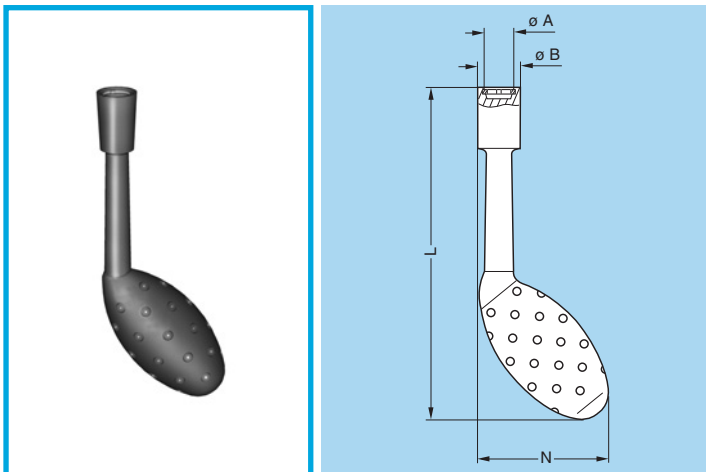
## DCA Spanners for hexagonal nuts with locator for flats on socket thread



Part number	Series	Dimensions (mm)			Part number of the nut
		B	L	N	
<b>DCA.91.149.0TN</b>	TT	14	65	50	GEA.00.240.LN
<b>DCA.91.161.1TN</b>	0T	16	73	52	GEA.0S.240.LN
<b>DCA.91.201.4TN</b>	1T	20	85	65	GEA.1S.240.LN
<b>DCA.91.231.7TN</b>	2T	23	100	68	GEA.2S.240.LN
<b>DCA.91.282.2TN</b>	3T	28	120	73	GEA.3S.240.LN

● Material: blackened steel

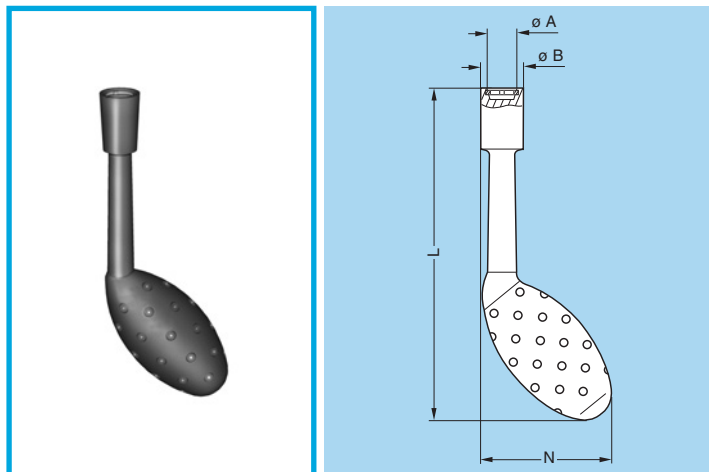
## DCH Spanners for conical nuts



Part number	Series	Dimensions (mm)				Part number of the nut
		A	B	L	N	
<b>DCH.91.101.PN</b>	TT	10.1	12.8	124	48.3	GEC.00.240.LC
<b>DCH.91.121.PN</b>	0T	12.1	14.8	124	49.3	GEC.0S.240.LC
<b>DCH.91.161.PN</b>	1T	16.1	21.0	124	51.9	GEC.1S.240.LC
<b>DCH.91.201.PN</b>	2T	20.1	22.8	129	53.5	GEC.2S.240.LC

● Material: dark grey polyurethane

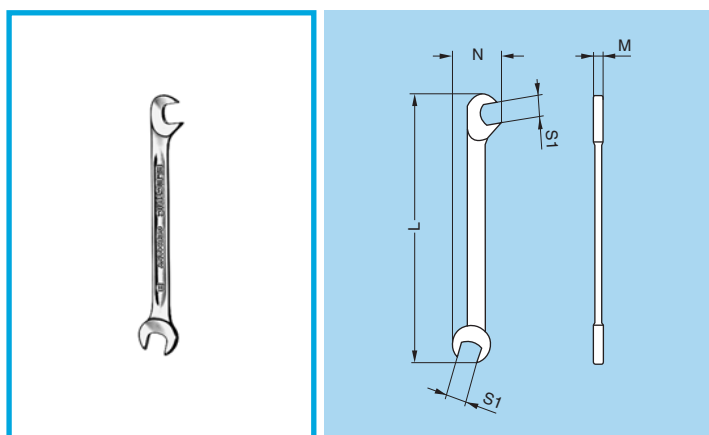
## DCH Spanners for notched nuts



Part number	Series	Dimensions (mm)				Part number of the nut
		A	B	L	N	
<b>DCH.91.101.PA</b>	TT	10.1	12.8	124	48.3	GEG.00.240.LC
<b>DCH.91.121.PA</b>	0T	12.1	14.8	124	49.3	GEG.0S.240.LC
<b>DCH.91.161.PA</b>	1T	16.1	21.0	124	51.9	GEG.1S.240.LC
<b>DCH.91.201.PA</b>	2T	20.1	22.8	129	53.5	GEG.2S.240.LC

● Material: blue polyurethane

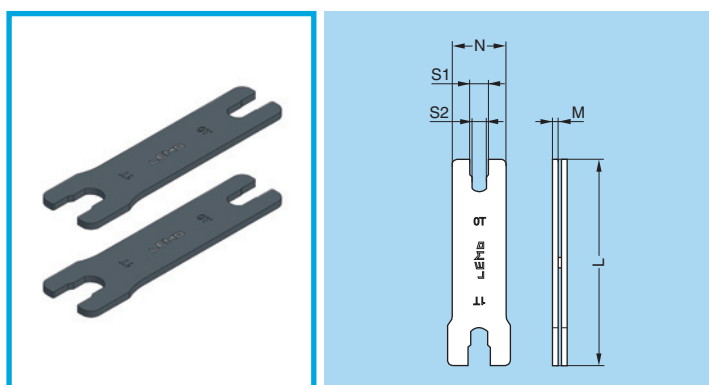
## DCP Flat spanners for collet nut



Part number	Series	Dimensions (mm)			
		L	M	N	S1
<b>DCP.99.050.TC</b>	TT	78	2	12.6	5.0
<b>DCP.99.055.TC</b>	TT	78	2	12.6	5.5
<b>DCP.99.060.TC</b>	TT	78	2	12.6	6.0

● Material: chrome-plated steel

## DCP Set of flat spanners for collet nuts



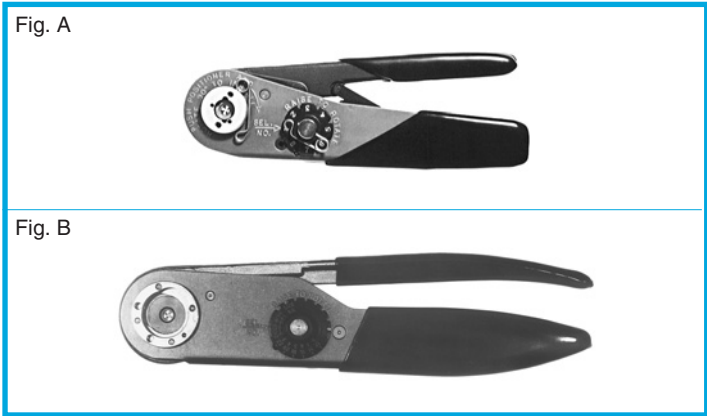
Part number	Series	Dimensions (mm)				
		L	M	N	S1	S2
<b>DCP.0T.110.TN</b>	0T	95	2.5	21	7.55	7.05
<b>DCP.0T.110.TN</b>	1T	95	2.5	25	11.05	9.05
<b>DCP.2T.110.TN</b>	2T	115	3.0	30	14.05	12.05
<b>DCP.2T.110.TN</b>	3T	115	3.0	35	16.05	14.05

● Material: blackened steel

**DISCLAIMER** The information contained within this catalog and the functions offered are intended to provide information about products. All reasonable efforts have been made to ensure the accuracy of the information. However, LEMO cannot be held responsible for any errors. LEMO does not warrant the accuracy and reserves the right to make changes to the catalog and its functions at any time without notice.

# Crimping tools for electrical contacts

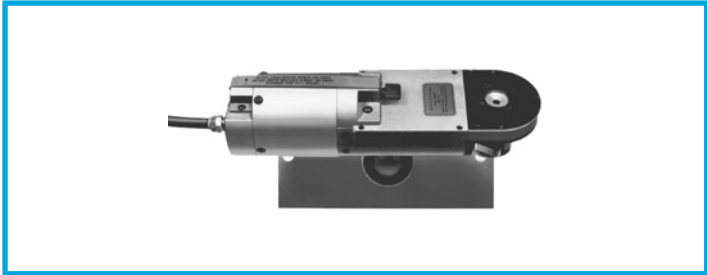
## Manual crimping tools



Part number		Supplier
contact $\varnothing$ 0.5-0.7 0.9-1.3 (Fig. A)	contact $\varnothing$ 1.6-2.0 (Fig. B)	
<b>DPC.91.701.V<sup>1)</sup></b>	<b>DPC.91.101.A<sup>2)</sup></b>	LEMO
<b>MH860<sup>1)</sup></b>	<b>AF8<sup>2)</sup></b>	DANIELS
<b>616336<sup>1)</sup></b>	<b>615708<sup>2)</sup></b>	ASTRO

1) According to specification MIL-C-22520/7-01.  
2) According to specification MIL-C-22520/1-01.

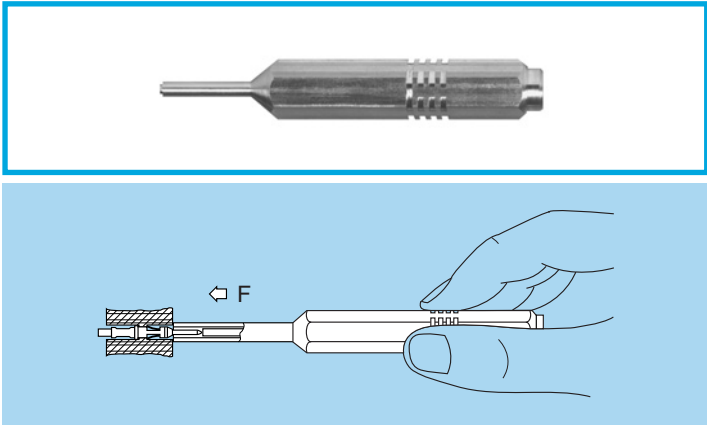
## Pneumatic crimping tools



Part number	Supplier
<b>DPC.91.701.C</b>	LEMO
<b>85230</b>	BALMAR
<b>621101</b>	BUCHANAN

According to specification MIL-C-22520/7-01.  
For LEMO contacts  $\varnothing$  0.5-0.7-0.9-1.3 mm

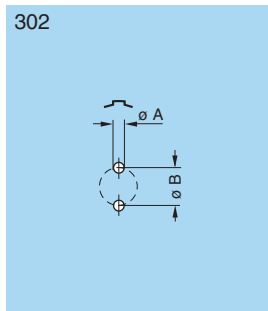
## DCK Retention testing tools for crimp contacts 0.5-0.7-0.9 and 1.3 mm diameter



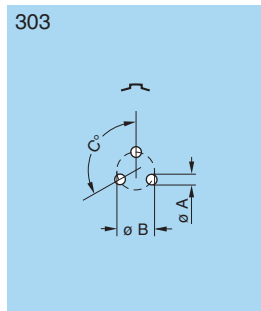
Testing tool part number		Contact $\varnothing$ A	Test force (N)
For male contact	For female contact		
<b>DCK.91.050.8LRC</b>	<b>DCK.91.050.8LRM</b>	0.5	8
<b>DCK.91.071.0LRC</b>	<b>DCK.91.071.0LRM</b>	0.7	10
<b>DCK.91.091.4LRC</b>	<b>DCK.91.091.4LRM</b>	0.9	14
<b>DCK.91.132.5LRC</b>	<b>DCK.91.132.5LRM</b>	1.3	25

# PCB drilling pattern

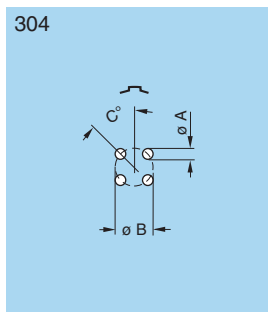
## Fixed socket with straight print contact



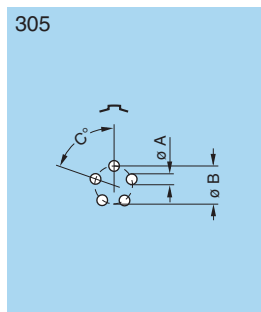
Series	Dimensions	
	A	B
<b>TT</b>	0.6	1.2
<b>0T</b>	0.8	2.2
<b>1T</b>	0.8	2.8
<b>2T</b>	0.8	4.4



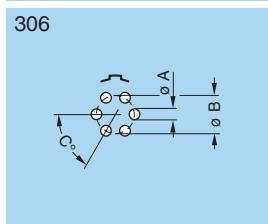
Series	Dimensions		
	A	B	C
<b>TT</b>	0.6	1.35	120°
<b>0T</b>	0.8	2.30	120°
<b>1T</b>	0.8	3.00	120°
<b>2T</b>	0.8	4.60	120°
<b>3T</b>	0.8	5.60	120°



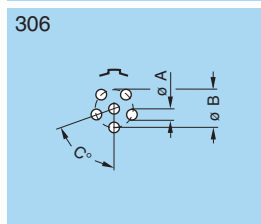
Series	Dimensions		
	A	B	C
<b>TT</b>	0.6	1.6	45°
<b>0T</b>	0.6	2.5	45°
<b>1T</b>	0.8	3.1	45°
<b>2T</b>	0.8	5.0	45°
<b>3T</b>	0.8	6.2	45°



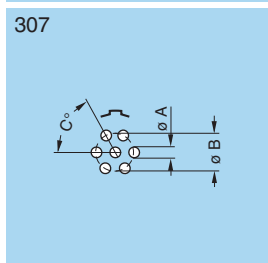
Series	Dimensions		
	A	B	C
<b>TT</b>	0.5	1.7	72°
<b>0T</b>	0.6	2.8	72°
<b>1T</b>	0.8	3.4	72°
<b>2T</b>	0.8	5.2	72°
<b>3T</b>	0.8	6.7	72°



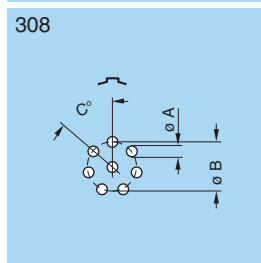
Series	Dimensions		
	A	B	C
<b>0T</b>	0.6	3.0	60°
<b>1T</b>	0.8	3.7	60°



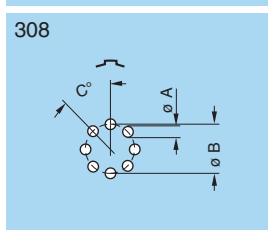
Series	Dimensions		
	A	B	C
<b>2T</b>	0.8	5.6	72°
<b>3T</b>	0.8	7.1	72°



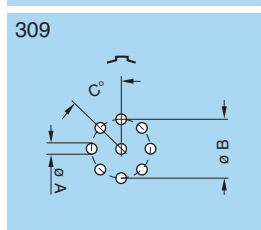
Series	Dimensions		
	A	B	C
<b>0T</b>	0.6	3.00	60°
<b>1T</b>	0.8	3.70	60°
<b>2T</b>	0.8	5.80	60°
<b>3T</b>	0.8	7.08	60°



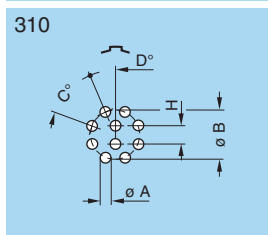
Series	Dimensions		
	A	B	C
<b>1T</b>	0.8	3.8	51°26'



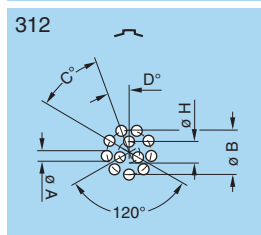
Series	Dimensions		
	A	B	C
<b>2T</b>	0.8	6.4	45°
<b>3T</b>	0.8	7.5	45°



Series	Dimensions		
	A	B	C
<b>0T</b>	0.6	3.2	45°
<b>3T</b>	0.8	7.5	45°



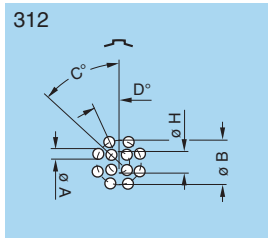
Series	Dimensions				
	A	B	C	D	H
<b>1T</b>	0.6	3.95	45°	22°30'	1.40
<b>2T</b>	0.8	6.30	45°	22°30'	2.15
<b>3T</b>	0.8	7.90	45°	22°30'	2.80



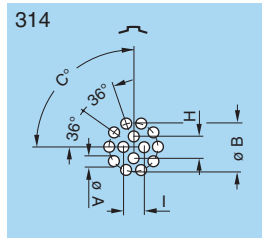
Series	Dimensions				
	A	B	C	D	H
<b>0T</b>	0.5	3.3	40°	20°	1.25

**Note:** all views are from the side of the socket.

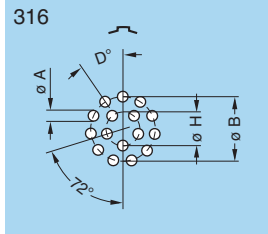
**DISCLAIMER** The information contained within this catalog and the functions offered are intended to provide information about products. All reasonable efforts have been made to ensure the accuracy of the information. However, LEMO cannot be held responsible for any errors. LEMO does not warrant the accuracy and reserves the right to make changes to the catalog and its functions at any time without notice.



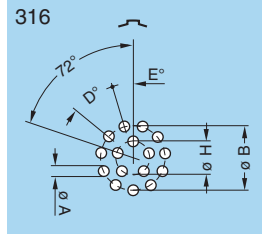
Series	Dimensions				
	A	B	C	D	H
<b>2T</b>	0.8	6.50	45°	22°30'	2.80
<b>3T</b>	0.8	8.20	45°	22°30'	3.40



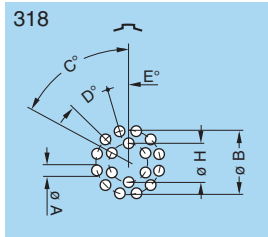
Series	Dimensions				
	A	B	C	H	I
<b>1T</b>	0.6	4.4	90°	1.90	1.80
<b>2T</b>	0.8	6.5	90°	2.65	2.65
<b>3T</b>	0.8	8.2	90°	3.40	3.40



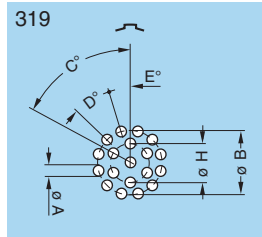
Series	Dimensions			
	A	B	D	H
<b>1T</b>	0.6	4.4	32°44'	2.0



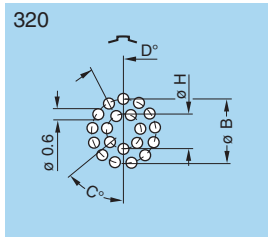
Series	Dimensions				
	A	B	D	E	H
<b>2T</b>	0.8	6.6	32°44'	16°22'	3.10
<b>3T</b>	0.8	8.4	32°44'	16°22'	3.86



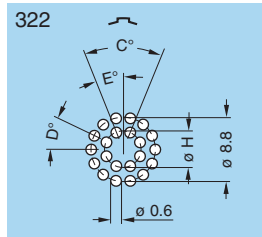
Series	Dimensions					
	A	B	C	D	E	H
<b>2T</b>	0.8	6.7	60°	30°	15°	3.50
<b>3T</b>	0.8	8.4	60°	30°	15°	4.34



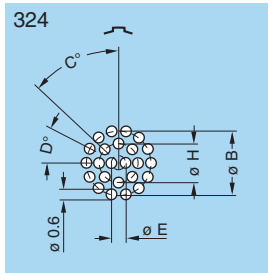
Series	Dimensions					
	A	B	C	D	E	H
<b>2T</b>	0.8	6.7	60°	30°	15°	3.5



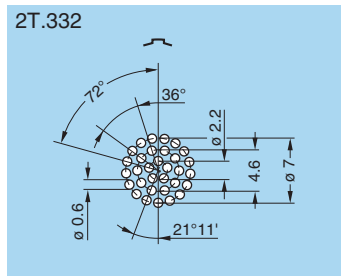
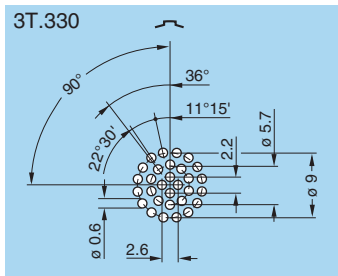
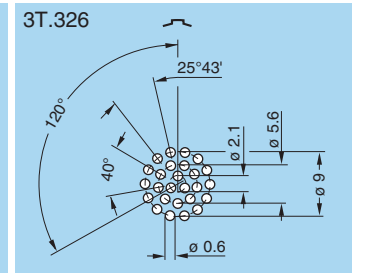
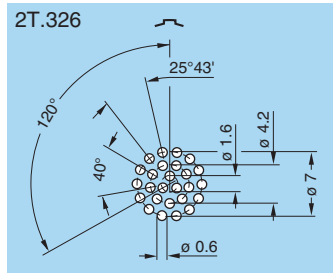
Series	Dimensions			
	B	C	D	H
<b>3T</b>	8.62	51°26'	27°42'	4.78



Series	Dimensions			
	C	D	E	H
<b>3T</b>	45°	25°43'	22°30'	5



Series	Dimensions				
	B	C	D	E	H
<b>3T</b>	8.8	45°	25°43'	1.8	5.30



**Note:** all views are from the side of the socket.

### Metal collet nut tightening torque

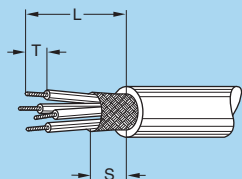
Series	Maximum metal collet nut tightening torque
<b>TT</b>	0.25
<b>0T</b>	0.70
<b>1T</b>	0.80

Series	Maximum metal collet nut tightening torque
<b>2T</b>	2.00
<b>3T</b>	3.00

**DISCLAIMER** The information contained within this catalog and the functions offered are intended to provide information about products. All reasonable efforts have been made to ensure the accuracy of the information. However, LEMO cannot be held responsible for any errors. LEMO does not warrant the accuracy and reserves the right to make changes to the catalog and its functions at any time without notice.



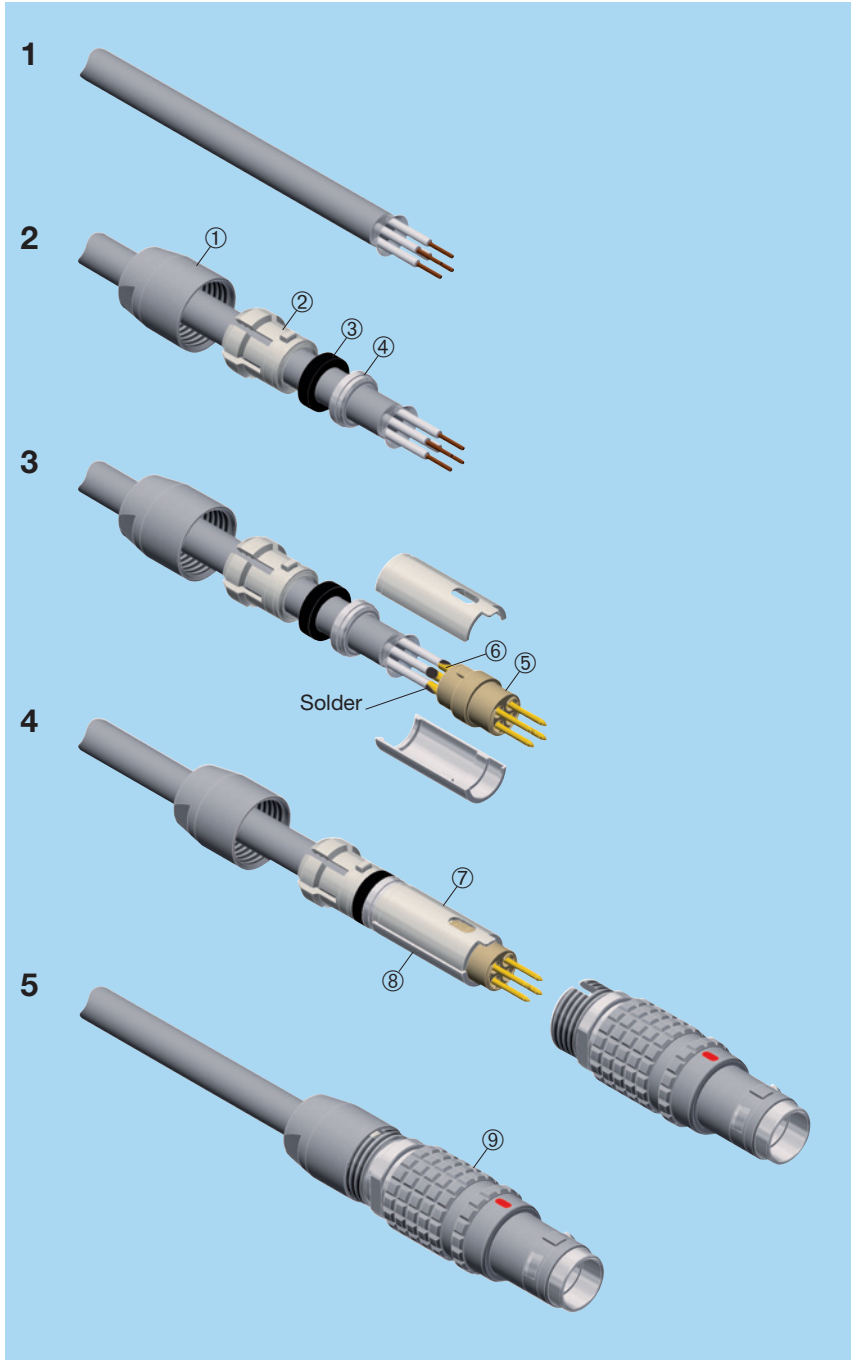
## Cable assembly



	Reference	ø contact (mm)	Cable stripping lengths (mm)					
			Solder			Crimp		
			L	S	T	L	S	T
<b>TT</b>	<b>302</b>	0.5	8.0	4	2.5	11.0	4	3.0
	<b>303</b>	0.5	8.0	4	2.5	11.0	4	3.0
	<b>304</b>	0.5	8.0	4	2.5	11.0	4	3.0
<b>0T</b>	<b>302/303</b>	0.9	9.0	5	4.0	9.0	5	4.0
	<b>304/305</b>	0.7	8.0	5	3.5	9.0	5	4.0
	<b>306/307/309</b>	0.5	7.0	5	2.5			
	<b>312</b>	0.35	7.0	5	2.5			
<b>1T</b>	<b>302/303</b>	1.3	10.5	7	3.5	14.5	7	4.0
	<b>304/305</b>	0.9	10.5	7	3.0	14.5	7	4.0
	<b>306/307/308</b>	0.7	10.5	7	3.0	14.5	7	4.0
	<b>310/314/316</b>	0.5	13.0	7	2.5			
<b>2T</b>	<b>302</b>	2.0	16.5	8	4.0	19.5	8	5.5
	<b>303</b>	1.6	16.5	8	3.5	19.5	8	5.5
	<b>304/305/306/307</b>	1.3	15.5	8	3.5	17.5	8	4.0
	<b>308/310</b>	0.9	14.5	8	3.0	17.5	8	4.0
	<b>312/314/316/318/319</b>	0.7	14.5	8	3.0	17.5	8	4.0
	<b>326/332</b>	0.5	14.5	8	2.5			
<b>3T</b>	<b>302</b>	3.0	19.0	10	4.5	23.0	10	5.5
	<b>303/304</b>	2.0	18.0	10	4.0	22.0	10	5.5
	<b>305/306/307</b>	1.6	18.0	10	3.5	22.0	10	5.5
	<b>308/310</b>	1.3	17.0	10	3.5	20.0	10	4.0
	<b>309</b>	1.3 2.0	17.0	10	3.5 4.0	20.0	10	4.0 5.5
	<b>312/314/316/318</b>	0.9	16.0	10	3.0	20.0	10	4.0
	<b>320/322/324/326/330</b>	0.7	16.0	10	3.0	20.0	10	4.0

**DISCLAIMER** The information contained within this catalog and the functions offered are intended to provide information about products. All reasonable efforts have been made to ensure the accuracy of the information. However, LEMO cannot be held responsible for any errors. LEMO does not warrant the accuracy and reserves the right to make changes to the catalog and its functions at any time without notice.

## Terminating of plugs with solder contacts and cable collet



### Cable preparation

1. Strip the cable according to the given dimensions. (The end of the cable jacket must be cut properly).

### Cable termination

2. Slide it into the collet nut ①, the collet ②, the gland ③ and the earthing cone ④.
3. In case of a screened cable, fold screen back over the extremity of the earthing cone. Arrange the conductors according to the insulator ⑤ marking by avoiding to twist them. Fit conductor into the contacts ⑥ and solder. Verify that insulator and insulation remain clean.
4. Locate the slotted upper half ⑦ of the split insert carrier over the shoulder and key on the insulator then align and press together the other half ⑧ to form a complete cylinder. Push the earthing cone against the insert carriers whilst checking that the screen is being clamped around the whole circumference and cut, if necessary, the excess screen. Push the gland, and collet against the earthing cone. Push the cable forward and verify that cable jacket is located under the gland.
5. Next slide the plug shell ⑨ over the insulator assembly making sure that the key on the insert carrier goes into the keyway (under the color point) inside the shell. Locate the key of the collet into the slot of the shell. Finally screw the collet nut with the appropriate tool and tighten to the maximum torque value (see page 20).

---

**Note:**

**DISCLAIMER** The information contained within this catalog and the functions offered are intended to provide information about products. All reasonable efforts have been made to ensure the accuracy of the information. However, LEMO cannot be held responsible for any errors. LEMO does not warrant the accuracy and reserves the right to make changes to the catalog and its functions at any time without notice.

---

**Note:**

---

**Note:**

**DISCLAIMER** The information contained within this catalog and the functions offered are intended to provide information about products. All reasonable efforts have been made to ensure the accuracy of the information. However, LEMO cannot be held responsible for any errors. LEMO does not warrant the accuracy and reserves the right to make changes to the catalog and its functions at any time without notice.

## LEMO HEADQUARTERS

### SWITZERLAND

#### LEMO SA

Chemin des Champs-Courbes 28 - P.O. Box 194 - CH-1024 Ecublens  
Tel. (+41 21) 695 16 00 - Fax (+41 21) 695 16 02 - e-mail: info@lemo.com

## LEMO SUBSIDIARIES

### AUSTRIA

#### LEMO Elektronik GesmbH

Lemböckgasse 49/E6-3  
1230 Wien  
Tel: (+43 1) 914 23 20 0  
Fax: (+43 1) 914 23 20 11  
sales@lemo.at

### BRAZIL

#### LEMO Latin America Ltda

Av. José Rocha Bonfim,  
214 Salas 224 / 225  
Condomínio Praça Capital  
Ed. Chicago  
Campinas / SP - Brasil 13080-650  
Tel: +55 (11) 98689 4736  
info-la@lemo.com

### CANADA

#### LEMO Canada Inc

44 East Beaver Creek Road, unit 20  
Richmond Hill, Ontario L4B 1G8  
Tel: (+1 905) 889 56 78  
Fax: (+1 905) 889 49 70  
info-canada@lemo.com

### CHINA / HONG KONG

#### LEMO Electronics (Shanghai) Co., Ltd

First Floor, Block E,  
18 Jindian Road, Pudong  
Shanghai, China, 201206  
Tel: (+86 21) 5899 7721  
Fax: (+86 21) 5899 7727  
cn.sales@lemo.com

### DENMARK

#### LEMO Denmark A/S

Gammel Mosevej 46  
2820 Gentofte  
Tel: (+45) 45 20 44 00  
Fax: (+45) 45 20 44 01  
info-dk@lemo.com

### FRANCE

#### LEMO France Sàrl

24/28 Avenue Graham Bell  
Bâtiment Balthus 4  
Bussy Saint Georges  
77607 Marné la Vallée Cedex 3  
Tel: (+33 1) 60 94 60 94  
Fax: (+33 1) 60 94 60 90  
info-fr@lemo.com

### GERMANY

#### LEMO Elektronik GmbH

Hanns-Schwindt-Str. 6  
81829 München  
Tel: (+49 89) 42 77 03  
Fax: (+49 89) 420 21 92  
info@lemo.de

### HUNGARY

#### REDEL Elektronika Kft

Nagysándor József u. 6-12  
1201 Budapest  
Tel: (+36 1) 421 47 10  
Fax: (+36 1) 421 47 57  
info-hu@lemo.com

### ITALY

#### LEMO Italia srl

Viale Lunigiana 25  
20125 Milano  
Tel: (+39 02) 66 71 10 46  
Fax: (+39 02) 66 71 10 66  
sales.it@lemo.com

### JAPAN

#### LEMO Japan Ltd

2-7-22, Mita,  
Minato-ku, Tokyo, 108-0073  
Tel: (+81 3) 54 46 55 10  
Fax: (+81 3) 54 46 55 11  
lemoinfo@lemo.co.jp

### MIDDLE EAST

#### LEMO Middle East Gen. Trad. LLC

Concorde Tower 6th Floor,  
Dubai Media City, P.O. Box 126732  
Dubai, United Arab Emirates  
Tel: +971 55 222 36 77  
info-me@lemo.com

### NETHERLANDS / BELGIUM

#### LEMO Connectors Benelux

De Trompet 1060  
1967 DA Heemskerk  
Tel: (+31) 251 25 78 20  
Fax: (+31) 251 25 78 21  
info@lemo.nl

### NORWAY / ICELAND

#### LEMO Norway A/S

Stanseveien 6B, 0975 Oslo  
Tel: (+47) 22 91 70 40  
Fax: (+47) 22 91 70 41  
info-no@lemo.com

### SINGAPORE

#### LEMO Asia Pte Ltd

4 Leng Kee Road,  
#06-09 SiS Building  
Singapore 159088  
Tel: (+65) 6476 0672  
Fax: (+65) 6474 0672  
sg.sales@lemo.com

### SPAIN / PORTUGAL

#### IBERLEMO SAU

Brasil, 45, 08402 Granollers  
Barcelona  
Tel: (+34 93) 860 44 20  
Fax: (+34 93) 879 10 77  
info-es@lemo.com

### SWEDEN / FINLAND

#### LEMO Nordic AB

Mariehällsvägen 39A  
168 65 Bromma  
Tel: (+46 8) 635 60 60  
Fax: (+46 8) 635 60 61  
info-se@lemo.com

### SWITZERLAND

#### LEMO Verkauf AG

Grundstrasse 22 B  
6343 Rotkreuz  
Tel: (+41 41) 790 49 40  
ch.sales@lemo.com

### UNITED KINGDOM

#### LEMO UK Ltd

12-20 North Street, Worthing,  
West Sussex, BN11 1DU  
Tel: (+44 1903) 23 45 43  
lemouk@lemo.com

### USA

#### LEMO USA Inc

P.O. Box 2408  
Rohnert Park, CA 94927-2408  
Tel: (+1 707) 578 88 11  
(+1 800) 444 53 66  
Fax: (+1 707) 578 08 69  
info-US@lemo.com

## LEMO DISTRIBUTORS

AUSTRALIA, CHILE, CZECH REPUBLIC, GREECE, INDIA, ISRAEL,  
NEW ZEALAND, POLAND, RUSSIA, SOUTH AFRICA, SOUTH KOREA,  
TAIWAN, TURKEY, UKRAINE

[www.lemo.com](http://www.lemo.com)

© CAT.MT.LEN.P0115, updated April 2017

U.S. Air Force photo/Tech. Sgt. Shane A.

