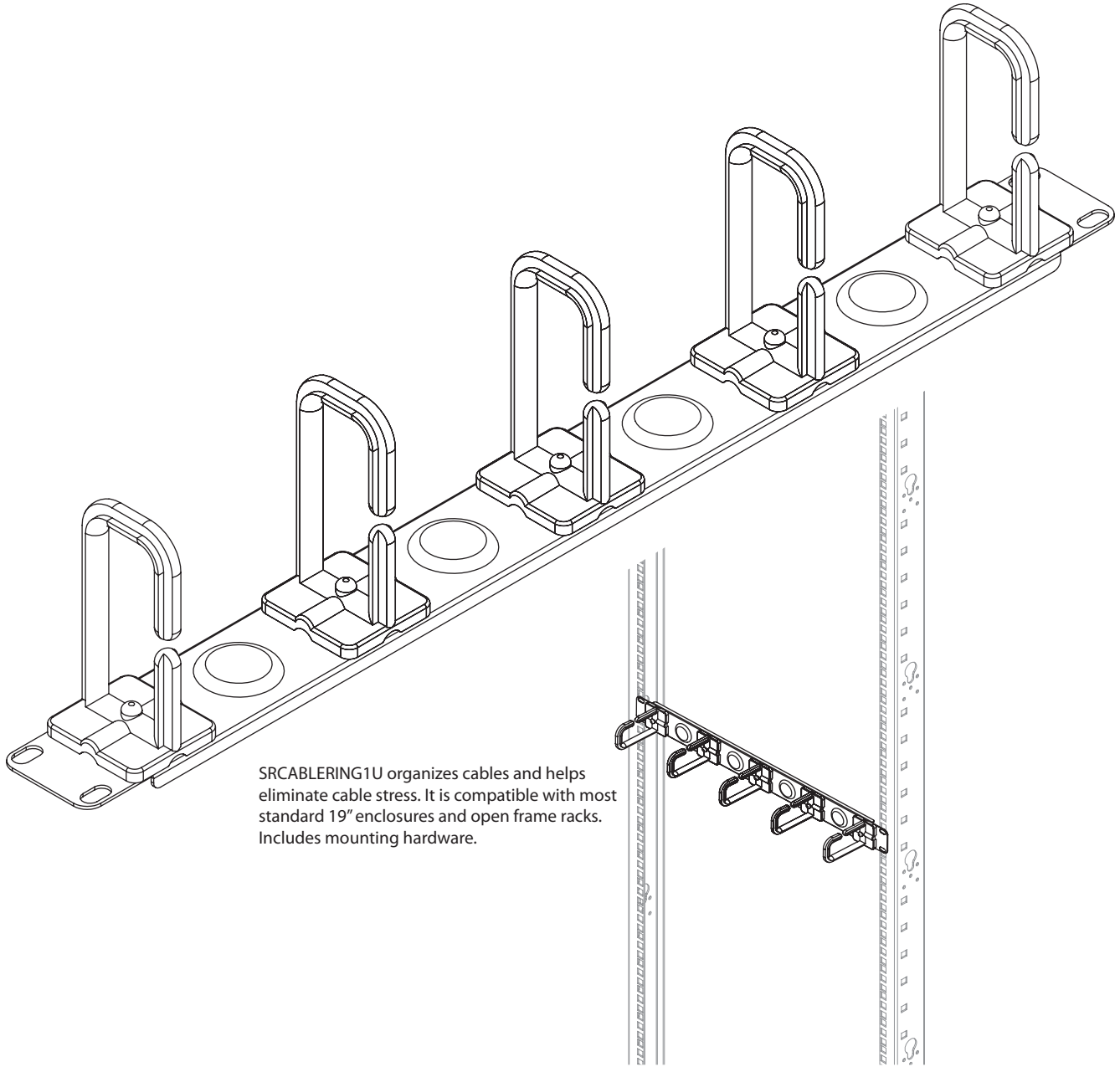


MODEL:

# SRCABLERING1U

## Horizontal Cable Manager (Flexible Ring Type)



SRCABLERING1U organizes cables and helps eliminate cable stress. It is compatible with most standard 19" enclosures and open frame racks. Includes mounting hardware.

### Specifications

Model	SRCABLERING1U
Unit Dimensions (H x W x D)	1.7 x 3.8 x 19 in (43.18 x 96.52 x 482.6 mm)
Shipping Dimensions (H x W x D)	2.5 x 4.25 x 19.5 in (63.5 x 108 x 495.3 mm)
Unit Weight	.75 lb (.34 kg)
Shipping Weight	1 lb (.45 kg)
Regulatory Compliance	Meets RoHS standards

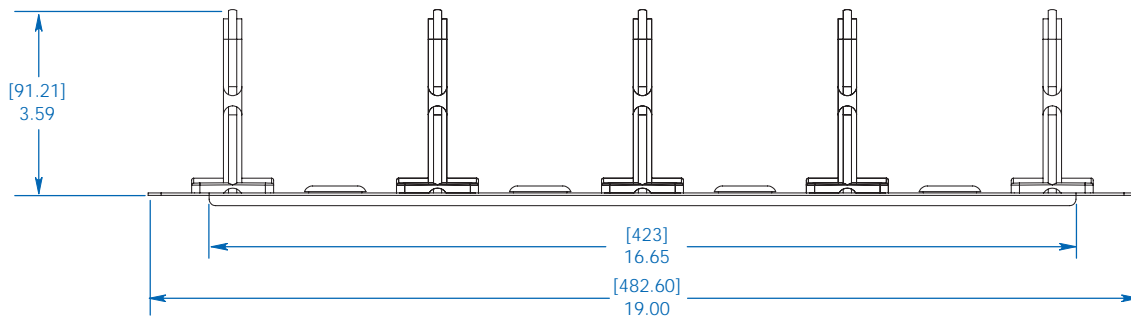
Tripp Lite has a policy of continuous improvement. Specifications are subject to change without notice.



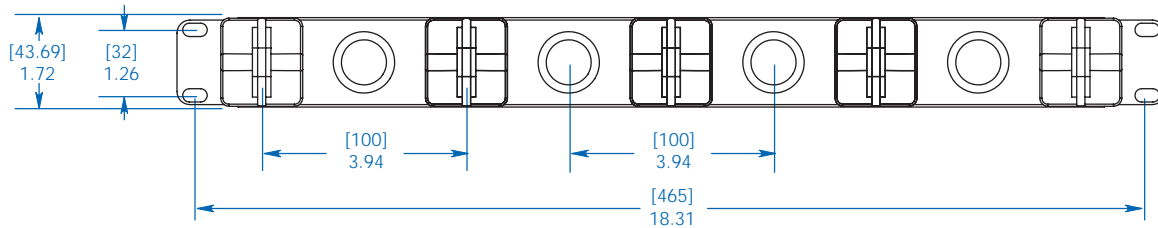
SEE NEXT PAGE FOR DETAILED UNIT MEASUREMENTS

**TRIPP-LITE**

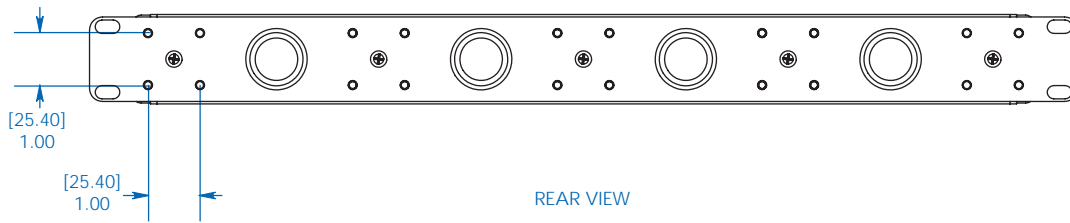
1111 W. 35th Street  
Chicago, IL 60609 USA  
773.869.1234  
www.tripplite.com



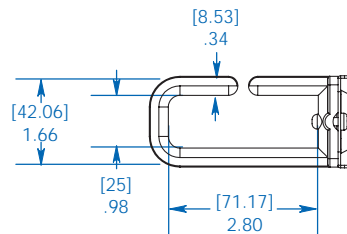
SIDE VIEW



FRONT VIEW



REAR VIEW



END VIEW

Dimensions: [mm] INCHES

Tripp Lite has a policy of continuous improvement. Specifications are subject to change without notice.

MODEL:  
**SRCABLERING1U**



1111 W. 35th Street  
Chicago, IL 60609 USA  
773.869.1234

[www.tripplite.com](http://www.tripplite.com)