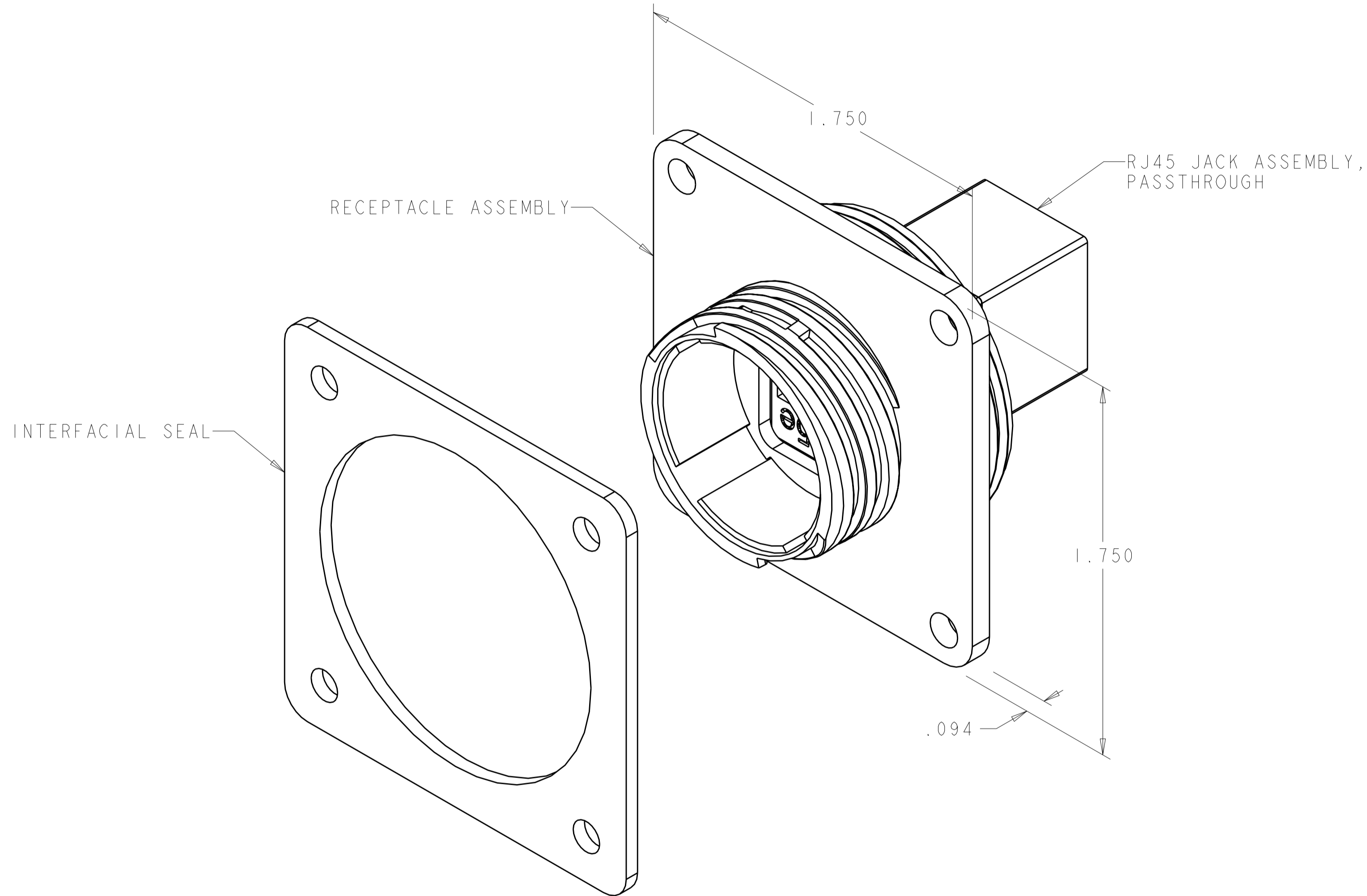


THIS DRAWING IS UNPUBLISHED. RELEASED FOR PUBLICATION 20
 © COPYRIGHT 20 BY TYCO ELECTRONICS CORPORATION. ALL RIGHTS RESERVED.

LOC		DIST		REVISIONS			
P	LTR	DESCRIPTION	DATE	DWN	APVD		
	O	RELEASED EC 063B-0651-04	30JUL2004	SW	HW		
	A	REVISED EC 063B-0734-04	08SEP2004	SW	HW		
	B	REVISED ECO-07-007048	28MAR2007	SW	MS		
	BI	REVISED ECO-07-022509	25SEP2007	SW	MS		



1776186-1
 PART NUMBER

<small>THIS DRAWING IS A CONTROLLED DOCUMENT FOR TYCO ELECTRONICS CORPORATION. IT IS SUBJECT TO CHANGE AND THE CONTROLLING ENGINEERING ORGANIZATION SHOULD BE CONTACTED FOR THE LATEST REVISION.</small>		DWN S. WELDON 30JUL2004 CHK H. WAKEEM 30JUL2004 APVD H. WAKEEM 30JUL2004	tyco Electronics Tyco Electronics Harrisburg, PA 17105-3608
DIMENSIONS: INCHES 	TOLERANCES UNLESS OTHERWISE SPECIFIED: 0 PLC ±- 1 PLC ±0.1 2 PLC ±0.02 3 PLC ±0.005 4 PLC ±0.0005 ANGLES ±- FINISH	PRODUCT SPEC - APPLICATION SPEC - WEIGHT - CUSTOMER DRAWING	NAME RECEPTACLE KIT, UNSHIELDED, PASSTHROUGH, CPC INDUSTRIAL ETHERNET SIZE A2 CAGE CODE 00779 DRAWING NO 1776186 RESTRICTED TO - SCALE 3:1 SHEET 1 OF 1 REV BI