

## SMS relay - TC MOBILE I/O X200 - 2903805

Please be informed that the data shown in this PDF Document is generated from our Online Catalog. Please find the complete data in the user's documentation. Our General Terms of Use for Downloads are valid (<http://phoenixcontact.com/download>)



Successor to the SMS relay: monitor analog and digital values via the mobile communication network, and switch relay outputs remotely. Communication is via SMS or GPRS (e-mail). Supply voltage range of 10 V ... 60 V DC.

### Product Description

The compact TC MOBILE I/O X200 AC signaling system is the successor to the PSI-MODEM-SMS-RELAY/6ADI/4DO/DC SMS relay (Order No. 2313520) and is used to monitor analog and digital values via the mobile communication network and switch relay outputs remotely. A USB connection to a computer and a web browser is all that is needed for configuration. The device features numerous helpful software functions, such as mobile communication diagnostics, sending of log books via e-mail, and different user roles.

### Product Features

- Notification via SMS on change of status at input
- SMS status query of all inputs and outputs
- SMS relay for remote control of outputs
- Alarm generation on voltage failure via SMS
- GSM mobile phone network: 850, 900, 1800, and 1900 MHz
- Switching of outputs for a predefined time
- Communication via SMS and e-mail
- Two analog inputs
- Configuration via USB and web browser
- Compact design: 4 pitches (DIN 43880)



### Key Commercial Data

Packing unit	1 pc
Weight per Piece (excluding packing)	260.0 g
Custom tariff number	85176200
Country of origin	Germany

# SMS relay - TC MOBILE I/O X200 - 2903805

## Technical data

### Note

Utilization restriction	EMC: class A product, see manufacturer's declaration in the download area
-------------------------	---

### Dimensions

Width	72 mm
Height	90 mm
Depth	62 mm

### Ambient conditions

Ambient temperature (operation)	-25 °C ... 70 °C (for derating, see technical documentation)
Ambient temperature (storage/transport)	-40 °C ... 85 °C
Permissible humidity (operation)	0 % ... 95 %
Altitude	2000 m
Degree of protection	IP20

### General

Standards/regulations	EN 50121-4
Electromagnetic compatibility	Conformance with EMC Directive 2004/108/EC
Net weight	253 g
Housing material	Polycarbonate
MTTF	164 Years (SN 29500 standard, temperature 25°C, operating cycle 21 % (5 days a week, 8 hours a day))
	337 Years (SN 29500 standard, temperature 40 °C, operating cycle 34.25 % (5 days a week, 12 hours a day))
	848 Years (SN 29500 standard, temperature 40°C, operating cycle 100 % (7 days a week, 24 hours a day))
Conformance	CE-compliant
ATEX	# II 3 G Ex nA nC IIC T4 Gc X (Please follow the special installation instructions in the documentation!)

### Power supply

Supply voltage range	10 V DC ... 60 V DC
Max. current consumption	175 mA
Typical current consumption	110 mA (24 V DC)
	40 mA (stand by)

### Serial interface

Interface 1	USB 2.0
Connection method	Mini-USB type B, 5-pos.
Transmission length	≤ 3 m (only for configuration and diagnostics)

### Radio interface

## SMS relay - TC MOBILE I/O X200 - 2903805

### Technical data

#### Radio interface

Interface description	GSM
Frequency	850 MHz (2 W (EGSM))
	900 MHz (2 W (EGSM))
	1800 MHz (1 W (EGSM))
	1900 MHz (1 W (EGSM))
EDGE	Multislot Class 10

#### Digital outputs

Output name	Relay output
Number of outputs	4
Contact type	N/O contact
Minimum switching voltage	5 V
Maximum switching voltage	60 V
Limiting continuous current	6 A
Switching capacity	1500 VA
Electrical service life	100000 cycles (5 A, ohmic load)
	200000 cycles (2 A, $\cos\phi = 0.4$ )

#### Digital inputs

Description of the input	Digital input
Number of inputs	4
Switching threshold "0" signal in reference to $U_N$	$\leq 0.3$
Switching threshold "1" signal in reference to $U_N$	$\geq 0.7$

#### Analog inputs

Description of the input	Analog input
Number of inputs	2
Input signal	Current or voltage
Voltage input signal	0 V DC ... 60 V DC
Current input signal	0 mA ... 20 mA
	4 mA ... 20 mA (configurable)
Input impedance	600 k $\Omega$ (Voltage inputs)
	50 $\Omega$ (Current inputs)
Precision	$\pm 0.1 \%$
Resolution	15 Bit

# SMS relay - TC MOBILE I/O X200 - 2903805

## Classifications

### eCl@ss

eCl@ss 4.0	27250312
eCl@ss 4.1	27250312
eCl@ss 5.0	27242208
eCl@ss 5.1	27242208
eCl@ss 6.0	27242208
eCl@ss 7.0	27242208
eCl@ss 8.0	19179290

### ETIM

ETIM 3.0	EC000310
ETIM 4.0	EC000310
ETIM 5.0	EC001604

### UNSPSC

UNSPSC 6.01	30211506
UNSPSC 7.0901	39121008
UNSPSC 11	39121008
UNSPSC 12.01	39121008
UNSPSC 13.2	43201553

## Approvals

### Approvals

---

Approvals

UL Listed / cUL Listed / cULus Listed

---

Ex Approvals

ATEX

---

Approvals submitted

---

Approval details

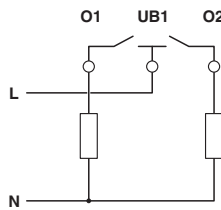
# SMS relay - TC MOBILE I/O X200 - 2903805

## Approvals

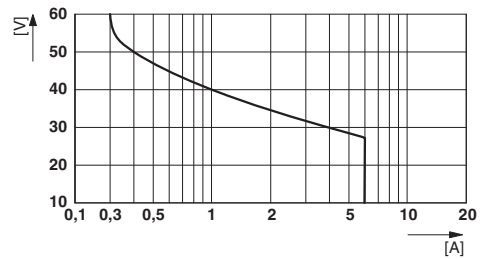


## Drawings

Connection diagram



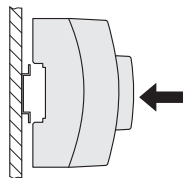
Diagram



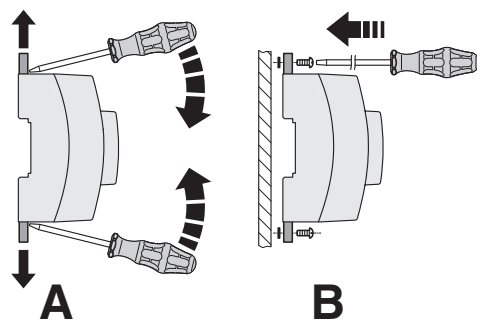
Floating relay contacts

Relay load curve - ohmic load

Schematic diagram



Schematic diagram



DIN rail mounting

Wall mounting

