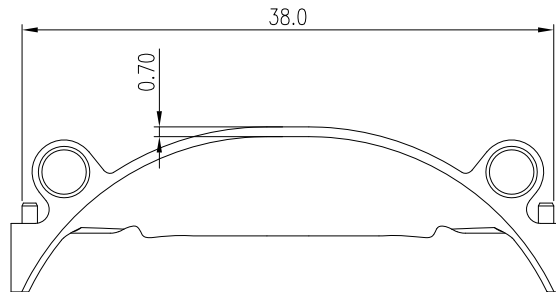
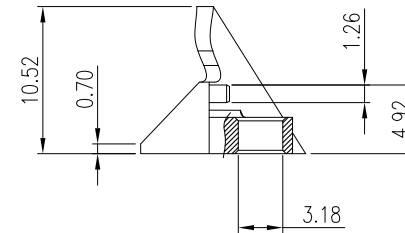
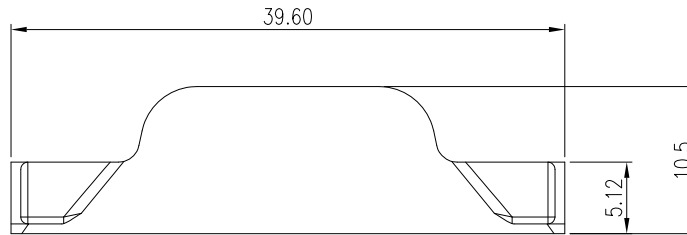
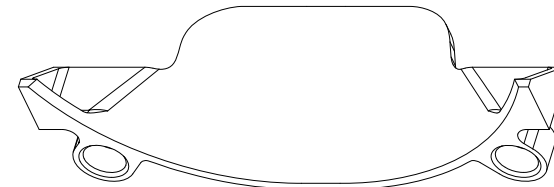
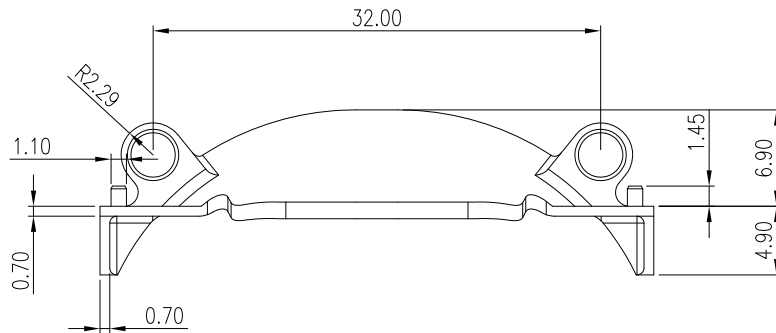


This document is the property of Amphenol Corporation and is delivered on the express condition that it is not to be disclosed, reproduced or used, in whole or in part, for manufacture or sale by anyone other than Amphenol Corporation without its prior consent, and that no right is granted to disclose or to use any information in this document.

The marking on this product doesn't contain environmental hazardous materials per Material Specification SS-00259 for Sony GP compliant or per directive 2011/65/EU for RoHS compliant.

**FOR REFERENCE ONLY**

REVISIONS				
SYM	ECN No.	DESCRIPTION	DATE	BY
AX1		UNRELEASED REVISION	06/14/2017	Joseph Jiang



NOTES:

1. MATERIAL: HIGH TEMPERATURE THERMAL PLASTIC, UL94V-0, COLOR: BLACK.
2. PRODUCT SPECIFICATION : PS-7617
3. THIS PRODUCT DOESN'T CONTAIN ENVIRONMENTAL HAZARDOUS MATERIALS PER DIRECTIVE 2011/65/EU FOR RoHS AND PER IEC 61249-2-21 FOR HALOGEN FREE COMPLIANT.

TOLERANCE		APPROVALS		DATE	TITLE			PART No.			
X.		DRAWN	Joseph Jiang	06/14/2017	EDGE CARD CONNECTOR FOR FAN MODULE			Amphenol®			
X.X	±0.30	CHECKED	Chenny Yeh	06/14/2017	8 PIN			Amphenol Corporation			
X.XX	±0.20	APPROVED	Hank Hsu	06/14/2017		UNIT	mm	SIZE	A3	PART No. GFMF01C01R0000HR	
X.XXX	±0.10	DWG TYPE	CUST DWG	PROJECT CODE		XXX	SCALE	NA	SHEET		1 OF 2
ANGULAR ±1°		UNLESS OTHERWISE SPECIFIED									