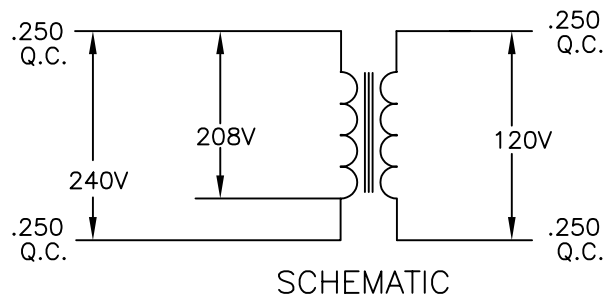
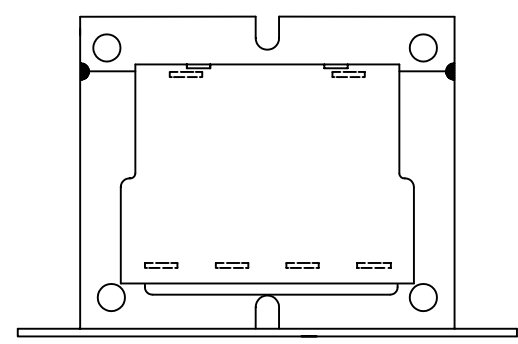
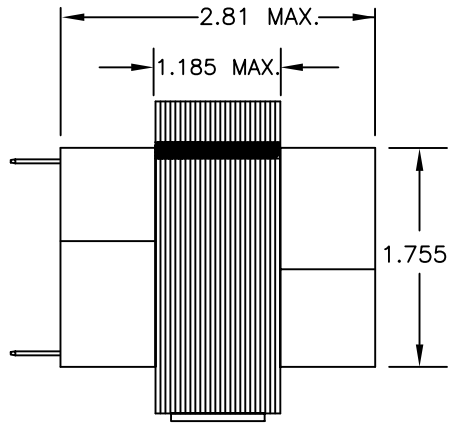
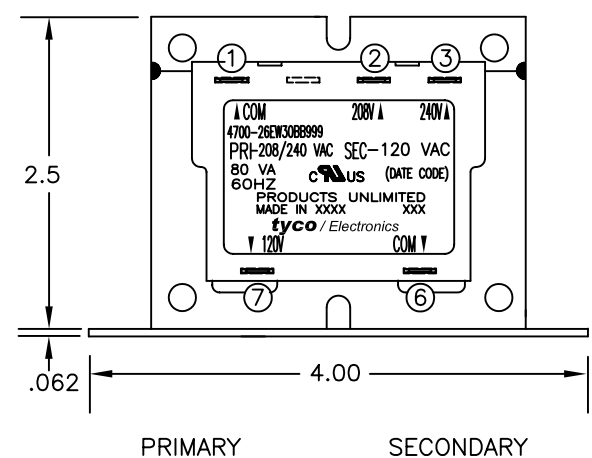


PRIMARY						SECONDARY				
TERM NO.	1	2	3	4	5	TERM NO.	6	7	8	9
VOLTAGE	COM	208	240			VOLTAGE	120	VAC		
TERMINAL WIDTH	.250	.250	.250			TERMINAL WIDTH	.250	.250		
TERMINAL THICKNESS	.032	.032	.032			TERMINAL THICKNESS	.032	.032		

NOTES:  
 1. DIMENSIONS FOR REFERENCE ONLY.  
 2. WINDING PROTECTION-NONE

CERTIFICATION:UL/CUL FILE NO E102980



TYCO PART NUMBER  
 8-1611470-5

THIS DRAWING IS A CONTROLLED DOCUMENT.		DWN	K.H.	30JUN04	Tyco Electronics Corporation Harrisburg, PA 17105-3608		
DIMENSIONS: INCHES		CHK	HT	30JUN04			
TOLERANCES UNLESS OTHERWISE SPECIFIED:		APVD	DH	30JUN04			
0 PLC ± - 1 PLC ± - 2 PLC ± .010 3 PLC ± .005 4 PLC ± - ANGLES ± -		NAME		PRODUCT SPEC			
MATERIAL		FINISH		APPLICATION SPEC	TRANSFORMER OUTLINE P.U. STOCK		
		WEIGHT		SIZE	CAGE CODE	DRAWING NO	RESTRICTED TO
		CUSTOMER DRAWING		A3	00779	C=4700-26EW30BB999	
		SCALE		SHEET		OF	REV
		NTS		1		1	0