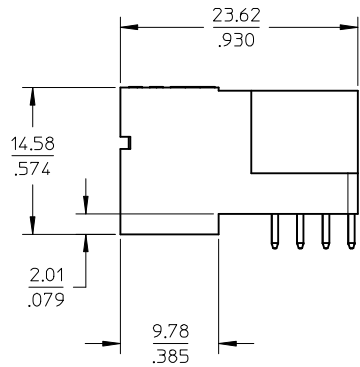
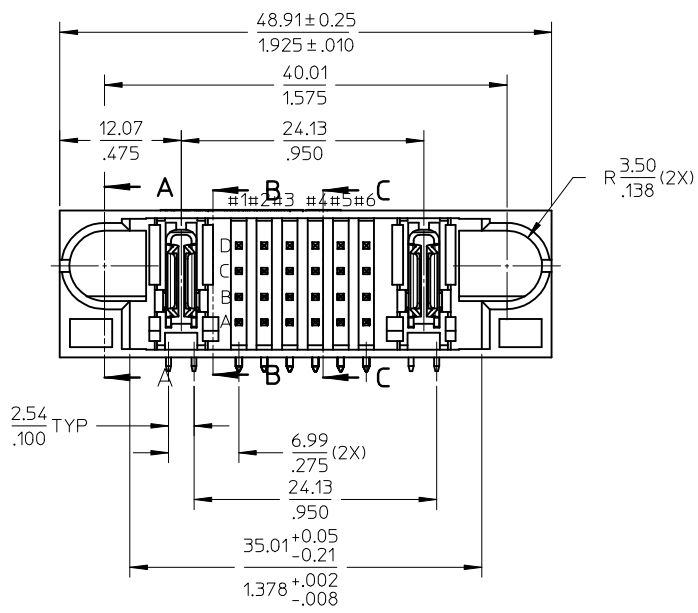


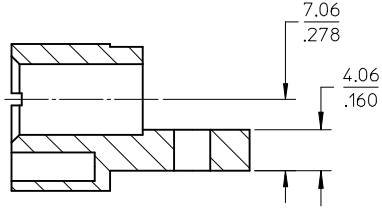
SHORT BLADE OPTION LONG BLADE OPTION  
**DETAIL R**  
 (SEE TABLE FOR BLADE OPTION)



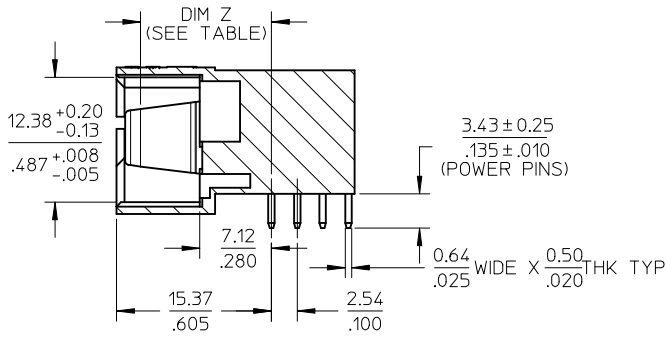
- NOTES:
1. MATERIALS: HOUSING - LCP, GLASS FILLED, UL94V-0, COLOR: BLACK  
 POWER PINS - COPPER ALLOY  
 SIGNAL PINS - COPPER ALLOY
  2. FINISHES: POWER & SIGNAL PINS:  
 SELECTIVE GOLD IN CONTACT AREA.  
 THICKNESS= 0.76 MICROMETER/ 30 MICROINCH MINIMUM  
 SELECTIVE TIN IN THE PC TAIL AREA  
 THICKNESS= 2.54 MICROMETER/100 MICROINCH MINIMUM  
 WITH 1.27µm MINIMUM NICKEL UNDERPLATE OVERALL.
  3. PRODUCT SPECIFICATION: PS-87606-002
  4. SEE SHEET 2 FOR RECOMMENDED PCB LAYOUT AND THICKNESS.
  5. COMPONENT STAY AWAY ZONE FROM CONNECTOR.
  6. MANUFACTURER LOGO, PART NUMBER AND YEAR-WEEK CODE.
  7. PCB NOTE FOR DIAMETER 1.02/.040 PLATED HOLE.  
 - DRILLED HOLE SIZE IS 1.151/.0453.  
 - PLATED WITH 0.007/.0003 MINIMUM TIN (Sn) OVER 0.03/.001  
 TO 0.08/.003 COPPER PLATING TO ACHIEVE 1.02±0.08/.040±.003 HOLE.

CORRECT PCB HOLE SIZE EC NO: S2009-0475 DRWN:SKANG CHYKD:ATSEE APPR:MLONG	QUALITY SYMBOLS ▽=0 ▽=0	GENERAL TOLERANCES (UNLESS SPECIFIED)		DIMENSION STYLE MM/IN		SCALE NTS	DESIGN UNITS METRIC	THIRD ANGLE PROJECTION		
			mm	INCH	DRAWN BY	DATE	TITLE			
		4 PLACES	± ---	± ---	BHLOW	2002/12/02	DPS CONNECTOR, HEADER 1P-24S-1P CONFIG R/A, T/H, SCREW MOUNT			
		3 PLACES	± ---	± .005	CHECKED BY	DATE				
2 PLACES	± 0.13	± .010	PTLIM	2002/12/09	MOLEX MOLEX INCORPORATED					
1 PLACE	± 0.25	± ---	APPROVED BY	DATE						
ANGULAR ± 3 °		DRAFT WHERE APPLICABLE MUST REMAIN WITHIN DIMENSIONS		SKTOH 2002/12/10	MATERIAL NO. SEE TABLE	DOCUMENT NO. SD-87606-015	SHEET NO. 1 OF 3			
D2		SIZE A3		THIS DRAWING CONTAINS INFORMATION THAT IS PROPRIETARY TO MOLEX INCORPORATED AND SHOULD NOT BE USED WITHOUT WRITTEN PERMISSION						

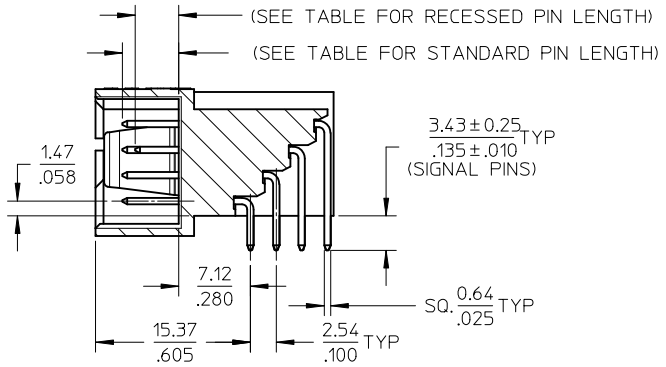
10 9 8 7 6 5 4 3 2 1



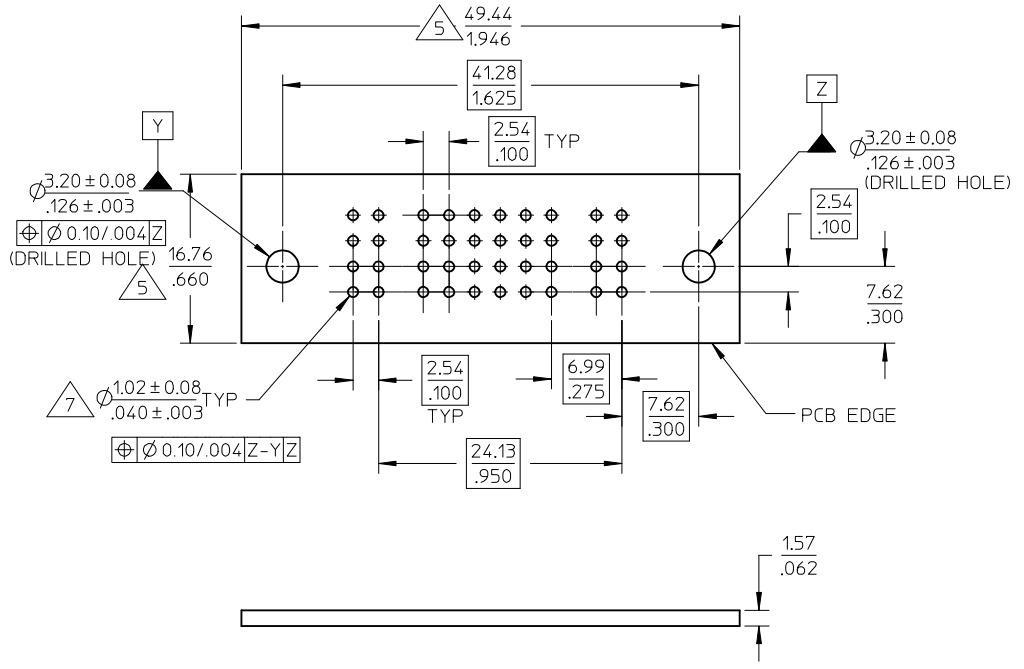
SECTION A-A



SECTION B-B  
(LOCKING DETAIL NOT SHOWN)



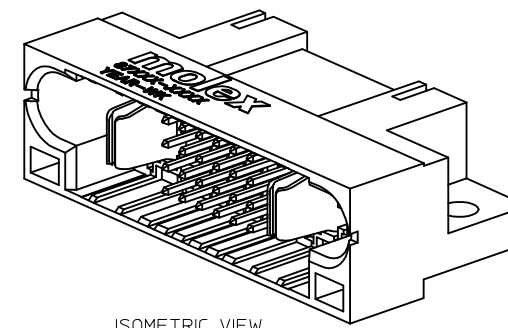
SECTION C-C  
(LOCKING DETAIL NOT SHOWN)



CORRECT PCB HOLE SIZE EC NO: S2009-0475 DRWN:SKANG 2009/01/16 CHKD:ATSEE 2009/01/20 APPR:MLONG 2009/02/05	QUALITY SYMBOLS ▽=0 Ⓢ=0	GENERAL TOLERANCES (UNLESS SPECIFIED)		DIMENSION STYLE	SCALE	DESIGN UNITS	THIRD ANGLE PROJECTION	
				MM/IN	NTS	METRIC		
			mm	INCH	DRAWN BY	DATE	TITLE	
					BHLOW	2002/12/02	DPS CONNECTOR, HEADER 1P-24S-1P CONFIG R/A, T/H, SCREW MOUNT	
			CHECKED BY	DATE				
			PTL IM	2002/12/09				
			APPROVED BY	DATE				
			SKTOH	2002/12/10				
			ANGULAR ± 3 °					
			DRAFT WHERE APPLICABLE MUST REMAIN WITHIN DIMENSIONS					
			SIZE	THIS DRAWING CONTAINS INFORMATION THAT IS PROPRIETARY TO MOLEX INCORPORATED AND SHOULD NOT BE USED WITHOUT WRITTEN PERMISSION				
			A3	SEE TABLE				
			MATERIAL NO.	DOCUMENT NO.	MOLEX INCORPORATED			
					SD-87606-015			
					SHEET NO.			
					2 OF 3			

9 8 7 6 5 4 3 2 1

PART NUMBER	P-S-P CONFIGURATION			POWER BLADE OPTIONS		STANDARD SIGNAL	RECESSED SIGNAL PIN		PACKAGING
	POWER ALPHA	SIGNAL	POWER BETA	TYPE	DIM Z	PIN LENGTH	PIN LENGTH	LOCATION	
87606-1001	1	24	1	SHORT CONTACT	13.32/.524	5.59/.220	4.32/.170	B4	TRAY
87606-2002	1	24	1	LONG CONTACT	14.12/.556	6.86/.270	5.59/.220	B4	TRAY
87606-2003	1	24	1	LONG CONTACT	14.12/.556	6.45/.254	4.32/.170	C1,C6	TRAY
87606-2004	1	24	1	LONG CONTACT	14.12/.556	6.86/.270	5.59/.220	A1,A6,D1,D6	TRAY
87606-2005	1	24	1	LONG CONTACT	14.12/.556	6.86/.270	5.59/.220	A2	TRAY



ISOMETRIC VIEW

CORRECT PCB HOLE SIZE EC NO: S2009-0475 DRWN:SKANG CHKD:ATSEE APPR:MLONG	2009/01/16 2009/01/20 2009/02/05	DESCRIPTION REV	QUALITY SYMBOLS ▽=0 ◻=0	GENERAL TOLERANCES (UNLESS SPECIFIED)		DIMENSION STYLE <b>MM/IN</b>		SCALE <b>NTS</b>	DESIGN UNITS <b>METRIC</b>	THIRD ANGLE PROJECTION		
					mm	INCH	DRAWN BY BHLOW	DATE 2002/12/02	TITLE <b>DPS CONNECTOR, HEADER          1P-24S-1P CONFIG          R/A, T/H, SCREW MOUNT</b>			
				4 PLACES 3 PLACES 2 PLACES 1 PLACE	± --- ± --- ± 0.13 ± 0.25	± --- ± .005 ± .010 ± ---	CHECKED BY PTLIM	DATE 2002/12/09				
					ANGULAR ± 3 °		APPROVED BY SKTOH	DATE 2002/12/10	MATERIAL NO. <b>SEE TABLE</b>		DOCUMENT NO. <b>SD-87606-015</b>	SHEET NO. <b>3 OF 3</b>