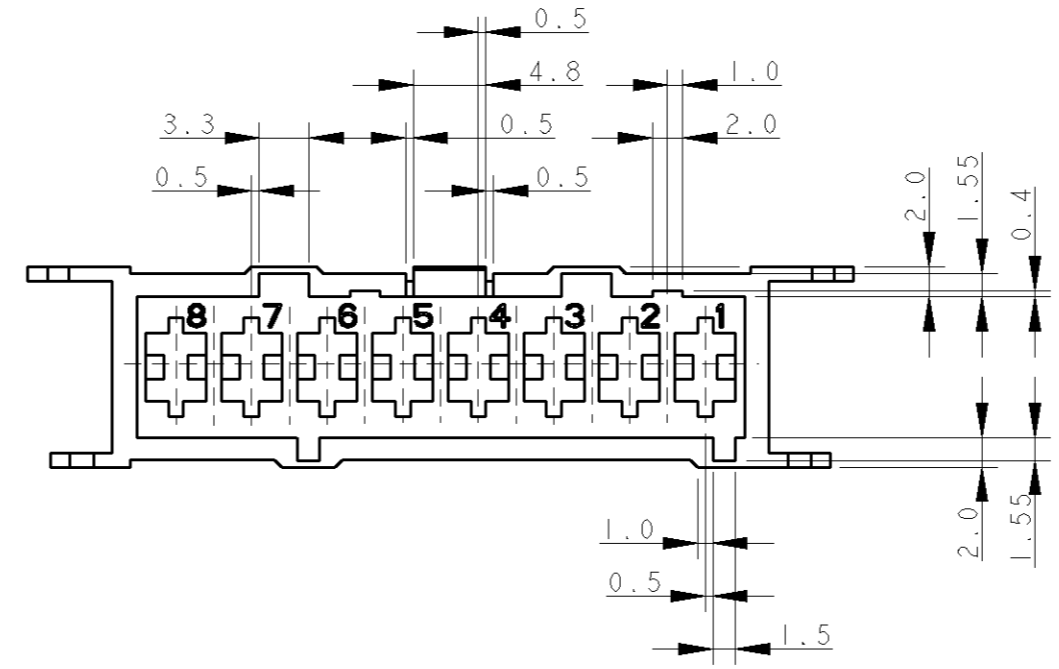


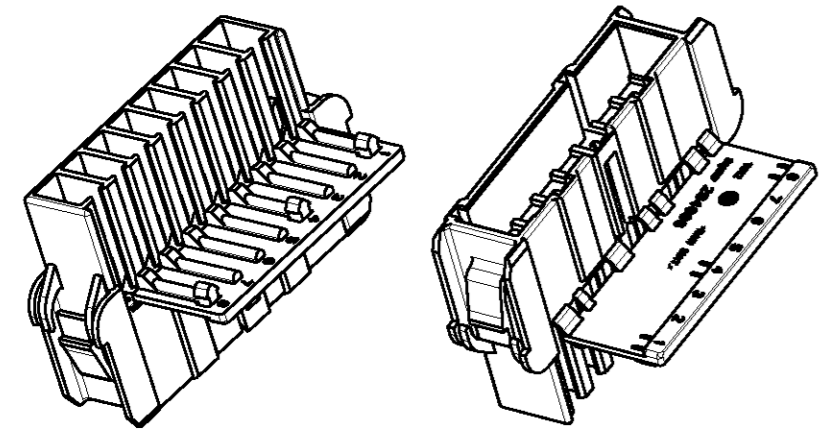
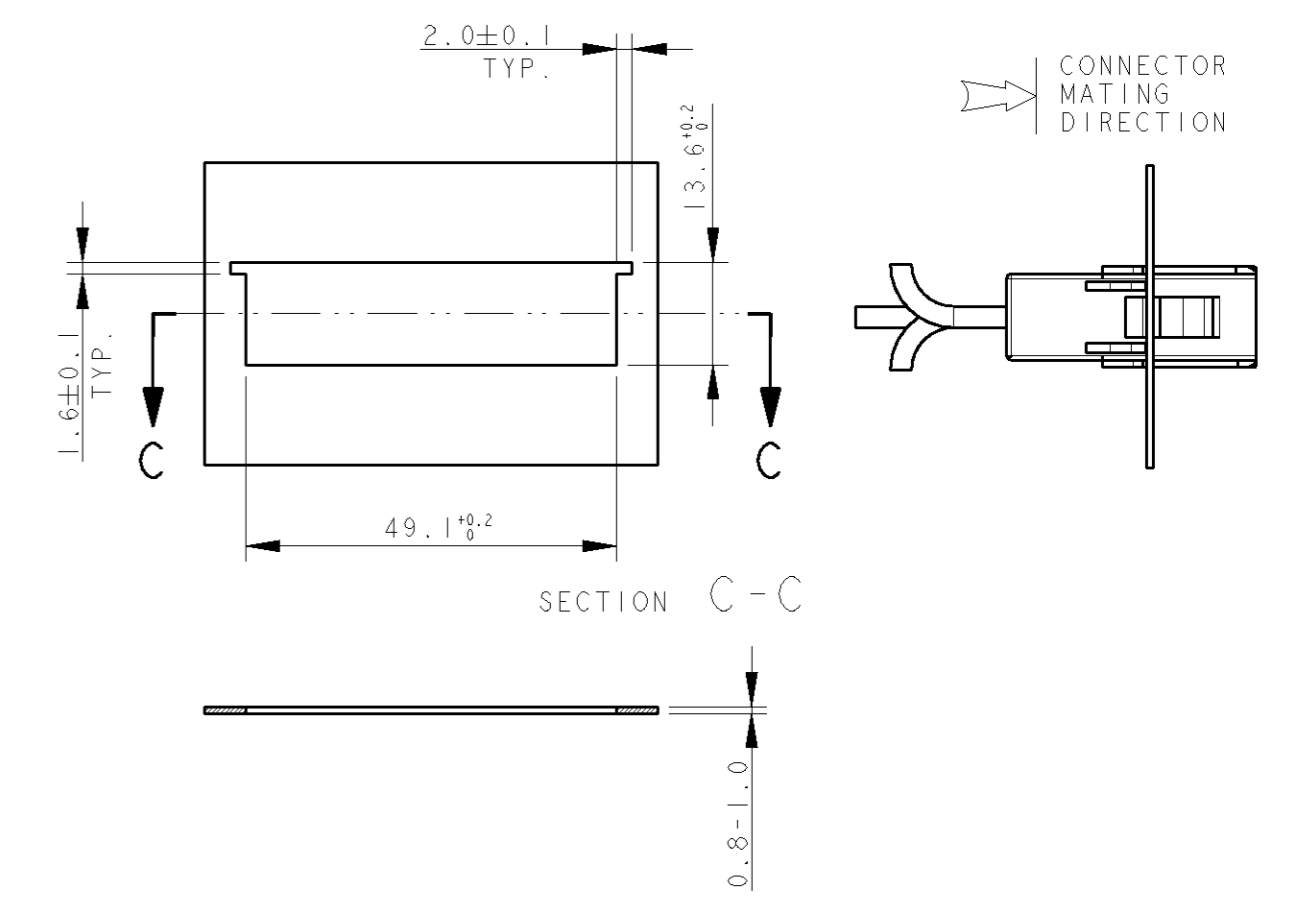
THIS DRAWING IS UNPUBLISHED. RELEASED FOR PUBLICATION 2003
 © COPYRIGHT 2003 BY TYCO ELECTRONICS CORPORATION. ALL RIGHTS RESERVED.

LOC	DIST	REVISIONS			
P	LTR	DESCRIPTION	DATE	DWN	APVD
A1		REDRAWN, ET00-0132-04	21 JUN 2004	HY	GT
B		RELEASED FOR ECR-05-001314	08 APR 2005	HY	GT
C		ADDED P/N 284986-2	17 FEB 2009	HY	GT

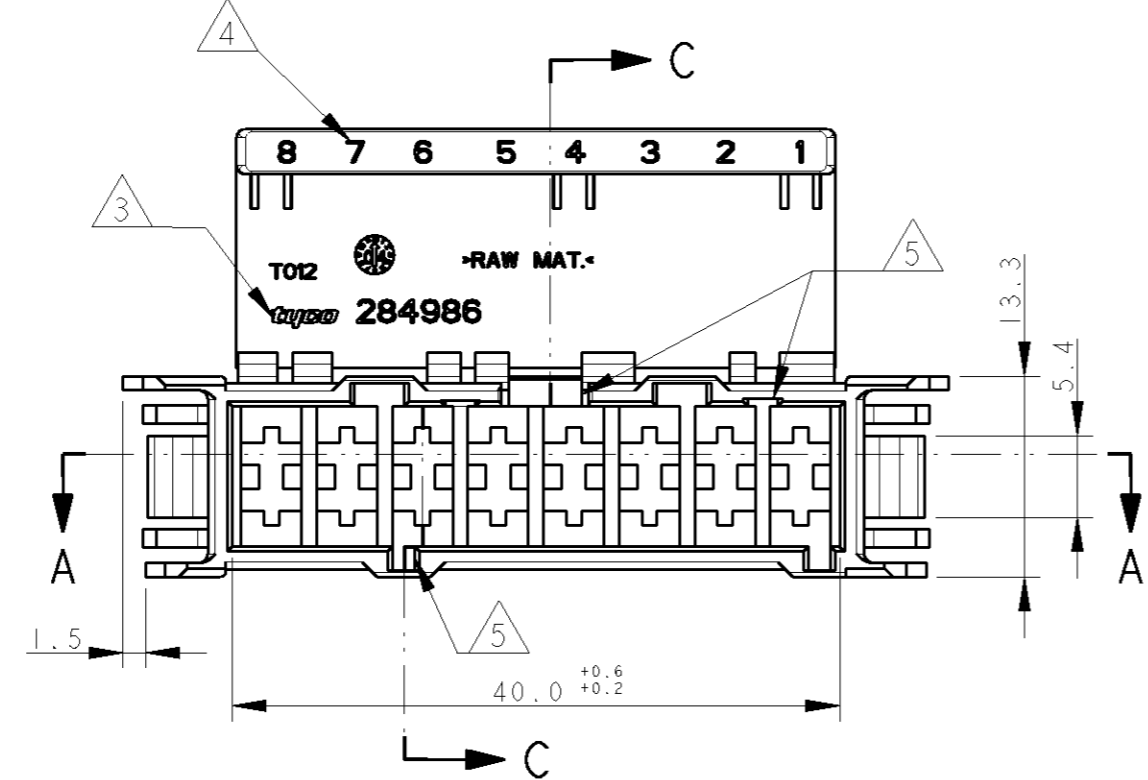
POLARIZATION KEYS SCHEME



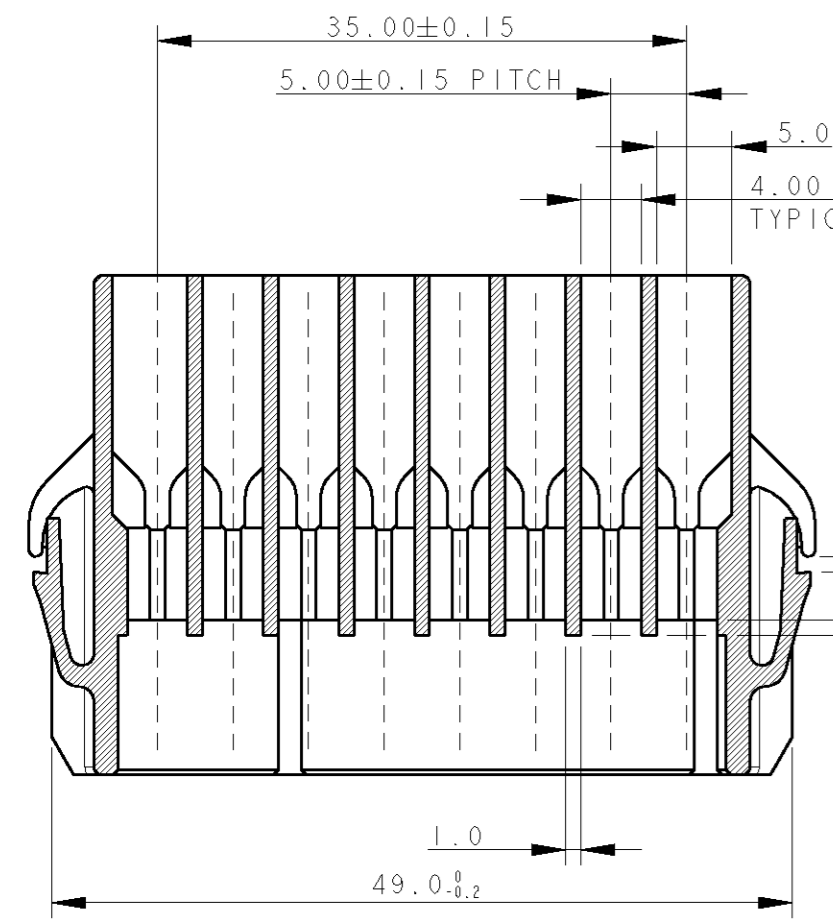
PANEL MOUNT DIMENSIONS
SCALE 1:1



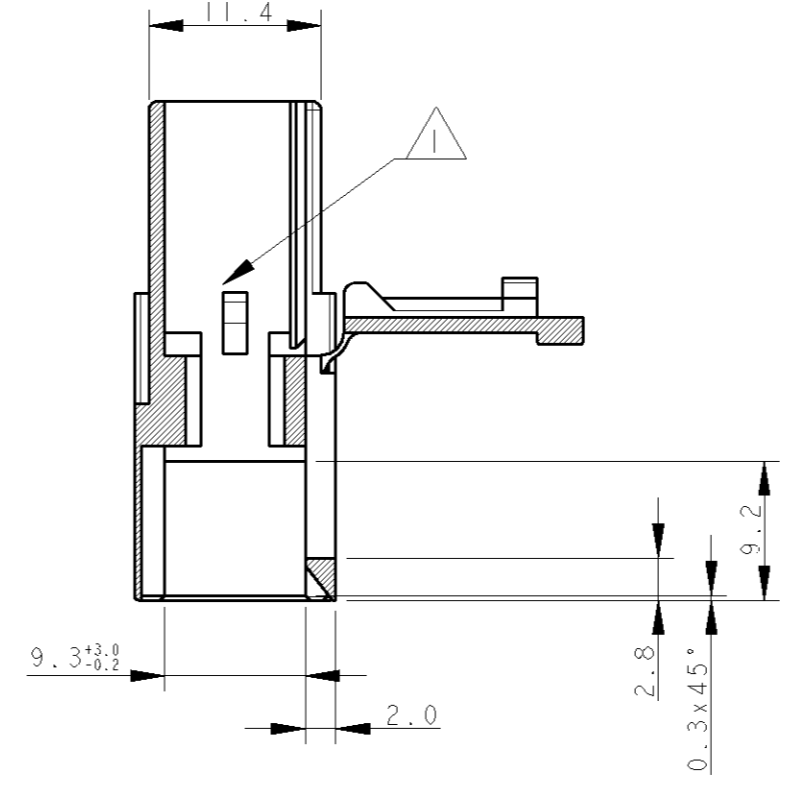
SCALE 1:1



SECTION A-A



SECTION C-C



- ① TYPICAL CAVITY SUITABLE FOR:
FASTIN-FASTON TAB CONTACTS 6.3 mm SRS:
P/N: 60294, 0.3-0.8 mm² WIRE RANGE
160691, 0.3-0.8 mm² WIRE RANGE
AMPLIVAR CONTACTS:
P/N: 141051, 0.1-0.5 mm² WIRE RANGE
142411, 0.3-1.6 mm² WIRE RANGE
MAX. INSULATION DIA. 2.8 mm,
MAX. INSULATION CRIMP WIDTH 3.3 mm.
- ② PA6 UNFILLED, NATURE COLOUR
"SHULAMID 6MV 14 K1681"
- ③ TE TRADEMARK "LOGO" AND
TYCO ELECTRONICS "PART NUMBER"
OPTIONAL POSITION.
- ④ CIRCUIT IDENTIFICATION NUMBERS, 1 TO 8
- ⑤ POLARIZATION KEYS DIMENTIONS AND POSITIONS
ARE ACCORDING TO "RAST 5" NORM

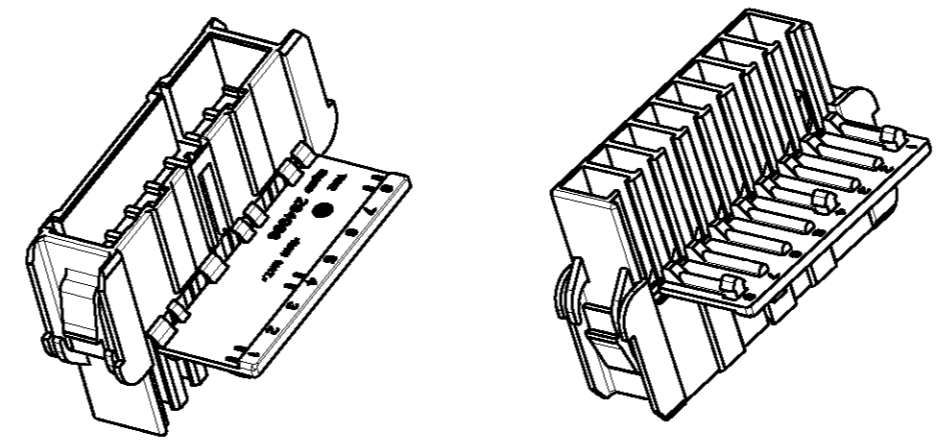
P/N 284986-1 AS SHOWN

NOTE	COLORE (COLOUR)	MATERIALE (MATERIAL)	NUMERO (TE P/N)	REV
SEE SHEET 2 FOR DETAILS	NATURALE (NATUR)	VEDI NOTA 2 (SEE NOTE 2)	284986-2	C
	NATURALE (NATUR)	VEDI NOTA 2 (SEE NOTE 2)	284986-1	B

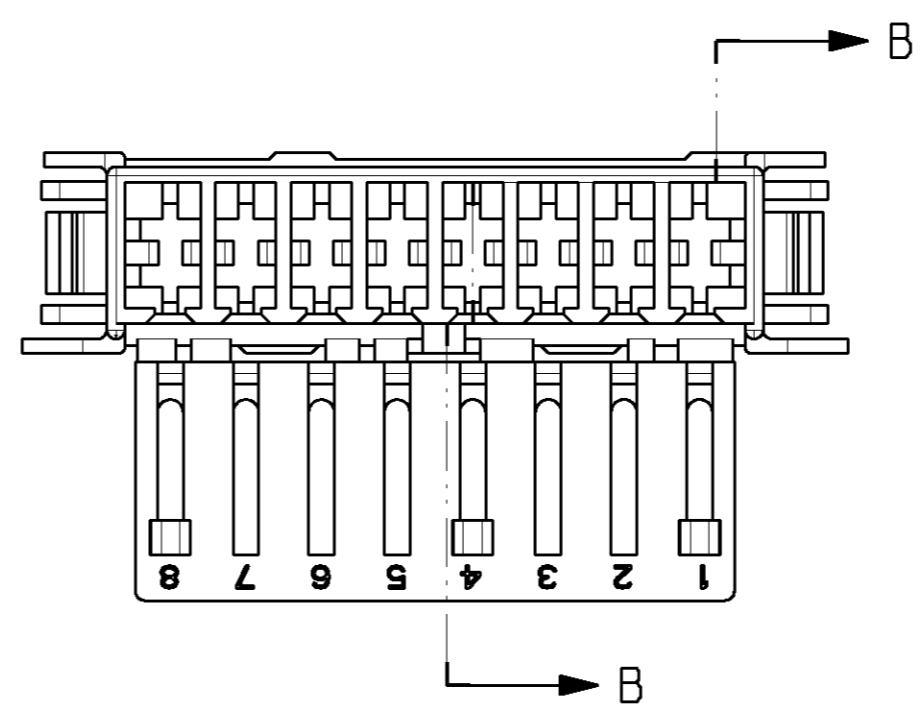
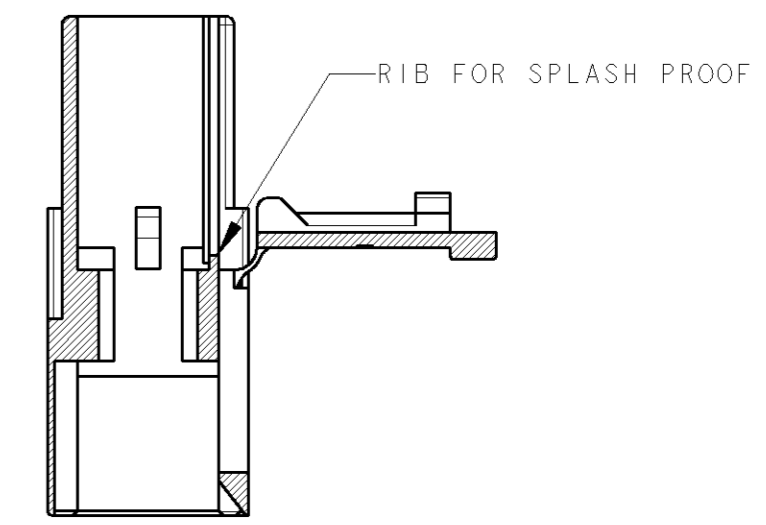
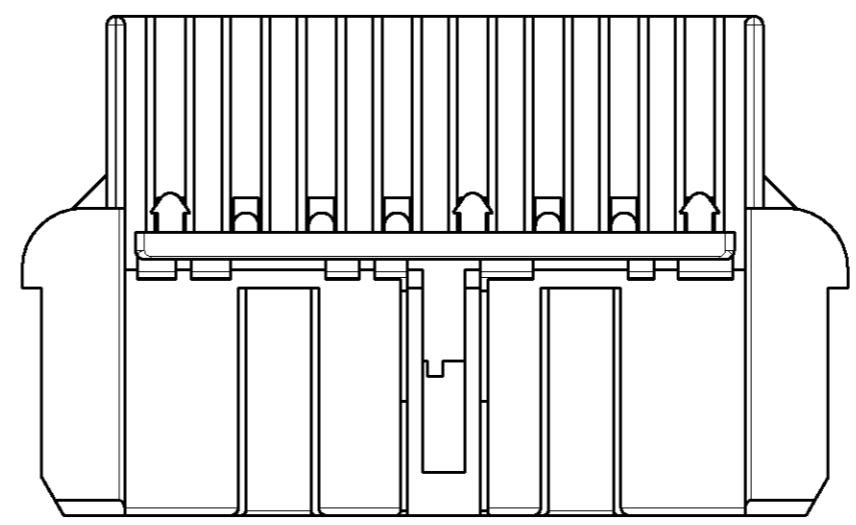
DIMENSIONS: mm 		TOLERANCES UNLESS OTHERWISE SPECIFIED: 0 PLC ± 1 PLC ±0.3 2 PLC ± 3 PLC ± 4 PLC ± ANGLES ±° FINISH		DWN H. YAALI 16 JUN 2004 CHK C. TARTARI APVD PRODUCT SPEC 108-20256 APPLICATION SPEC WEIGHT 9.9 GR CUSTOMER DRAWING		tyco Electronics tyco Electronics AMP Italia S.p.A. C.so F. Cervi, 15 COLLEGGNO (TO)	
MATERIAL SEE TABLE				NAME 8 POS. FASTIN-FASTON Connector TAB HOUSING, RAST 5 0.8-1.0 MM THK. PANEL MOUNT VERSION		SIZE A2 CAGE CODE 00779 DRAWING NO. C-284986 RESTRICTED TO	
				SCALE 2:1 SHEET 1 OF 2 REV C			

THIS DRAWING IS UNPUBLISHED. RELEASED FOR PUBLICATION 2003
 © COPYRIGHT 2003 BY TYCO ELECTRONICS CORPORATION. ALL RIGHTS RESERVED.

LOC	DIST	REVISIONS					
		P	LTR	DESCRIPTION	DATE	DWN	APVD
		-		SEE SHEET 1			



SECTION B-B



P/N 284986-2 AS SHOWN
 FOR OTHER DETAILS REFER TO SHEET 1

<small>THIS DRAWING IS A CONTROLLED DOCUMENT FOR TYCO ELECTRONICS CORPORATION IT IS SUBJECT TO CHANGE AND THE CONTROLLING ENGINEERING ORGANIZATION SHOULD BE CONTACTED FOR THE LATEST REVISION.</small>		DWN 16 JUN 2004 H. YAALI CHK C. TARTARI APVD -	tyco Electronics tyco Electronics AMP Italia S.p.A. C.so F. Cervi, 15 COLLEGNO (TO)
DIMENSIONS: mm	TOLERANCES UNLESS OTHERWISE SPECIFIED: 0 PLC ± 1 PLC ±0.3 2 PLC ± 3 PLC ± 4 PLC ± ANGLES ±° FINISH	PRODUCT SPEC 108-20256 APPLICATION SPEC - WEIGHT - CUSTOMER DRAWING	NAME 8 POS. FASTIN-FASTON Connector TAB HOUSING, RAST 5 0.8-1.0 MM THK. PANEL MOUNT VERSION SIZE A2 CAGE CODE 00779 DRAWING NO. C-284986 RESTRICTED TO -
MATERIAL -		SCALE 2:1 SHEET 2 OF 2 REV C	