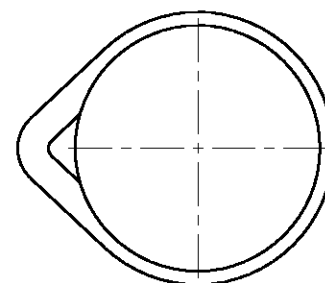
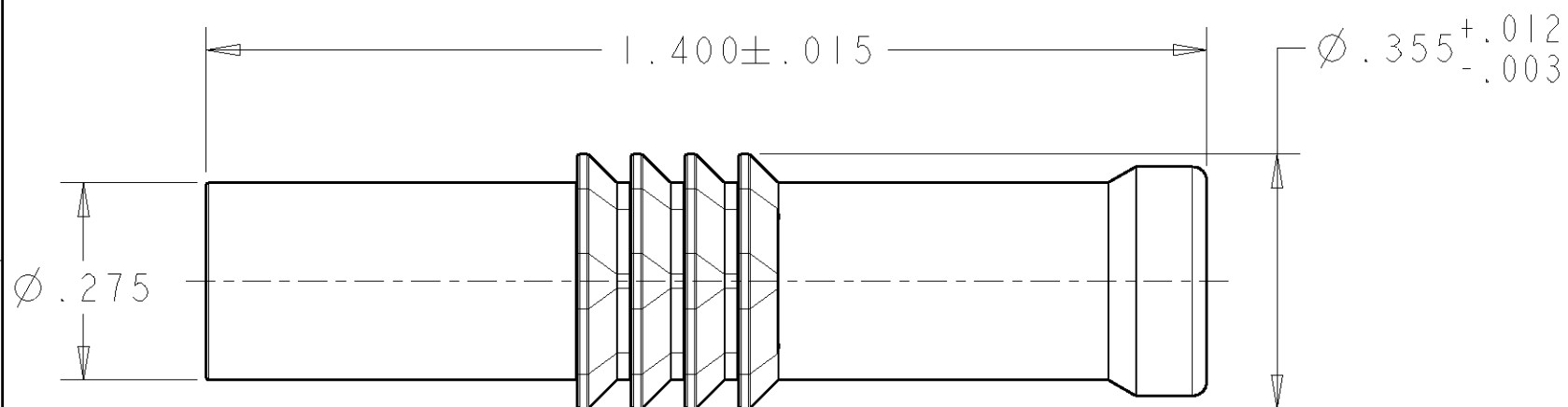
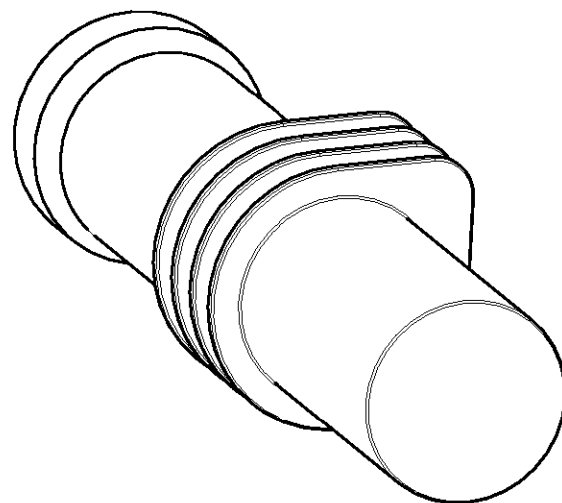
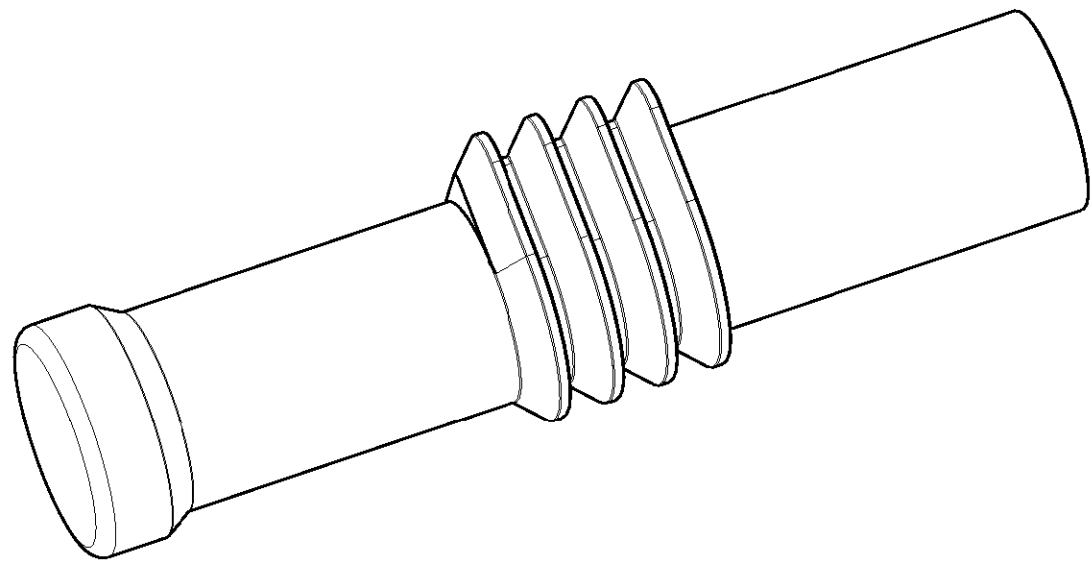


THIS DRAWING IS UNPUBLISHED. RELEASED FOR PUBLICATION 20
 © COPYRIGHT 20 BY TYCO ELECTRONICS CORPORATION. ALL RIGHTS RESERVED.

LOC	DIST	REVISIONS			
P	LTR	DESCRIPTION	DATE	DWN	APVD
DF	A5	B	REV PER ECR-06-001456	19JAN06	BW RW



OBSOLETE
 OBSOLETE
 OBSOLETE

PACKAGE QTY	DESCRIPTION	PART NUMBER
500	SOLID SEALING PLUG	1811633-4
100	SOLID SEALING PLUG	1811633-3
10	SOLID SEALING PLUG	1811633-2
-	-	1811633-1

- 1 MATERIAL: SELF LUBRICATING SILICONE
- 2. COLOR: BLUE
- 3 PARTS PACKAGED IN POLY BAGS IN QUANTITY PER TABLE.

<small>THIS DRAWING IS A CONTROLLED DOCUMENT FOR TYCO ELECTRONICS CORPORATION IT IS SUBJECT TO CHANGE AND THE CONTROLLING ENGINEERING ORGANIZATION SHOULD BE CONTACTED FOR THE LATEST REVISION.</small>		DWN 04JAN2005 Brent D. Yohn CHR 04JAN2005 R.P. WALTER APVD 04JAN2005 R.P. WALTER		tyco Electronics Tyco Electronics Harrisburg, PA 17105-3608	
DIMENSIONS: IN 		TOLERANCES UNLESS OTHERWISE SPECIFIED: 0 PLC ±- 1 PLC ±- 2 PLC ±.01 3 PLC ±.005 4 PLC ±- ANGLES ±-		NAME SEAL, PLUG, QUADRAX	
MATERIAL 		FINISH -		PRODUCT SPEC - APPLICATION SPEC - WEIGHT -	
CUSTOMER DRAWING				SIZE A3 CAGE CODE 00779 DRAWING NO C-1811633 RESTRICTED TO -	
				SCALE 4:1 SHEET 1 OF 1 REV B	