

PART NAME: KNOB

SCALE: 1:1

DATE: 4/14/92

DR. BY HD



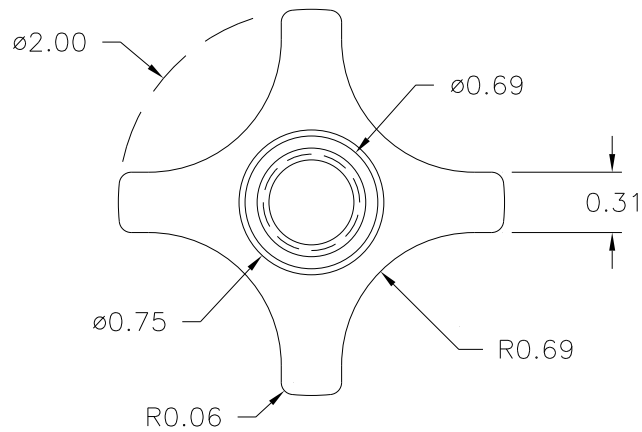
DESIGNERS & MANUFACTURERS OF KNOBS, HANDLES, CASES & CUSTOM PLASTIC COMPONENTS

P/N 2830BL

BASE PART 2830-05

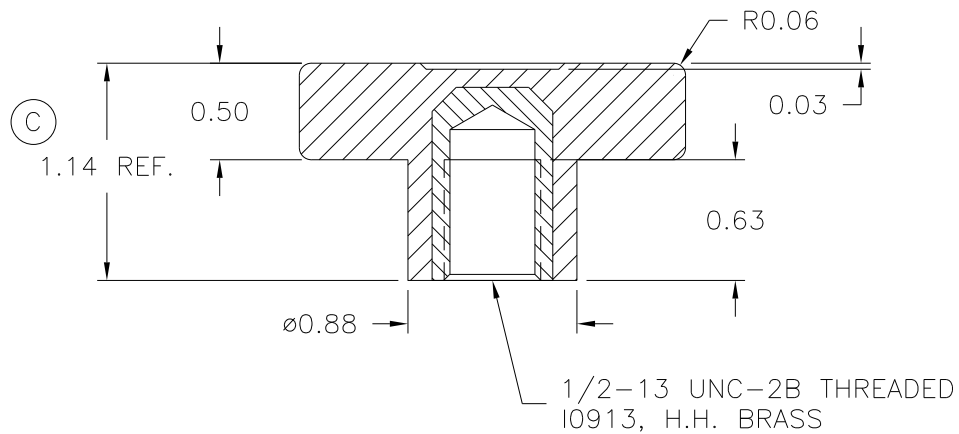
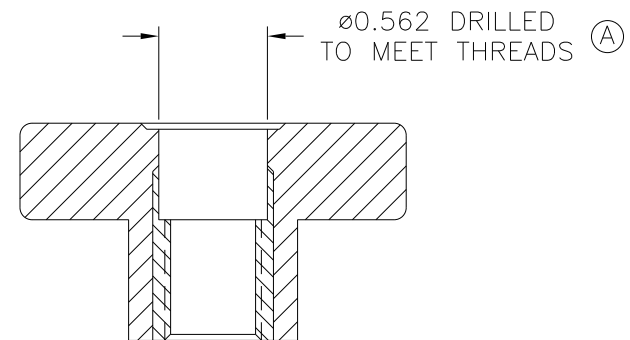
THIS DRAWING IS THE PROPERTY OF DAVIES MOLDING COMPANY, IS SUBMITTED SOLELY AS A DESIGN OR ENGINEERING PROJECT. WE ACCEPT NO RESPONSIBILITY WHATSOEVER FOR THE PRACTICAL APPLICATION OF THE PIECES MADE TO THIS DESIGN.

(D)



(B)

AFTER FINISHING



MATERIAL: #4311 PLENCO PHENOLIC (B41)
COLOR: BLACK

TOLERANCES:
UNLESS OTHERWISE SPECIFIED

DO NOT SCALE
DRAWING

DECIMALS: X.XXX \pm .005
X.XX \pm .015

MM: X.XX \pm 0.15MM
X.X \pm 0.4MM

FRACTIONS \pm 1/64

ANG. \pm 1°

D	ADDED BASE PART	JAM	4/2/14
C	1.17 REF WAS 1.13	RF	6/16/04
B	SHIM WAS .078	ST	5/14/01
-	REDRAWN	TL	11/19/99
A	WAS 14 MM DRILL	HD	10/6/92

CHANGES