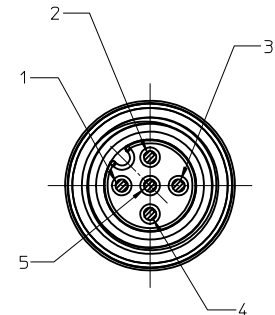
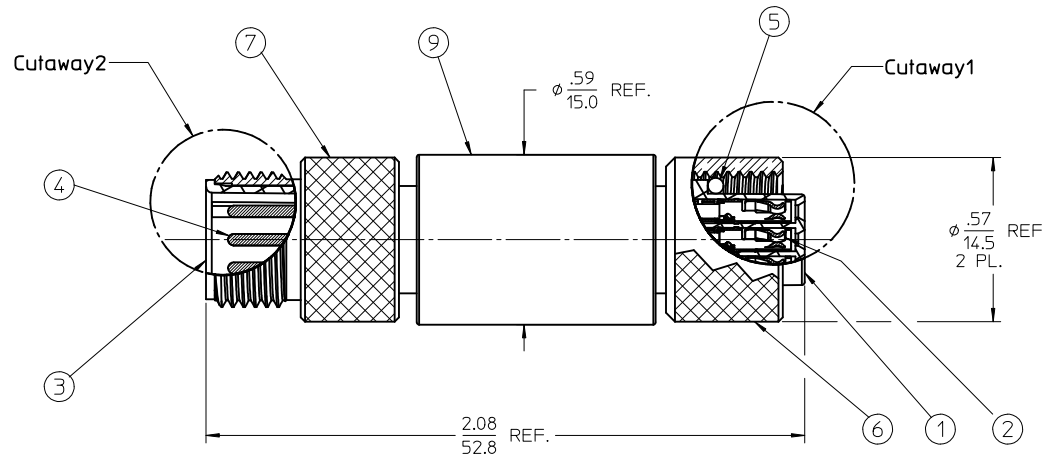
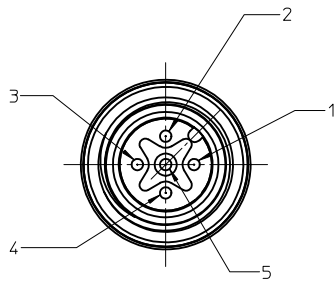
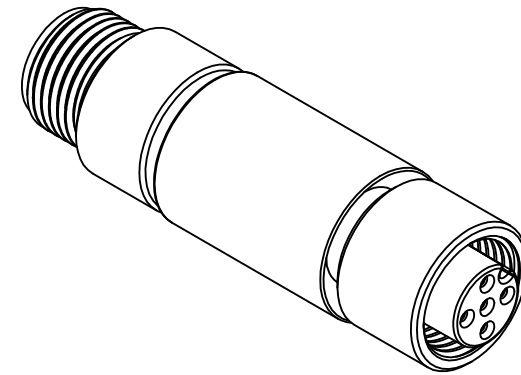
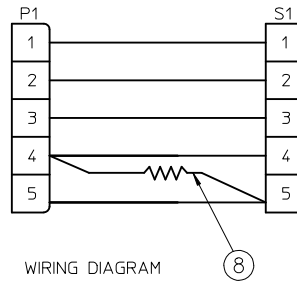


NOTES:

1. MATERIAL: SEE TABLE
2. FINISHES: SEE TABLE
3. PACKAGING: PACKED IN POLY BAG WITH BARCODE LABEL
5. MATES WITH: MIC 5/C CABLE
6. ELECTRICAL SPECIFICATIONS:  
 VOLTAGE RATING: 30VAC, 36 VDC  
 CURRENT RATING: 4.0 AMPS



ITEM	QTY.	DESCRIPTION	MATERIAL	FINISH
9	1	OVERMOLD	PVC	BLACK
8	1	RESISTOR, 1/4 WATT, 121 OHMS	STD. SPEC	
7	1	COUPLING NUT, EXT. THREAD	BRASS	NICKEL PLATED
6	1	COUPLING NUT, INT. THREAD	BRASS	NICKEL PLATED
5	1	O-RING	VITON	RED
4	5	CONTACT PIN	Cu ALLOY	GOLD PLATED
3	1	INSERT, MALE, 5/C	NYLON	BLACK
2	5	CONTACT SOCKET	Cu ALLOY	GOLD PLATED
1	1	INSERT, FEMALE, 5/C	NYLON	BLACK

RELEASED EC NO: MNA2010-0402 DRAWNRSTONE 2010/01/05 CHKD: 2010/01/07 APPR: J.MURPHY 2010/01/07	DESCRIPTION A	QUALITY SYMBOLS ▽=0 ▽=0	GENERAL TOLERANCES (UNLESS SPECIFIED)		DIMENSION STYLE IN/MM	SCALE 3:1	DESIGN UNITS INCH	THIRD ANGLE PROJECTION			
			4 PLACES ± --- ± ---	3 PLACES ± --- ± ---	2 PLACES ± --- ± .01	1 PLACE ± 0.3 ± ---	mm	INCH	DRAWN BY R. STONE	DATE 2009/12/30	TITLE MIC PASS THRU TERMINATOR 5C MALE/FEMALE
			ANGULAR ±1/2°				APPROVED BY J. MURPHY		DATE 2010/01/08	MATERIAL NO. 848549319	
			DRAFT WHERE APPLICABLE MUST REMAIN WITHIN DIMENSIONS				SIZE C		DOCUMENT NO. SD-84854-026		SHEET NO. 1 OF 1

THIS DRAWING CONTAINS INFORMATION THAT IS PROPRIETARY TO MOLEX INCORPORATED AND SHOULD NOT BE USED WITHOUT WRITTEN PERMISSION