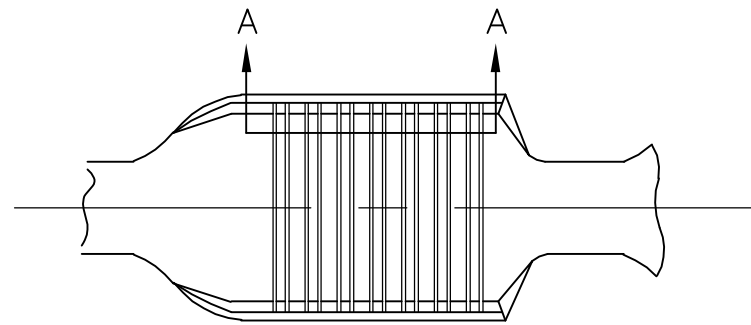
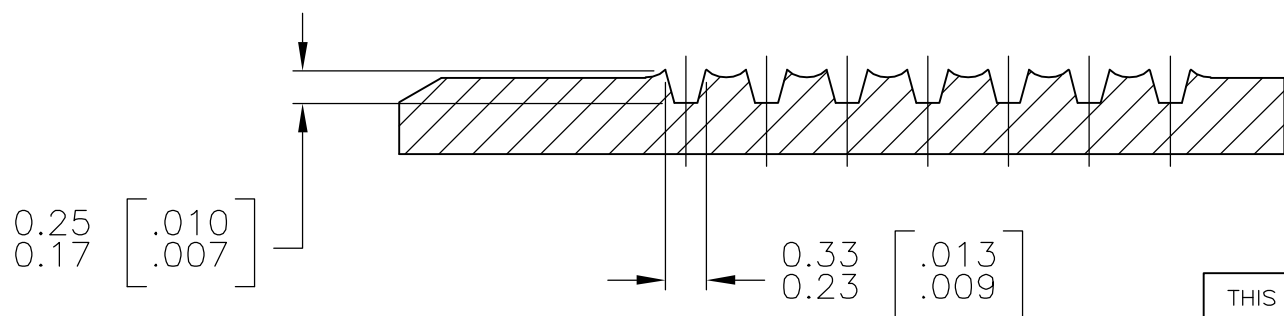
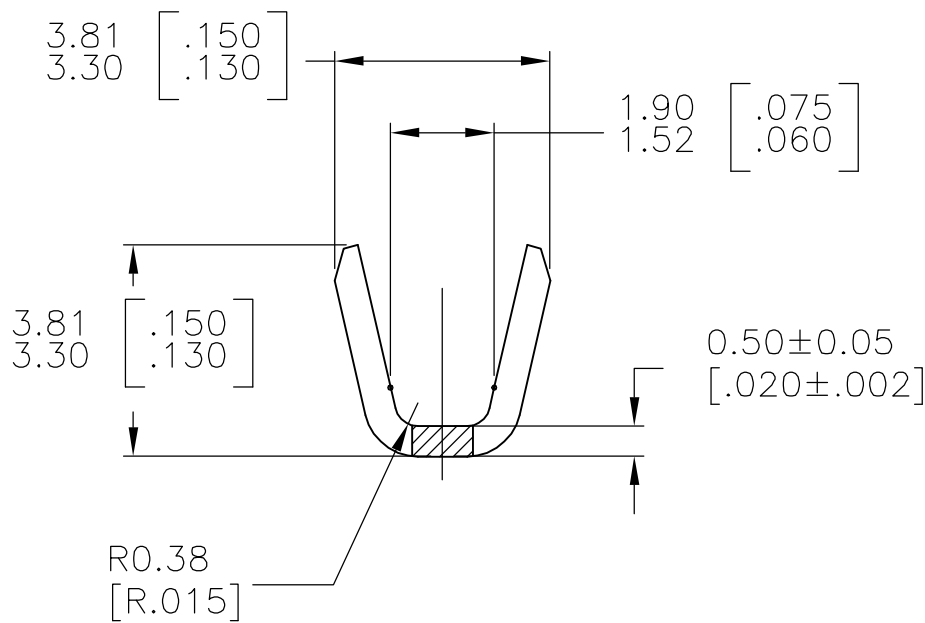
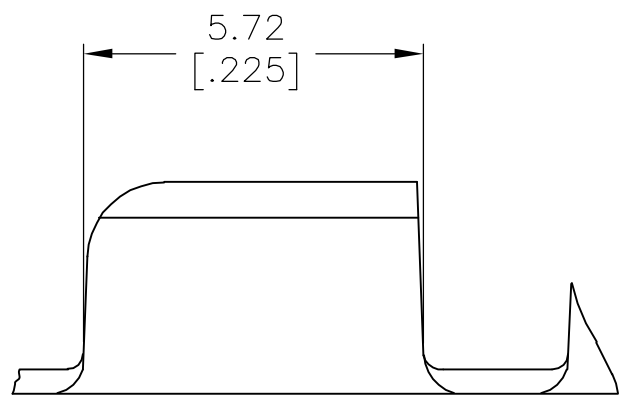


THIS DRAWING IS UNPUBLISHED. RELEASED FOR PUBLICATION
 © COPYRIGHT BY TYCO ELECTRONICS CORPORATION. ALL RIGHTS RESERVED.

| LOC | DIST | REVISIONS | | | | | |
|-----|------|-----------|-----|-----------------------------------|---------|-----|------|
| AF | 50 | P | LTR | DESCRIPTION | DATE | DWN | APVD |
| | | | B1 | ECR-06-023927(REDRAWN IN AUTOCAD) | 18OCT06 | HMR | GP |



- 1 CONTINUOUS STRIP ON REELS
- 2 DIMENSIONS IN BRACKETS ARE IN INCHES



SECTION A-A
SCALE 20:1

| | | |
|--------------|--------|---------|
| 600-3000 CMA | TIN | 62200-2 |
| 600-3000 CMA | NONE | 62200-1 |
| WIRE RANGE | FINISH | PART NO |

| | | | | | | | |
|--|------------------|---------------------------|---|-----------|------------|---------------|--------|
| THIS DRAWING IS A CONTROLLED DOCUMENT. | | DWN RAGHAVENDRA 18OCT2006 | Tyco Electronics Corporation Harrisburg, PA 17105-3608 | | | | |
| DIMENSIONS: mm [INCHES] | | CHK G.D.PORTA | | | | | |
| TOLERANCES UNLESS OTHERWISE SPECIFIED: | | APVD G.D.PORTA | NAME SPLICE, AMPLIVAR 7 SERRATIONS | | | | |
| 0 PLC ± - | | PRODUCT SPEC | | | | | |
| 1 PLC ± - | | APPLICATION SPEC | SIZE | CAGE CODE | DRAWING NO | RESTRICTED TO | |
| 2 PLC ± - | | | A3 | 00779 | C-62200 | | |
| 3 PLC ± 0.38 [.015] | | | CUSTOMER DRAWING | | SCALE 8:1 | SHEET 1 OF 1 | REV B1 |
| 4 PLC ± - | | | | | | | |
| ANGLES ± 1° 0' | | | | | | | |
| MATERIAL BRASS | FINISH SEE TABLE | WEIGHT - | | | | | |