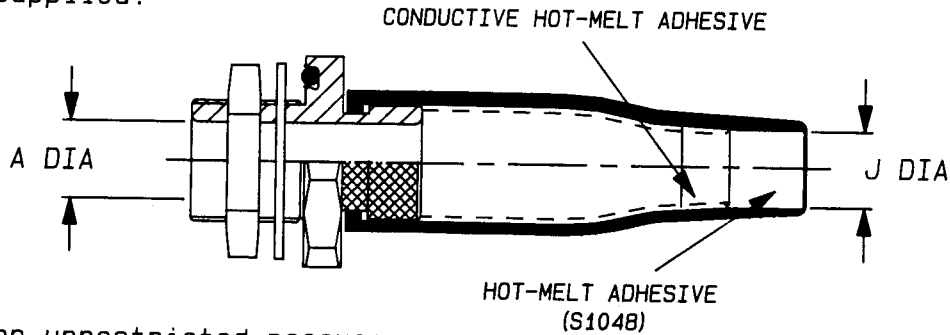
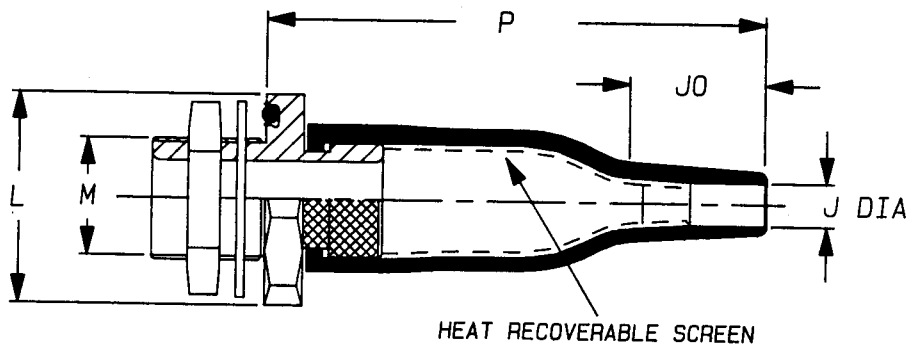


TCFS-**-***-0**-25CW

a) Part as supplied.



b) Part after unrestricted recovery.



KITS TO INCLUDE CLEANING TISSUE, 1 PIECE 100 GRIT EMERY CLOTH & 1 PIECE OF ATUM.
KIT TO BE USED IN CONJUNCTION WITH TCFS INSTALLATION PROCEDURE.

Dimensions (in millimetres)

PART No.	A		J		M	A/F	L	P	JO
	min	min	max	max	THREAD	Nut	NOM	±10%	Ref
		a	b					b	b
TCFS-12	7.4	8	5.0		M12 x 1.5	17	24	50	15
TCFS-16	10.1	13	6.0		M16 x 1.5	22	29	65	17
TCFS-20	14.1	15	7.2		M20 x 1.5	27	34	77	20
TCFS-24	19.1	19	8.5		M24 x 1.5	30	38	90	25
TCFS-30	24.1	24	10.0		M30 x 1.5	36	47	115	30
TCFS-36	30.1	33	15.8		M36 x 1.5	41	52	140	30

Copyright (!)
Urheberrechte

The copyright in this drawing is the property of Raychem Ltd. The drawing is issued on condition that it is not copied, reproduced or disclosed to a third party, either in whole or in part without the prior written consent of Raychem Ltd.

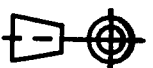
Drawn A.LILLEY. Checked *[Signature]* Issue 1 Date March 1998

Approval Design *[Signature]*

MKTG. *[Signature]*

G.A. *[Signature]*

Conforms to ISO Recommendations
3rd Angle Projection
Not to Scale



Iss.	Date	E.C.R. No.	Details of Change

Material

(-25) DIESEL RESISTANT ELASTOMER

Part Numbering System.

TCFS-**-***-0**-25CW

