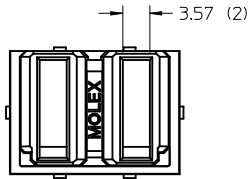
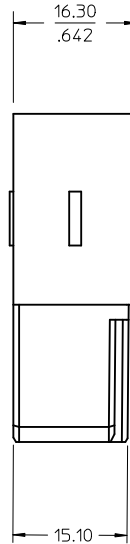
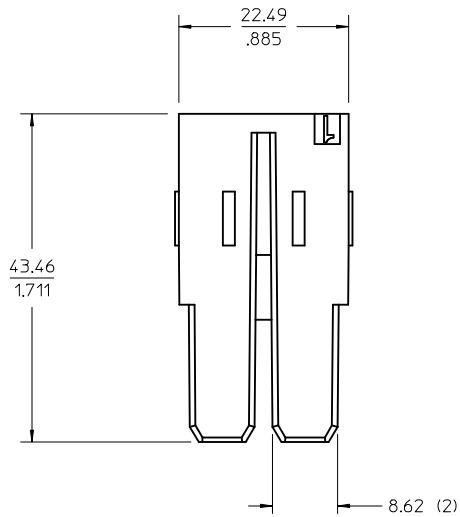


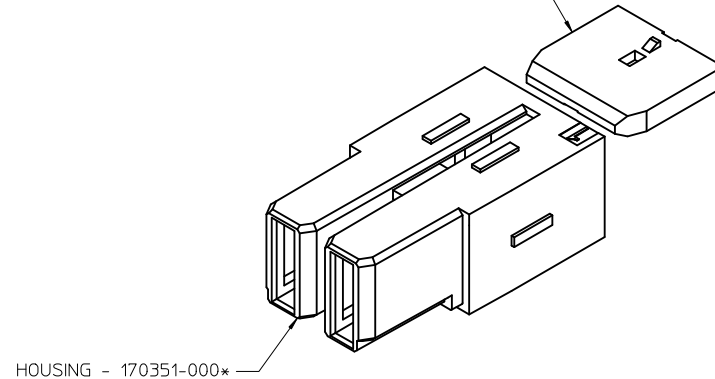
| ITEM NO | PART NUMBER | DESCRIPTION |
|---------|-------------|-------------------|
| 1 | 170351-0002 | FOR 8-10 AWG WIRE |
| 2 | 170351-0003 | FOR 6 AWG WIRE |



NOTES:

1. MATERIAL: PBT UNFILLED 89992-0074
COLOR: BLACK
2. HOUSING FOR USE WITH TERMINAL SERIES 46819
AND CABLE ASSEMBLY SERIES 68790.
3. REQUIRES TPA SD-170352-0002 TO SECURE TERMINALS
4. HOUSING IS ROHS COMPLIANT
5. TPA MUST BE USED WITH HOUSING
6. TPA IS TO BE ORDERED SEPARATELY
7. DO NOT INSERT THE TPA INTO CRIMP HOUSING UNTIL THE
CRIMP TERMINAL WITH WIRES HAS BEEN INSERTED

TPA - 170352-0002
(REF)



HOUSING - 170351-000*

| | | | | | | | | | | |
|--|---|--|--|--|--------------------|--|-------------------------------|-------------------------------|-----------------------|--|
| ADD NOTES/REV VIEW EC NO: UCP2012-3786 DRWN: JUILLES 2012/05/22 CHKD: MKARADIMAS 2012/05/22 APPR: APATEL 2012/06/01 | QUALITY SYMBOLS ▽=0 ▽=0 ▽=0 | GENERAL TOLERANCES (UNLESS SPECIFIED) | | DIMENSION STYLE MM ONLY | | SCALE 2:1 | DESIGN UNITS METRIC | THIRD ANGLE PROJECTION | | |
| | | | | DRAWN BY MKARADIMAS | DATE 2011/08/10 | GUARDIAN CRIMP RECEPTACLE HOUSING 2 CKT | | | | |
| | | | | CHECKED BY APATEL | DATE 2011/08/10 | | | | | |
| | | | | APPROVED BY APATEL | | DATE 2012/01/09 | MOLEX INCORPORATED | | SD-170351-0002 | |
| REV D | DESCRIPTION | ANGULAR ±1/2° | | SEE CHART | | MATERIAL NO. SD-170351-0002 | DOCUMENT NO. | SHEET NO. 1 OF 1 | | |
| DRAFT WHERE APPLICABLE MUST REMAIN WITHIN DIMENSIONS | | THIS DRAWING CONTAINS INFORMATION THAT IS PROPRIETARY TO MOLEX INCORPORATED AND SHOULD NOT BE USED WITHOUT WRITTEN PERMISSION | | | | | | | | |