

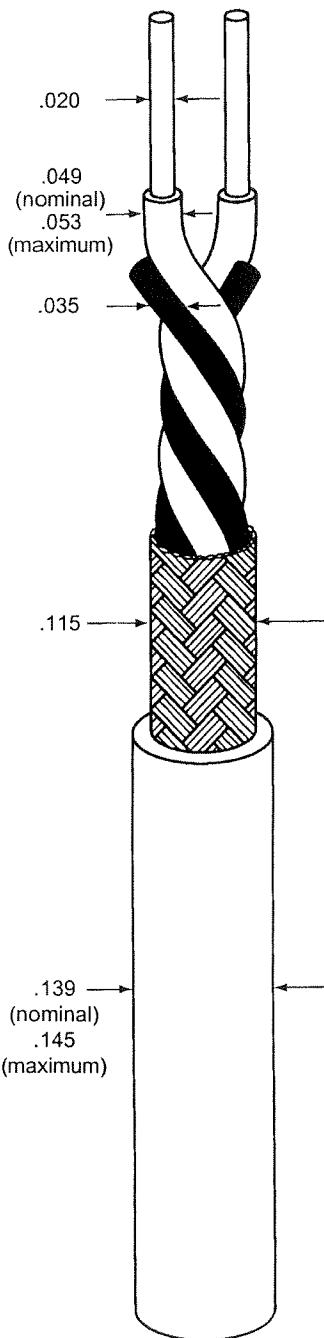
THIS SPECIFICATION SHEET FORMS A PART OF THE LATEST ISSUE OF RAYCHEM SPECIFICATION 1200.

CONSTRUCTION DETAILS

ELECTRICAL CHARACTERISTICS

DIMENSIONS ARE NOMINAL VALUES IN INCHES UNLESS OTHERWISE DESIGNATED.

| | |
|--------------------------|----------------------------------|
| CHARACTERISTIC IMPEDANCE | 120 ± 10 ohms, Method C at 1 MHz |
| CAPACITANCE-MUTUAL | 12.5 pF/ft. (nominal) |
| VELOCITY OF PROPAGATION | 77% (nominal) |



CONDUCTORS
AWG 26, 19 Strands of
AWG 38, Silver-Coated
High Strength Copper
Alloy

DIELECTRICS
Rayfoam[®] H
Colors - White / Light
Blue

FILLERS
Radiation-Crosslinked,
Modified ETFE

SHIELD
AWG 38
Tin-Coated Copper

JACKET
Modified FEP

ADDITIONAL REQUIREMENTS

ELECTRICAL

| | |
|-----------------------------------|--|
| CONDUCTOR RESISTANCE | 42.0ohms/1000ft. (nominal) |
| INSULATION RESISTANCE | 10,000megohms (minimum) for 1000ft. |
| JACKET FLAWS | |
| SPARK TEST | 1.0kV (rms) |
| IMPULSE TEST | 6.0kV (peak) |
| VOLTAGE WITHSTAND (DIELECTRIC) | 1000volts (rms) (minimum) |

ENVIRONMENTAL

| | |
|---|---------------------------|
| FLAMMABILITY | Method B |
| HEAT SHOCK | 225°C |
| LOW TEMPERATURE- COLD BEND | -55°C/3.75 inch mandrel |
| VOLTAGE WITHSTAND (POST ENVIRONMENTAL) | 1000volts (rms), 1 minute |

PHYSICAL

| | |
|---|----------------------------------|
| INSULATION (DIELECTRIC) (Prior to Cabling) | |
| ELONGATION | 50% (minimum) |
| TENSILE STRENGTH | 600lb/in ² (minimum) |
| JACKET | |
| ELONGATION | 200% (minimum) |
| TENSILE STRENGTH | 2000lb/in ² (minimum) |
| JACKET THICKNESS | .012inch (nominal) |
| SHIELD BRAID ANGLE | 18° (minimum), 40° (maximum) |
| SHIELD COVERAGE | 90% (minimum) |

| | |
|--------|---------------------------|
| WEIGHT | 16.0lbs/1000ft. (nominal) |
|--------|---------------------------|

Outer jacket will be Transparent white (designated by a "-9X" appended to the part number, e.g., 2026D0024-9X) unless otherwise specified.

Designate outer jacket color with a dash number in accordance with MIL-STD-681.