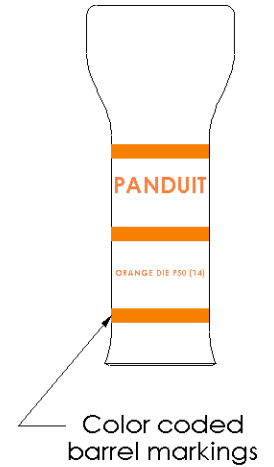
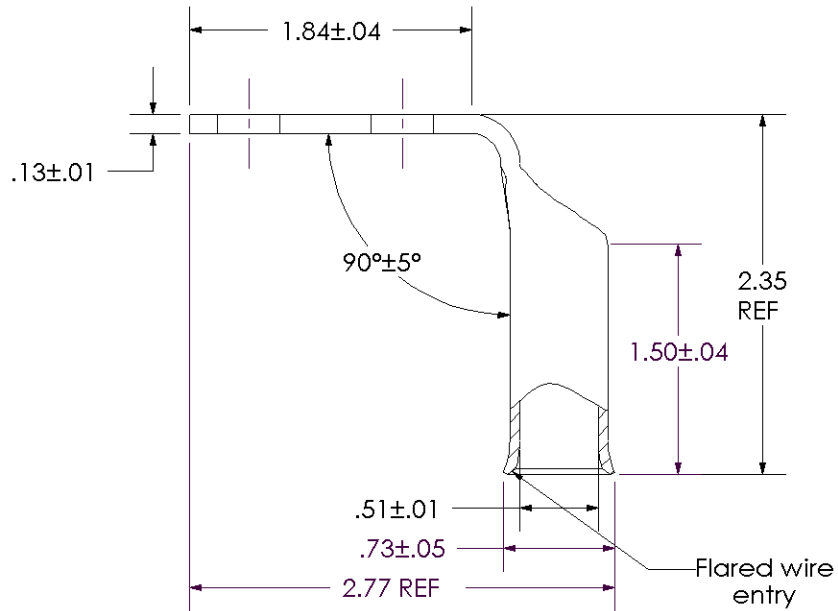
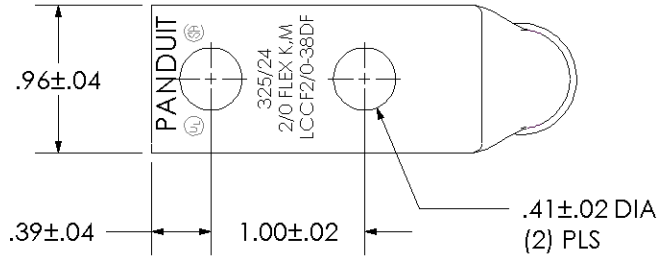


THIS COPY IS PROVIDED ON A RESTRICTED BASIS AND IS NOT TO BE USED IN ANY WAY DETRIMENTAL TO THE INTERESTS OF PANDUIT CORP.

|  |  |
|--|--|
| Material                                       | High Conductivity Seamless Copper Tube   |
| Plating  | Electro-Tin  |
| Wire Size & Type                               | Stranded Copper Flex Cable; 2/0 AWG (325/24) Diesel Locomotive, 2/0 FLEX K,M Class K & Class M   |
| Wire Strip Length                              | 1-9/16 in.   |
| Stud Size                                      | 3/8 in.  |
| UL Listed Wire Connector                       | Yes, for applications up to 35kv. Consult cable manufacturer for voltage stress relief instructions with applications greater than 2000 volts. |
| UL Temperature Rating                          | 90° C  |
| C.S.A Certified Wire Connector                 | Yes  |
| Panduit Color Code on Barrel                   | ORANGE   |
| Panduit Die Index No. on Barrel                | P50  |
| Alternate Industry Die Index No. ( ) on Barrel | (14)   |



**PANDUIT CORP. TINLEY PARK, ILLINOIS**

LCCF2/0-38DF-X  
Copper Lug - Two-Hole, Flared Barrel, 90° Angle Tongue

|     |      |     |     |
|-----|------|-----|-----|
| 00  | 9/02 | SAB | DRL |
| REV | DATE | BY  | CHK |

RELEASED  
DESCRIPTION

10338  
ECN

SCALE  
N/A

DRAWING NO / CAD FILE

LCCF2\_0-38DF-CUST