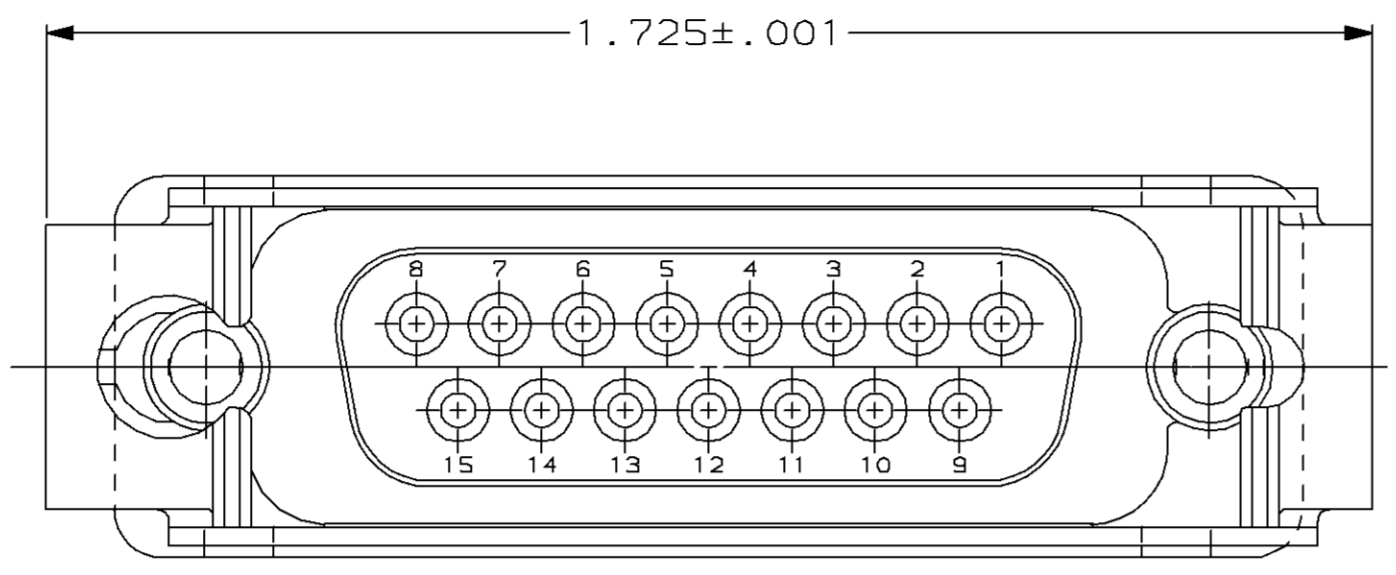


THIS DRAWING IS UNPUBLISHED. RELEASED FOR PUBLICATION ,19 .  
 © COPYRIGHT 19 BY AMP INCORPORATED. ALL INTERNATIONAL RIGHTS RESERVED.

LOC	DIST	P	F	ZONE	LTR	DESCRIPTION	DATE	APPD
BD	48				0	RELEASED	-	-
					A	REVISED PER ECN BD3390	12-11-89	-
					B	REV PER EC 0020-972-93	07/27/93	SB



SLIDELATCH  
 MATL: STAINLESS STEEL  
 QTY: 1

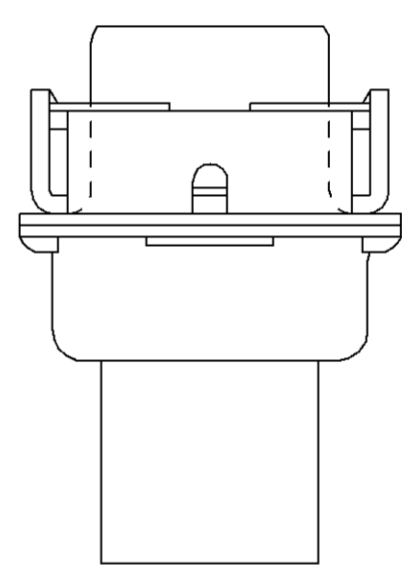
.160 ± .010

EYELET  
 MTL: BRASS  
 FINISH: BRIGHT TIN  
 QTY: 2

MATING FACE

RECEPTACLE CONNECTOR  
 P/N: 205205-2  
 QTY: 1

AMP, 205205-2 & DATE CODE, MARKED  
 IN AREA INDICATED, ON FAR SIDE



748507-1

PART NO

DO NOT SCALE PRINT. UNLESS SPECIFIED DIMENSIONS IN INCHES TOLERANCES ON : 2 PLC DEC ± - 3 PLC DEC ± - ANGLES ± -	DR 10-29-87 L.SIPE	AMP INCORPORATED Harrisburg, Pa. 17105	
	CHK 11-2-87 C.RICHARD		
MATERIAL	APPD 11-4-87 S.SCHIEFERLY	RECEPTACLE ASSEMBLY, SIZE 2, 15 POSN, W/ SLIDELATCH, AMPLIMITE® HDP-20	
SEE CALLOUTS	APPD 1-29-88 V.KUMAR	SIZE	FSCM NO
FINISH	APPLICATION SPEC	<b>C</b> 00779	DRAWING NO
SEE CALLOUTS	WEIGHT -	SCALE 4:1	748507
			SHEET 1 OF 1