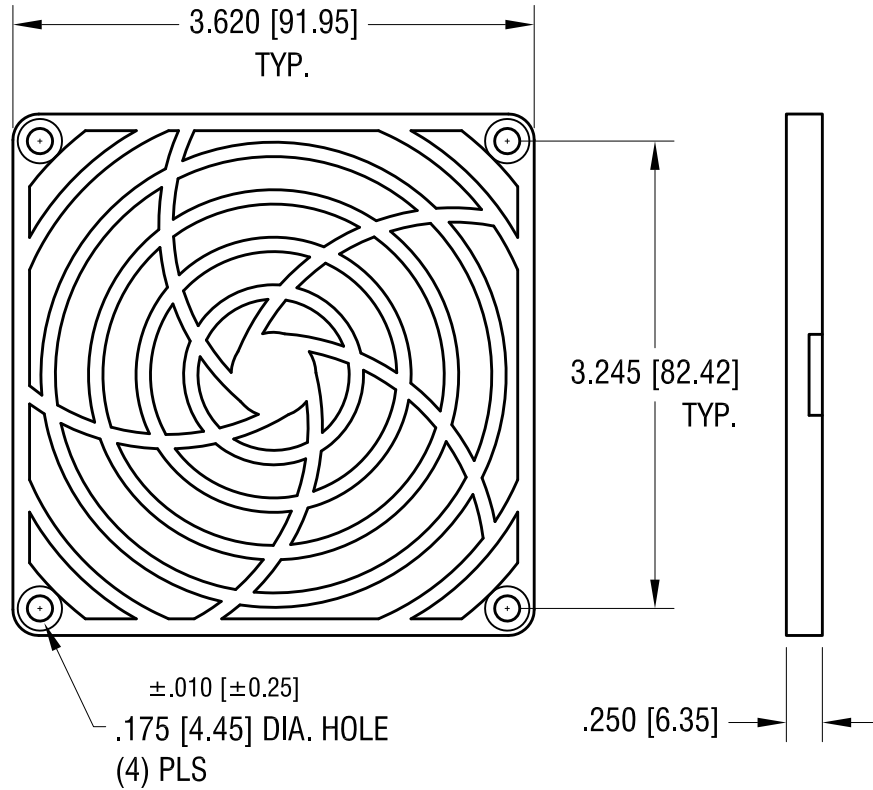


THIS DOCUMENT IS THE PROPERTY OF
KEYSTONE ELECTRONICS CORP. AND
SHALL NOT BE REPRODUCED, DISTRIBUTED
OR USED AS A BASIS FOR MANUFACTURE
WITHOUT PRIOR WRITTEN PERMISSION
FROM KEYSTONE ELECTRONICS CORP.



KEYSTONE ELECTRONICS CORP.

www.keyelco.com • ASTORIA, N.Y. 11105-2017 • Tel (718) 956-8900

PART NAME		STANDARD FAN GUARD	
MATERIAL		ABS UL 94V-0	
FINISH	-	DRN BY	BOONE
		APP'D	LN
		DATE	10.17.97
		SCALE	.75X
TOLERANCES	INCH [MM]	CODE	DWG NO.
DECIMAL	±.020 [±0.50]	C	8462
ANGULAR	± 1°		
UNLESS OTHERWISE SPECIFIED			

7.31.00	CHANGE AS PER ECN 00-072	A
DATE	DESCRIPTION	REV.