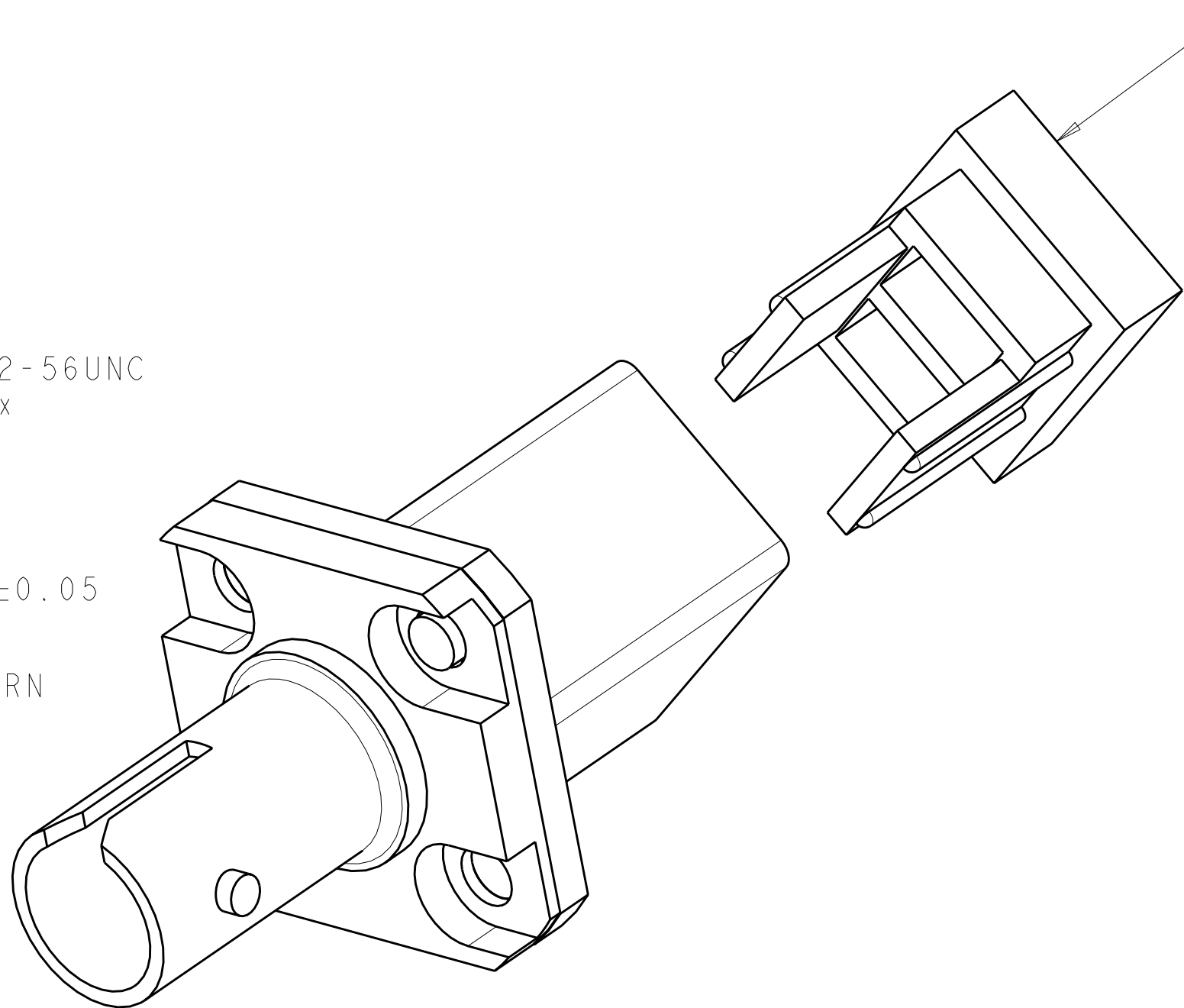
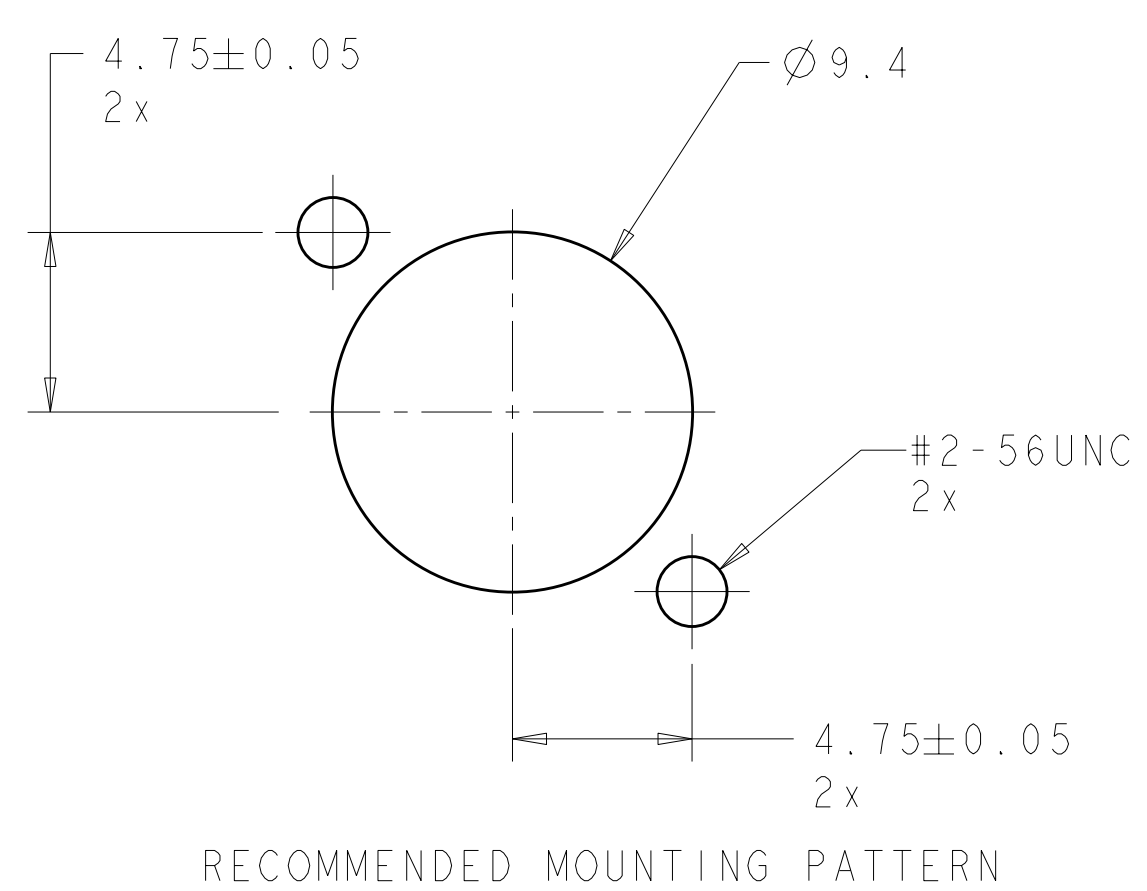
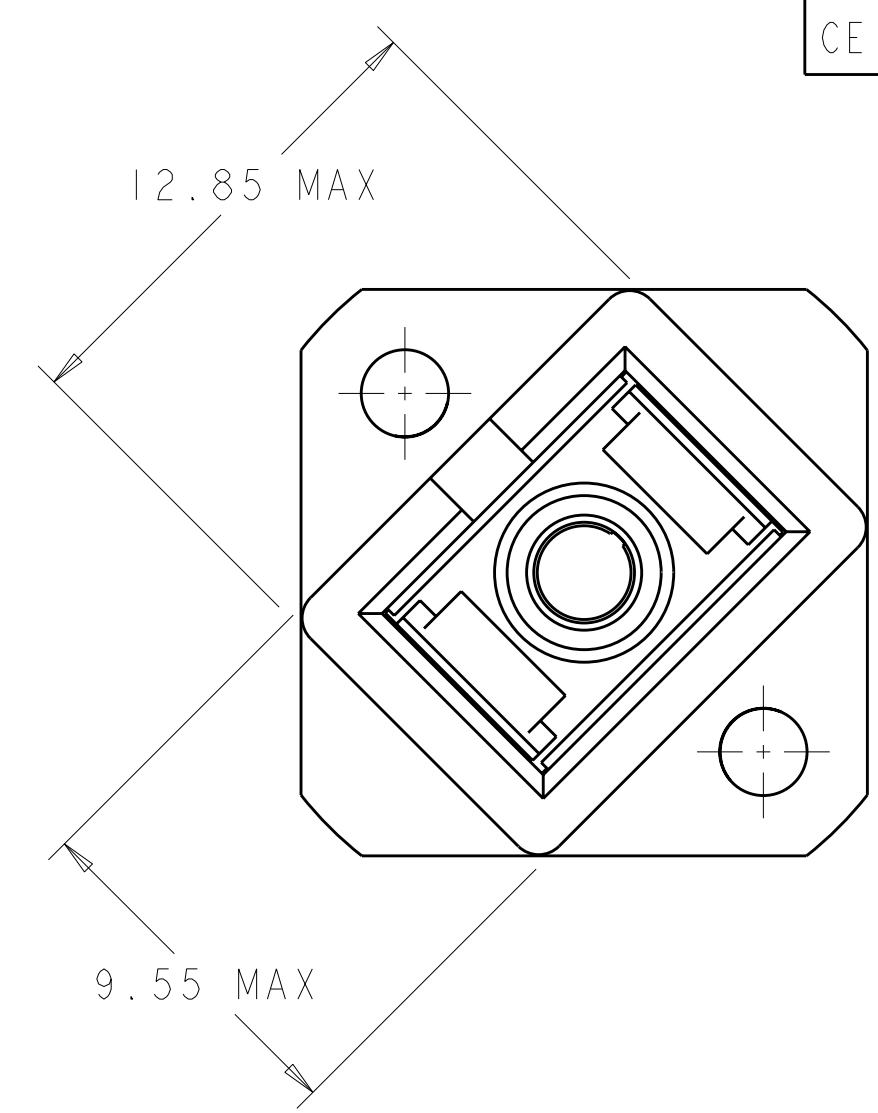
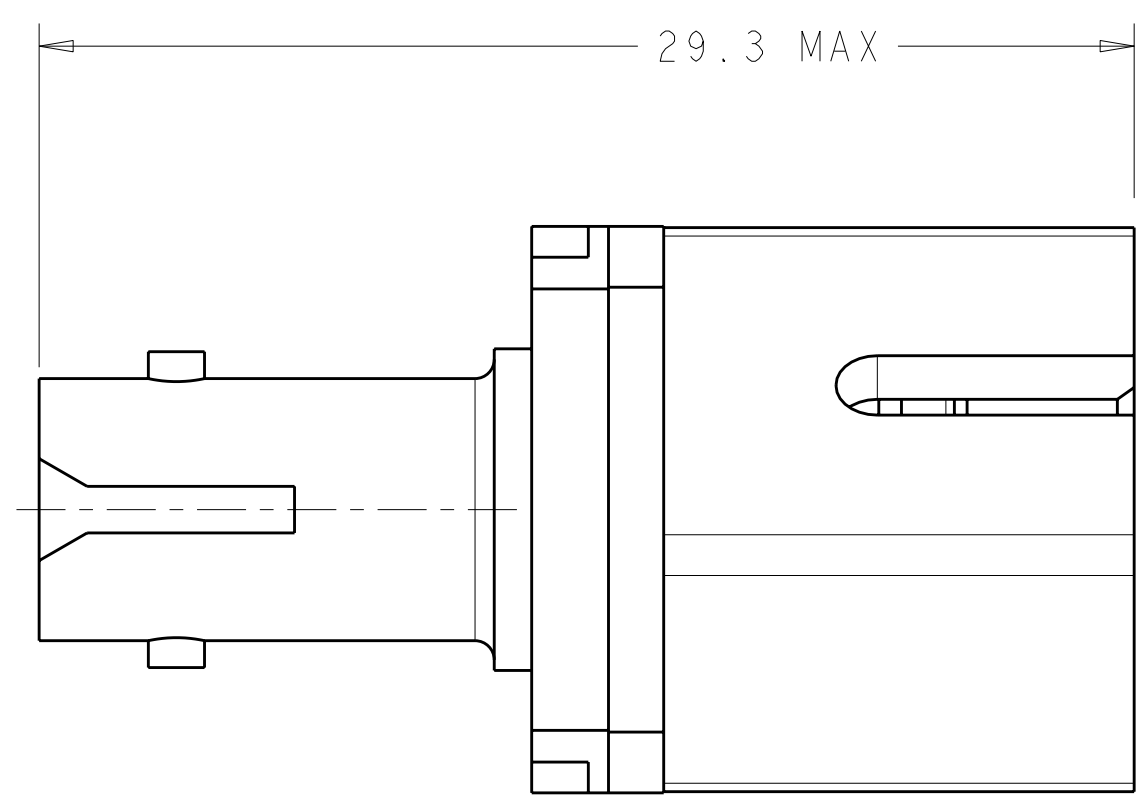
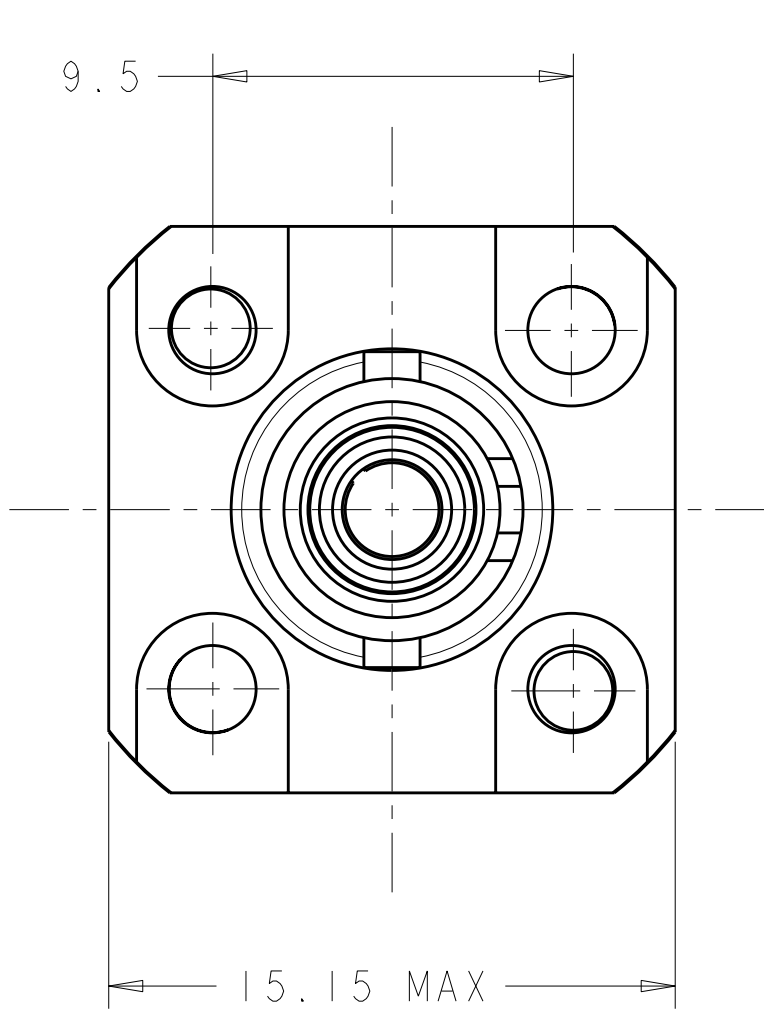


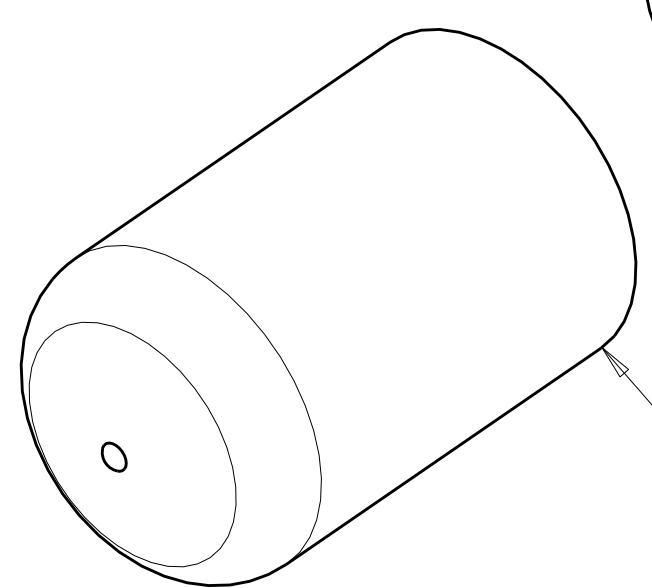
THIS DRAWING IS UNPUBLISHED. RELEASED FOR PUBLICATION 20
 © COPYRIGHT 20 BY TYCO ELECTRONICS CORPORATION. ALL RIGHTS RESERVED.

LOC	DIST	REVISIONS					
CE	00	P	LTR	DESCRIPTION	DATE	DWN	APVD
		A		RELEASE TO ACTIVE	07JUN2006	BB	SM
		B		REVISE PER ECR-07-013451	26JUN2007	BB	SM



PROTECTIVE COVER

△ MATERIAL:
 BODY: ZINC DIECAST, NICKEL PLATED
 SLEEVE: SEE DASH NUMBERS
 PROTECTIVE CAP: VINYL
 PROTECTIVE COVER: TPE, COLOR: BLACK*
 RETAINER: PEI-GF30, COLOR: BLACK*
 *UL94 V-0 RATED AT QUALIFYING THICKNESS.



PROTECTIVE CAP

CERAMIC	5503638-2
METAL	5503638-1
ALIGNMENT SLEEVE	PART NUMBER

THIS DRAWING IS A CONTROLLED DOCUMENT FOR TYCO ELECTRONICS CORPORATION. IT IS SUBJECT TO CHANGE AND THE CONTROLLING ENGINEERING ORGANIZATION SHOULD BE CONTACTED FOR THE LATEST REVISION.		DWN	B. BRIGGS	06JUN2005	Tyco Electronics Harrisburg, PA 17105-3608	
DIMENSIONS:		CHK	S. MILLER	06JUN2005		
TOLERANCES UNLESS OTHERWISE SPECIFIED:		APVD	S. BUCHTER	06JUN2005		
mm		PRODUCT SPEC				
0 PLC ± 1 PLC ±0.1 2 PLC ±0.13 3 PLC ± 4 PLC ± ANGLES ± FINISH		APPLICATION SPEC			NAME	ASSEMBLY, COUPLING BUSHING, 2.5mm BAYONET TO AMP SC
MATERIAL		WEIGHT			SIZE	A2
△		CUSTOMER DRAWING			CAGE CODE	00779
		SCALE		5:1	DRAWING NO	5503638
		SHEET		1	RESTRICTED TO	
		OF		1	REV	B