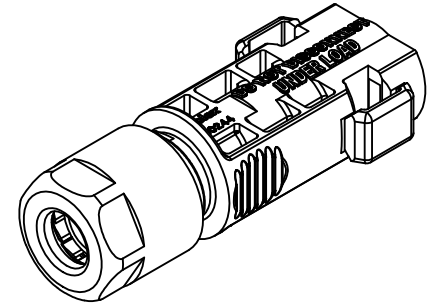
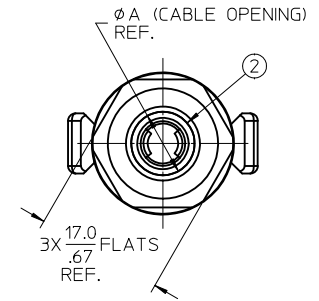
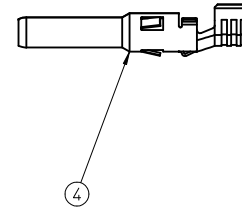
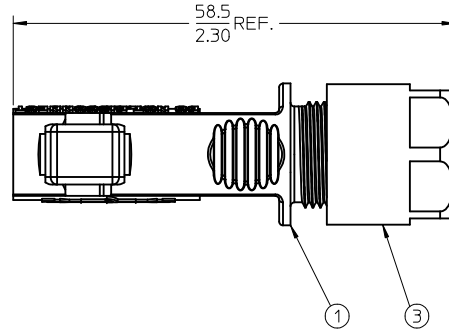
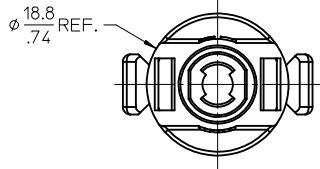
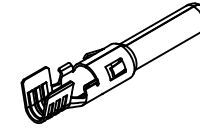


1302441204	2.5 mm ² / 14 AWG	5.8-6.7 / .23-.26	7.0 / .28
1302441202	4.0-6.0 mm ² / 12-10 AWG	6.7-7.8 / .26-.31	8.4 / .33
MATERIAL NO.	CABLE SIZE	CABLE Ø RANGE	DIM. "A"



12-10 AWG SHOWN



NOTES:

1. MATERIALS: SEE TABLE
2. FINISHES: SEE TABLE
3. PRODUCT SPECIFICATION: PS-130244-001
4. PACKAGING SPECIFICATION: PK-130244-022
5. MATES WITH: 1302441201 OR 1302441203
6. ASSEMBLY IS ROHS COMPLIANT.
7. 5 ASSEMBLIES PER KIT.

ITEM	QTY	DESCRIPTION	MATERIAL	FINISH
4	1	CONTACT, PIN	COPPER ALLOY	SELECTIVE SILVER
3	1	CABLE RETENTION NUT	POLYCARBONATE (PC)	BLACK
2	1	CABLE GROMMET	SILICONE	TRANSLUCENT
1	1	PIN HOUSING	POLYCARBONATE (PC)	BLACK

PRELIMINARY EC NO: WNA2011-0336 DRAWN: CLYORK CHKD: DTITUS APPR: DTITUS	2010/12/15	2010/12/17
	DESCRIPTION	REV

QUALITY SYMBOLS
▽=0
▽=0

GENERAL TOLERANCES (UNLESS SPECIFIED)
4 PLACES ± .10 ± .005
3 PLACES ± .10 ± .005
2 PLACES ± 0.13 ± .010
1 PLACE ± 0.25 ± .010
ANGULAR ± 2 °
DRAFT WHERE APPLICABLE MUST REMAIN WITHIN DIMENSIONS

DIMENSION STYLE	MM/IN
DRAWN BY	DATE
CYORK	2010/08/13
CHECKED BY	DATE
DTITUS	2010/08/13
APPROVED BY	DATE
DTITUS	2010/12/06
MATERIAL NO.	SEE CHART
SIZE	C

SCALE	2:1
DESIGN UNITS	METRIC
THIRD ANGLE PROJECTION	
TITLE	PIN ASSEMBLY KIT, PV SOLAR DC CONNECTOR, 14-10 AWG
MOLEX INCORPORATED	
DOCUMENT NO.	SD-130244-022
SHEET NO.	1 OF 1
THIS DRAWING CONTAINS INFORMATION THAT IS PROPRIETARY TO MOLEX INCORPORATED AND SHOULD NOT BE USED WITHOUT WRITTEN PERMISSION	