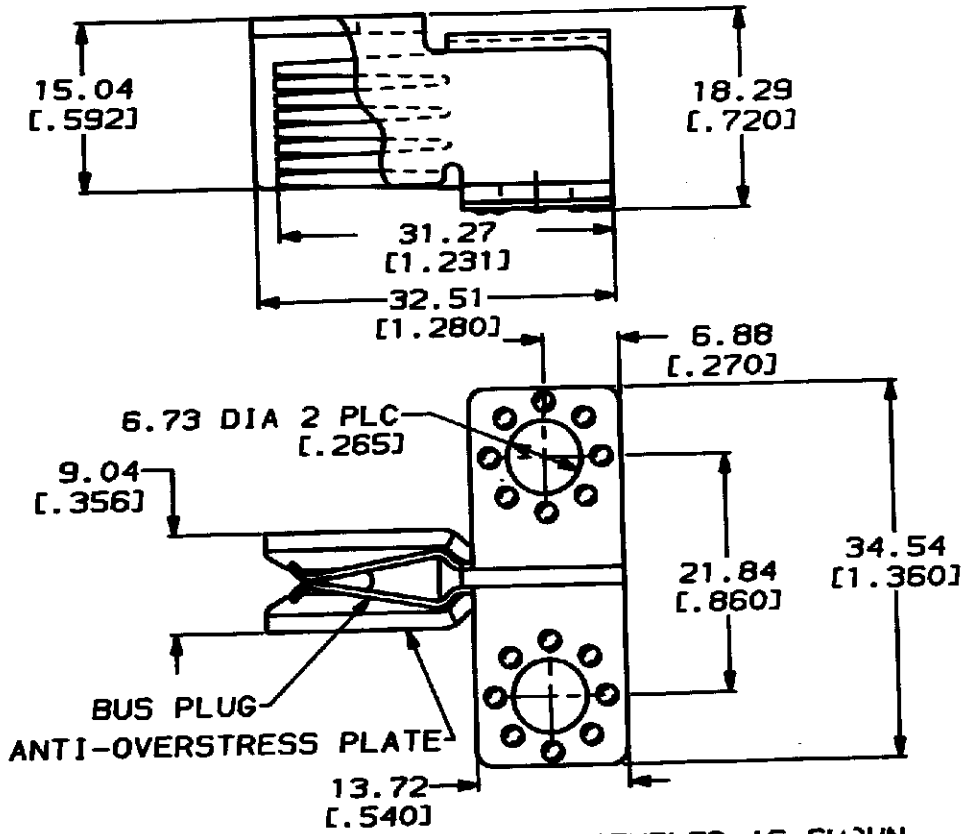


DRAWING MADE IN THIRD ANGLE PROJECTION

LOC	DIST	P	F	LTR	DESCRIPTION	DATE	APPROVED
BG	5				REVISION PER BG 648	04/92	<i>Gene</i>

THIS DRAWING IS UNPUBLISHED. RELEASED FOR PUBLICATION BY AMP OF CANADA LTD. ALL INTERNATIONAL RIGHTS RESERVED. COPYRIGHT 19



1. PARTS ASSEMBLED AS SHOWN
2. ALL DIMENSIONS REFERENCE ONLY



104736-1
PART NO

DO NOT SCALE PRINT. UNLESS SPECIFIED DIMENSIONS IN mm (IN) TOLERANCES ON:		DR 18-3-90 0 DENTY GPC 6.4-11-90		AMP AMP of CANADA Ltd. Markham, Ont.	
MATERIAL BUS PLUG: COPPER ALLOY ANTI-OVERSTRESS PLATE: S.S.		PRODUCT SPEC 108-1380		NAME AMP PDS 062F BUS PLUG W/GUIDE (SHORT)	
FINISH BUS PLUG: Ag/Ni ANTI-OVERSTRESS PLATE: PASSIVATED		APPLICATION SPEC 114-2130		SIZE A	CASE CODE 09482
AMP 1488-32 REV 11-88		WEIGHT -		DRAWING NO 104736	SCALE NTS
				SHEET 1 of 1	

CUSTOMER DRAWING