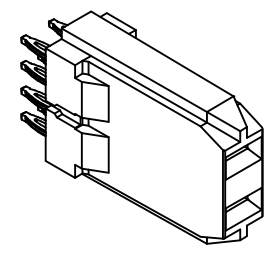
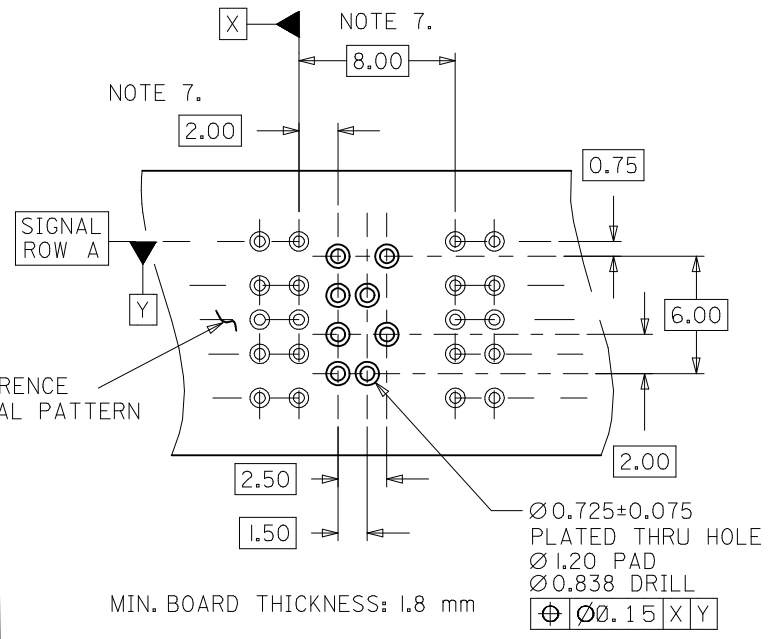
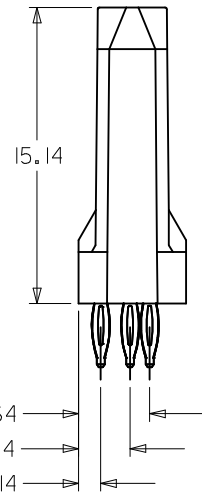
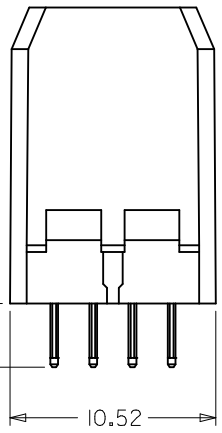
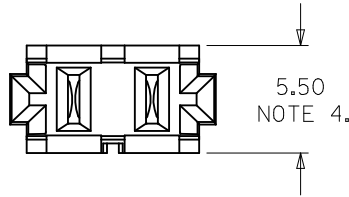
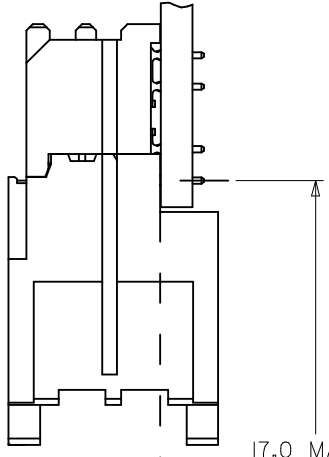


ASSEMBLY #	CONTACT PLATING
74029-6000	SEE NOTE 2.
74029-6050	SEE NOTE 3.



12.44 MAX.  
NOTE 5.  
REF.

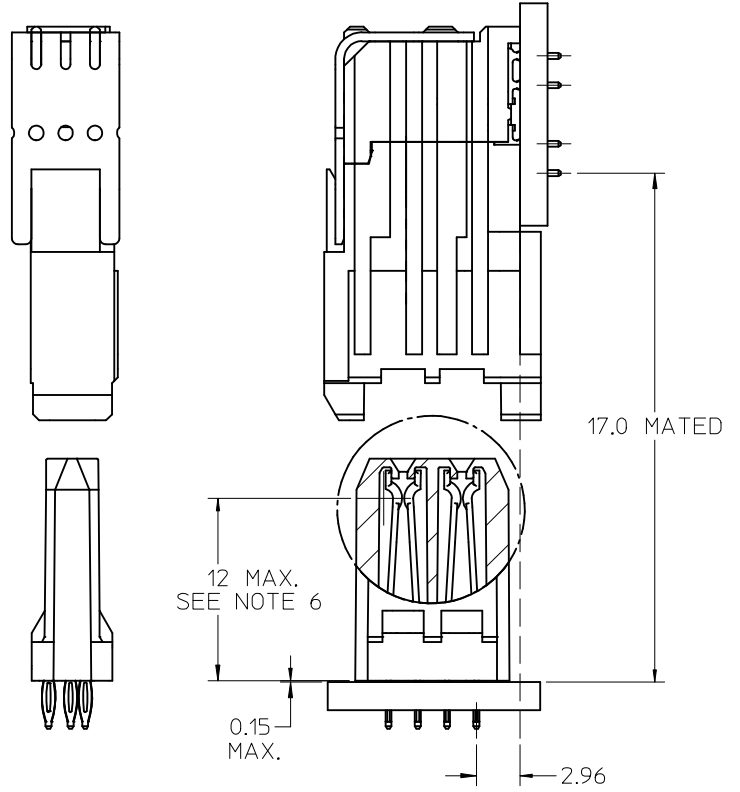
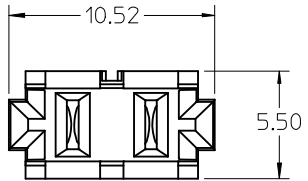
THE PRIMARY CARTON WITH A LABEL STATING "ELV AND RoHS COMPLIANT" IS LEAD FREE. CARTONS WITHOUT THIS LABEL MAY CONTAIN LEAD.

- NOTES:**
- MATERIALS:** HOUSING - GLASS FILLED LIQUID CRYSTAL POLYMER, UL 94V-0, BLACK; TERMINAL - COPPER ALLOY.
  - FINISH:** SELECT GOLD IN CONTACT AREA, 30 microINCH THICK; MATTE TIN IN COMPLIANT AREA.
  - FINISH:** SELECT GOLD IN CONTACT AREA, 50 microINCH THICK; MATTE TIN IN COMPLIANT AREA.
  - USE 6.0 mm NOMINAL FOR BACKPLANE LAYOUT.
  - DIMENSION IS MEASURED FROM BOTTOM OF HOUSING.
  - PACKED PER PK-70873-0876.
  - THIS DIMENSION TO BE MULTIPLE OF 2.00 mm AS REQUIRED.

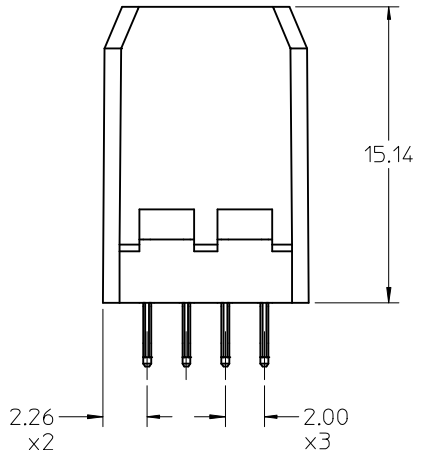
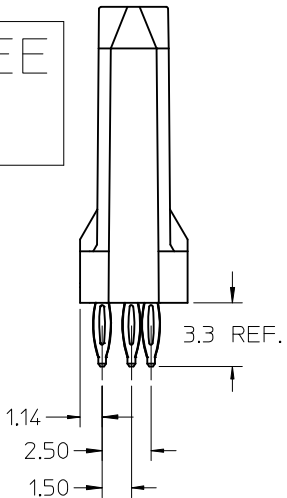
LEAD FREE CONVERSION	EC NO:	DRAWN BY	CHKD BY	APPR: SMILLER	DESCRIPTION	QUALITY SYMBOLS	GENERAL TOLERANCES (UNLESS SPECIFIED)		DIMENSION STYLE		SCALE	DESIGN UNITS	THIRD ANGLE PROJECTION
							mm	INCH	MM ONLY	MM ONLY			
		2012/12/07	2012/12/07	2012/12/17			4 PLACES	± ---	± ---	DRAWN BY	DATE	TITLE	
		RWHIPPLE	MWOLFE	SMILLER			3 PLACES	± ---	± ---	CHECKED BY	DATE	HSD POWER 5 ROW BACKPLANE SALES ASSEMBLY	
							2 PLACES	± ---	± ---	APPROVED BY	DATE		<b>molex</b>
							1 PLACE	± ---	± ---	SMILLER	2012/12/17	DOCUMENT NO.	
							0 PLACE	± ---	± ---	MATERIAL NO.		SD-74029-006	1 OF 1
							ANGULAR ±1/2° DRAFT WHERE APPLICABLE MUST REMAIN WITHIN DIMENSIONS		SEE CHART		THIS DRAWING CONTAINS INFORMATION THAT IS PROPRIETARY TO MOLEX INCORPORATED AND SHOULD NOT BE USED WITHOUT WRITTEN PERMISSION		

NOTES:

1. MATERIALS:  
HOUSING - LIQUID CRYSTAL POLYMER (LCP),  
UL94 V-0, COLOR: BLACK.  
TERMINAL - COPPER ALLOY
2. FINISH: SELECTIVE GOLD ON MATING SURFACE,  
MATTE TIN ON TAILS; NICKEL UNDERPLATE.
3. THIS PART CONFORMS TO PRODUCT SPECIFICATION  
PS-74031-999.
4. SINGLE ROW ASSEMBLY PACKAGED PER PK-70873-0876.
5. MATES WITH 74026 SERIES DAUGHTERCARD POWER ASSEMBLY.
6. MATING INTERFACE MEASURED FROM BOTTOM OF HOUSING.



LEAD-FREE  
PLATING



MOLEX P/N	GOLD THICKNESS (MINIMUM)	TAIL PLATING
74029-6000	30 MICROINCHES	MATTE TIN
74029-6050	50 MICROINCHES	

ADD LEADED P/N	DESCRIPTION
EC NO: UCP2013-0146	
DRW:SVANG01	2012/07/12
CHKD:WOLFE	2012/07/12
APPR:SMILLER	2012/08/06

QUALITY SYMBOLS
$\nabla = 0$
$\nabla = 0$
$\nabla = 0$

GENERAL TOLERANCES (UNLESS SPECIFIED)	
mm	INCH
4 PLACES ± ---	± ---
3 PLACES ± ---	± ---
2 PLACES ± 0.25	± ---
1 PLACE ± 0.38	± ---
0 PLACE ±	±
ANGULAR ± 1/2°	
DRAFT WHERE APPLICABLE MUST REMAIN WITHIN DIMENSIONS	

DIMENSION STYLE	
MM ONLY	
DRAWN BY	DATE
ELO	2003/07/14
CHECKED BY	DATE
STANFORD	2003/07/17
APPROVED BY	DATE
BIXLER	2003/07/21
MATERIAL NO.	
SEE TABLE	

**SINGLE ROW ASSEMBLY**

SCALE 4:1 DESIGN UNITS METRIC

THIRD ANGLE PROJECTION

TITLE: **VHDM/HSD POWER 6 ROW BACKPLANE SALES DRAWING**

**molex**

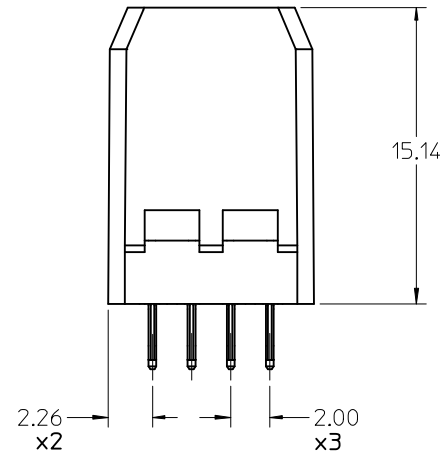
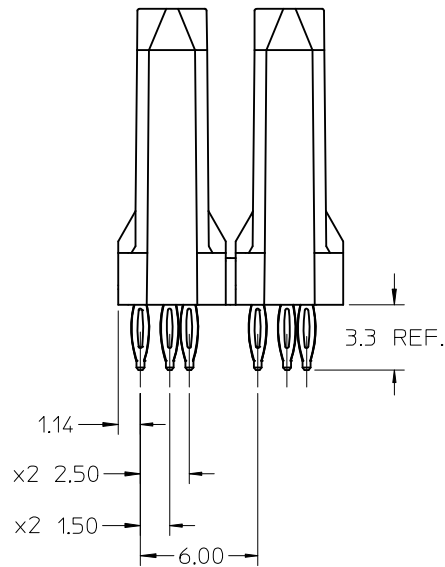
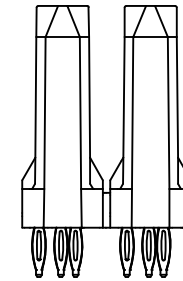
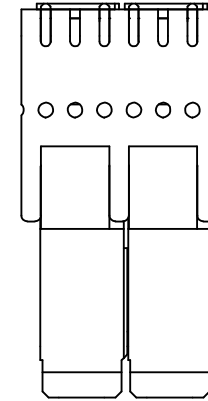
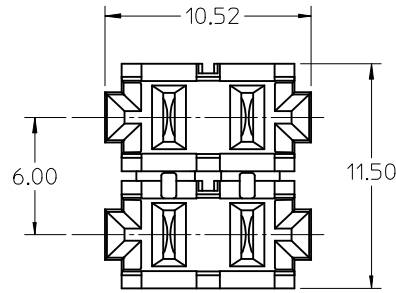
DOCUMENT NO. SD-74029-011 SHEET NO. 1 OF 3

THIS DRAWING CONTAINS INFORMATION THAT IS PROPRIETARY TO MOLEX INCORPORATED AND SHOULD NOT BE USED WITHOUT WRITTEN PERMISSION

10 9 8 7 6 5 4 3 2 1

**NOTES:**

1. THIS DESIGN INTENDED AS OPTION TO HAVING TWO SINGLE ROW MODULES NEXT TO EACH OTHER.
2. FINISH: SELECTIVE GOLD ON MATING SURFACE; TIN/LEAD OR MATTE TIN ON TAILS; NICKEL UNDERPLATE.
3. DUAL ROW ASSEMBLIES PACKED PER PK-70873-545.



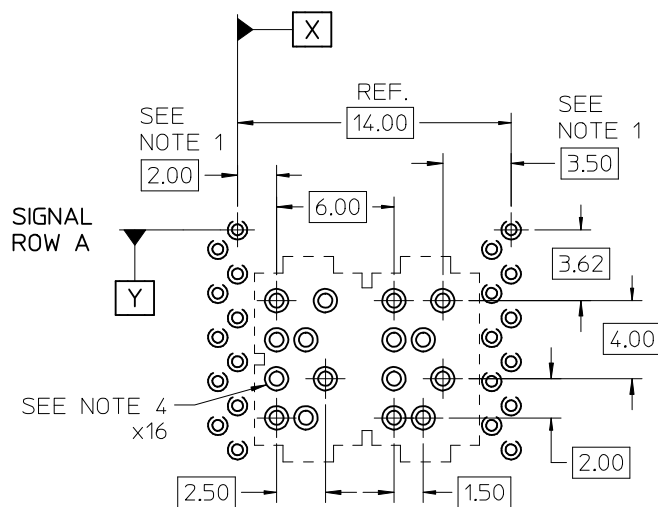
**DUAL ROW ASSEMBLY**

MOLEX P/N	GOLD THICKNESS (MINIMUM)	TAIL PLATING
74029-6002	30 MICROINCHES	MATTE TIN
74029-6052	50 MICROINCHES	
74029-6902	30 MICROINCHES	TIN/LEAD
74029-6952	50 MICROINCHES	

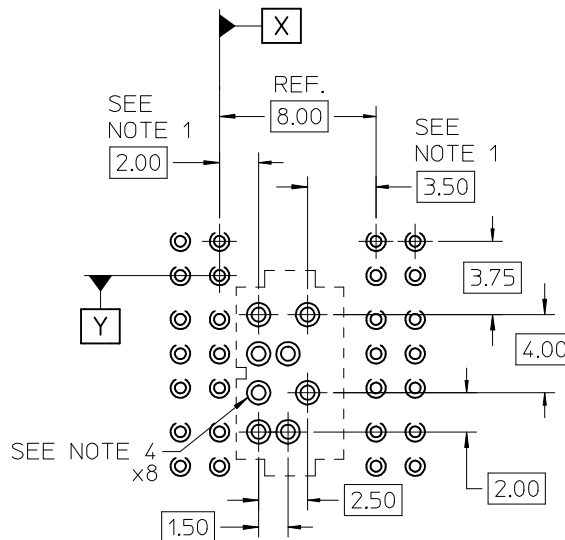
SEE SHEET 1 EC NO: UCP2013-0146 DRWN:SVANG01 2012/07/12 CHKD:MWOLF 2012/07/12 APPR:SMILLER 2012/08/06	QUALITY SYMBOLS	GENERAL TOLERANCES (UNLESS SPECIFIED)	DIMENSION STYLE	SCALE	DESIGN UNITS	THIRD ANGLE PROJECTION
	∇=0 ∇=0 ∇=0	mm INCH 4 PLACES ± --- ± --- 3 PLACES ± --- ± --- 2 PLACES ± 0.25 ± --- 1 PLACE ± 0.38 ± --- 0 PLACE ± ±	MM ONLY	4:1	METRIC	DRAWN BY DATE ELO 2003/07/14 CHECKED BY DATE STANFORD 2003/07/17 APPROVED BY DATE BIXLER 2003/07/21
		ANGULAR ±1/2°	MATERIAL NO.	TITLE	DOCUMENT NO.	SHEET NO.
		DRAFT WHERE APPLICABLE MUST REMAIN WITHIN DIMENSIONS	SEE TABLE	VHDM/HSD POWER 6 ROW BACKPLANE SALES DRAWING	SD-74029-011	2 OF 3
		SIZE B	THIS DRAWING CONTAINS INFORMATION THAT IS PROPRIETARY TO MOLEX INCORPORATED AND SHOULD NOT BE USED WITHOUT WRITTEN PERMISSION			

9 8 7 6 5 4 3 2 1

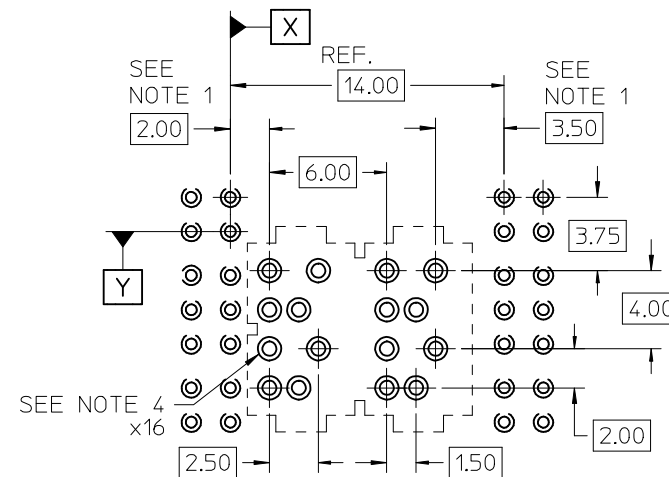
# BOARD LAYOUTS: 1.8 mm MIN. BOARD THICKNESS



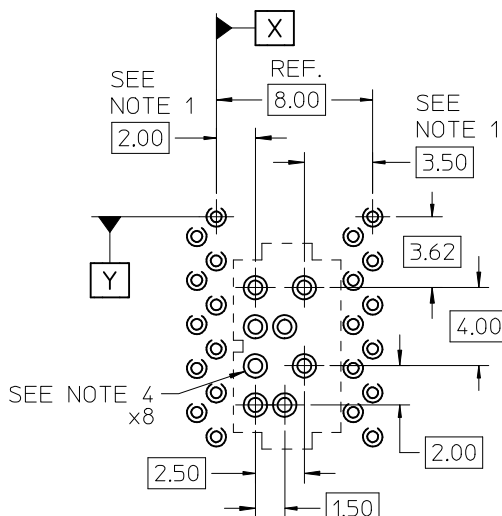
VHDM DUAL ROW POWER



VHDM-HSD SINGLE ROW POWER



VHDM-HSD DUAL ROW POWER

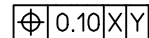


VHDM SINGLE ROW POWER

**NOTES:**

1. ADDITIONAL SPACING CAN BE ADDED IN MULTIPLES OF 2.0 mm AS REQUIRED. FOR EACH ADDITIONAL SINGLE ROW POWER, ADD 6.00 mm.
2. SIGNAL ROW A IS IN LINE WITH DATUM Y IN ALL FOUR LAYOUTS.
3. FOUR HOLES ARE USED PER POWER CONTACT.
4. EACH POWER HOLE TO BE MANUFACTURED AS FOLLOWS:

- Ø0.725±0.075 PLATED THROUGH HOLE
- Ø1.20 PAD
- Ø0.838 DRILL



<b>SEE SHEET 1</b> EC NO: UCP2013-0146 IDRWN: SVANG01 2012/07/12 CHKD: MWOLF 2012/07/12 APPR: SMILLER 2012/08/06	QUALITY SYMBOLS $\nabla Z=0$ $\nabla Z=0$ $\nabla Z=0$	GENERAL TOLERANCES (UNLESS SPECIFIED)		DIMENSION STYLE <b>MM ONLY</b>		SCALE 4:1	DESIGN UNITS METRIC	THIRD ANGLE PROJECTION	
		4 PLACES ± --- ± ---	mm INCH	DRAWN BY ELO	DATE 2003/07/14	TITLE VHDM/HSD POWER 6 ROW BACKPLANE SALES DRAWING			
		3 PLACES ± --- ± ---		CHECKED BY STANFORD	DATE 2003/07/17	<b>molex</b>			
		2 PLACES ± 0.25 ± ---		APPROVED BY BIXLER	DATE 2003/07/21	MATERIAL NO. SEE TABLE	DOCUMENT NO. SD-74029-011	SHEET NO. 3 OF 3	
		ANGULAR ±1/2°		DRAFT WHERE APPLICABLE MUST REMAIN WITHIN DIMENSIONS				THIS DRAWING CONTAINS INFORMATION THAT IS PROPRIETARY TO MOLEX INCORPORATED AND SHOULD NOT BE USED WITHOUT WRITTEN PERMISSION	