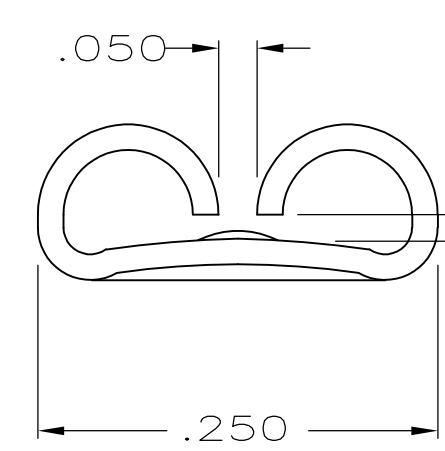
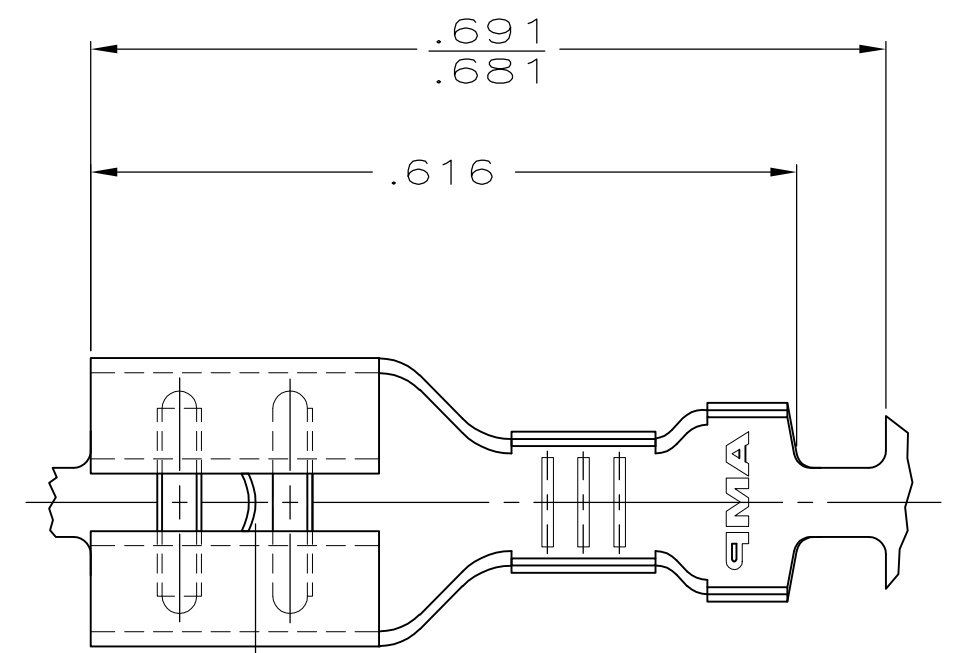


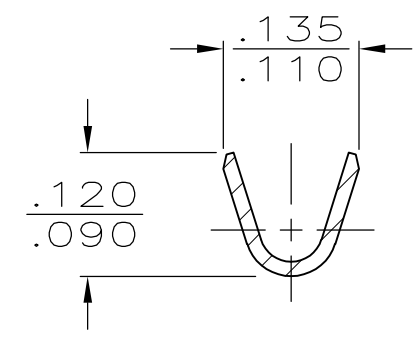
THIS DRAWING IS UNPUBLISHED. RELEASED FOR PUBLICATION  
 © COPYRIGHT - By - ALL RIGHTS RESERVED.

LOC	DIST	REVISIONS			
P	LTR	DESCRIPTION	DATE	DWN	APVD
AF	50	T	REVISED PER ECR-12-013445	09NOV12	KH PD

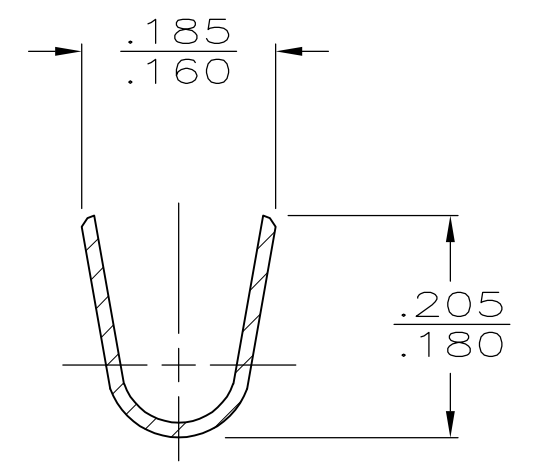


FITS '205' SERIES FASTON TAB

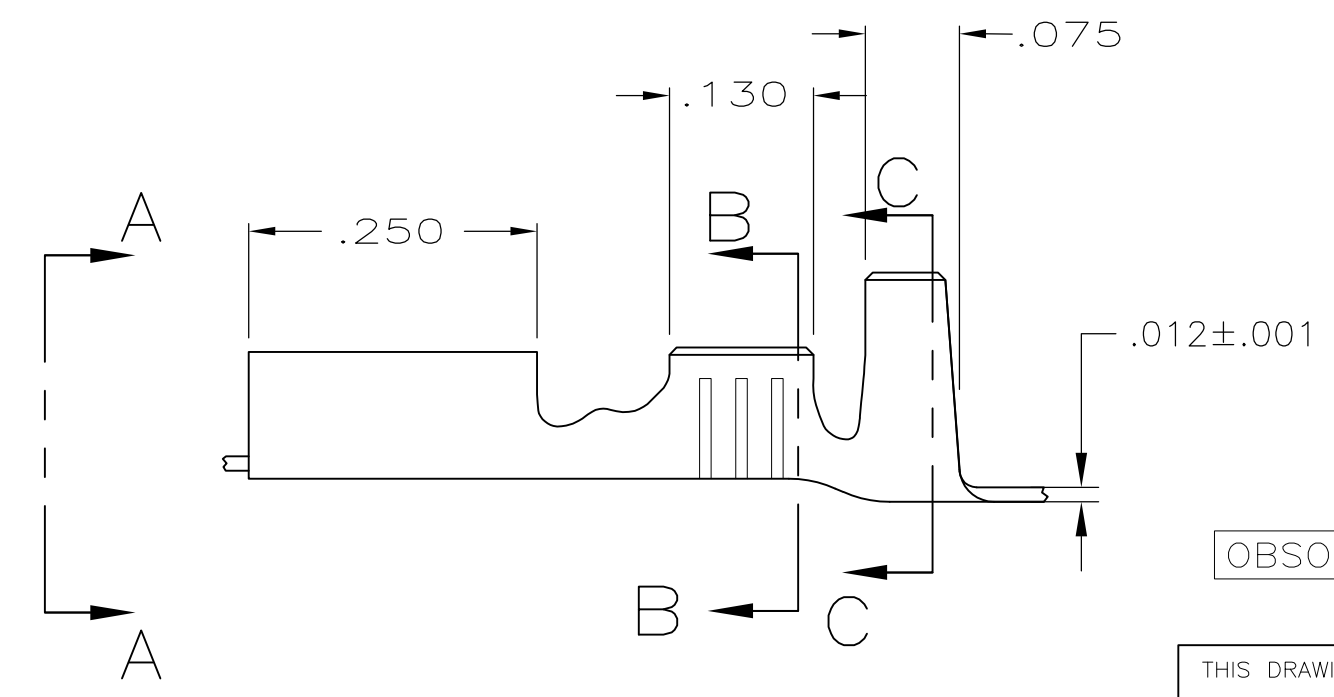
VIEW A-A



SECTION B-B



SECTION C-C



OBSOLETE	TIN	.032	22-18	.085 - .125	42299-2
	NONE				42299-1
	FINISH	MATING TAB THK #.001	WIRE SIZE	INSULATION RANGE	PART NUMBER

THIS DRAWING IS A CONTROLLED DOCUMENT.		DWN	2-22-89	TE Connectivity RECEPTACLE, FASTON, 205 SERIES					
DIMENSIONS: INCHES		CHK	3-8-89				NAME		
TOLERANCES UNLESS OTHERWISE SPECIFIED:		APVD	3-8-89				SIZE		
0 PLC ± - 1 PLC ± - 2 PLC ± - 3 PLC ± .015 4 PLC ± - ANGLES ± -		PRODUCT SPEC	-				CAGE CODE		
MATERIAL		APPLICATION SPEC	-	DRAWING NO					
BRASS		FINISH	SEE TABLE	RESTRICTED TO					
CUSTOMER DRAWING				WEIGHT	-	A3 00779 C-42299			
				SCALE	6:1	SHEET	1 OF 1		
				REV	T				