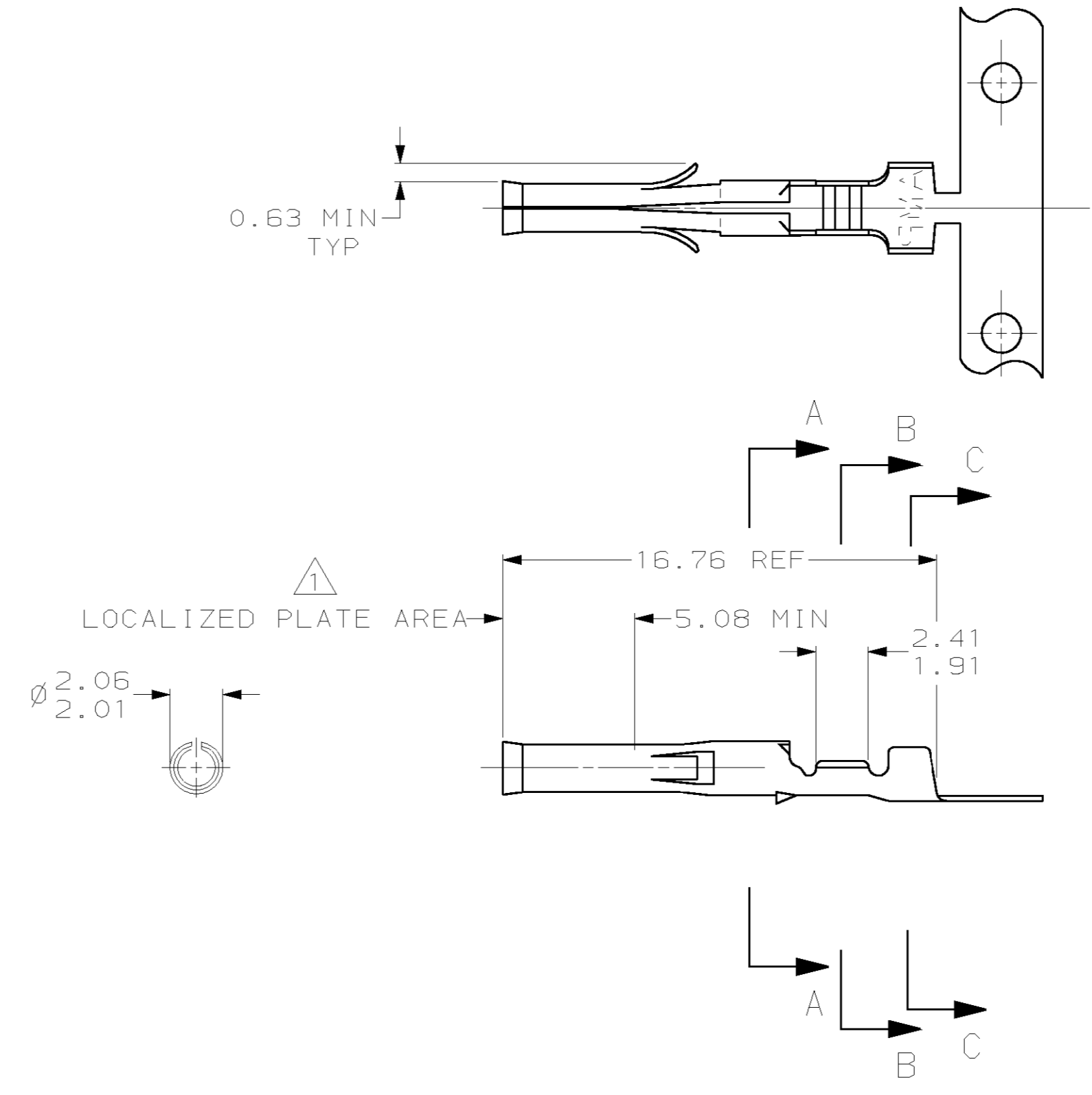
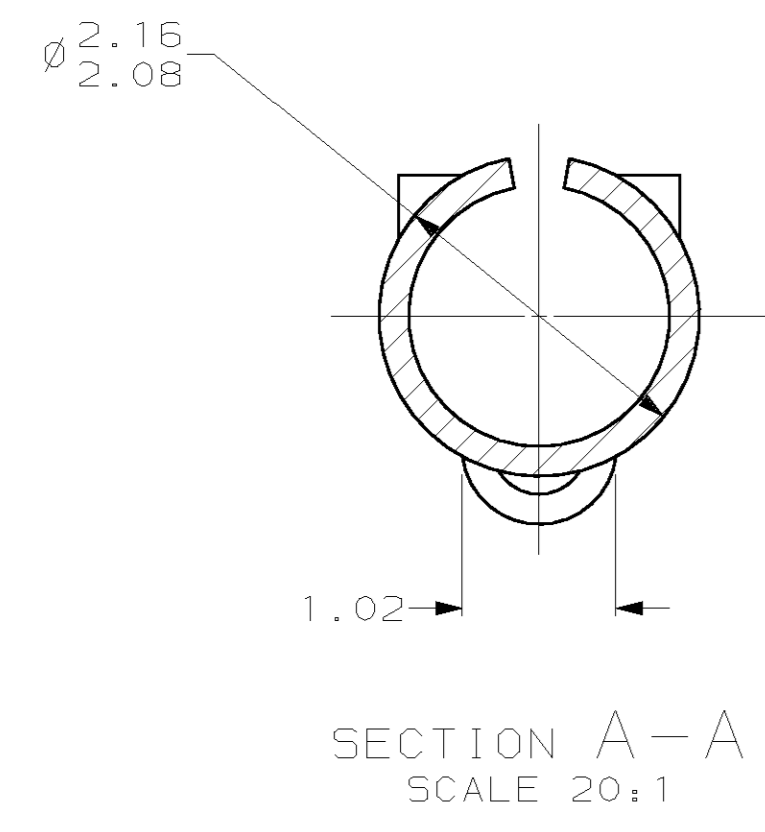
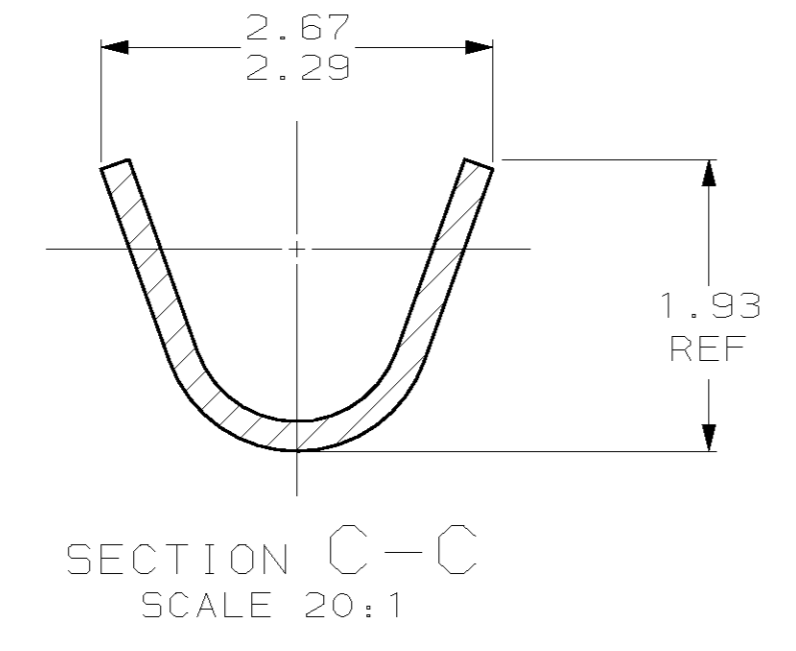
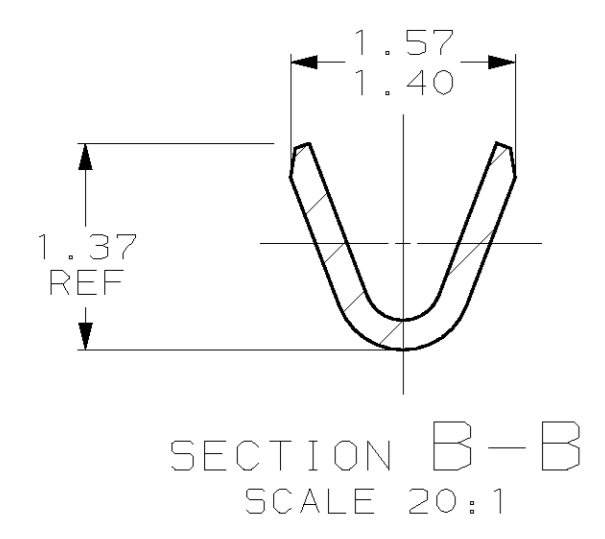
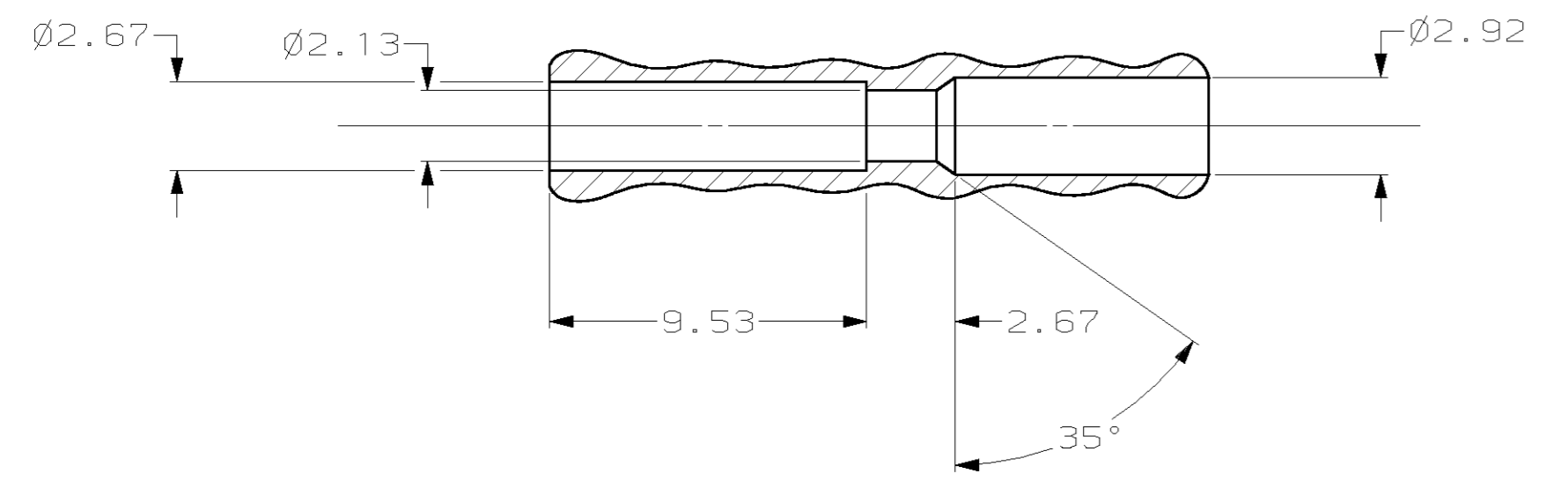


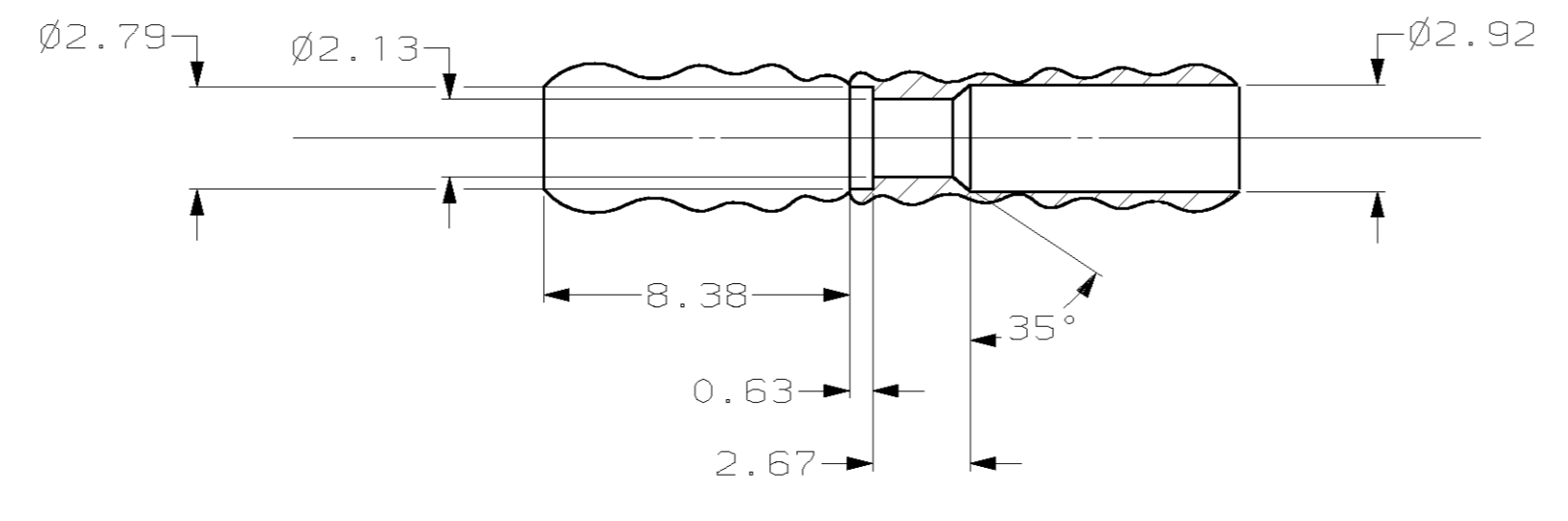
- 1. 0.0013 MIN NICKEL OVER ENTIRE RECEPTACLE WITH 0.0008 MIN GOLD INSIDE RECEPTACLE IN LOCALIZED PLATE AREA.
- 2. EITHER CAVITY WILL ACCEPT RECEPTACLE 350628,640392 OR PIN 350629,640391.



.660	16.76
.375	9.53
.330	8.38
.200	5.08
.115	2.92
.110	2.79
.105	2.67
.095	2.41
.090	2.29
.085	2.16
.084	2.13
.082	2.08
.081	2.06
.079	2.01
.076	1.93
.075	1.91
.062	1.57
.060	1.52
.055	1.40
.054	1.37
.040	1.02
.025	0.63
.008	0.20
.005	0.13
.000050	0.0013
.000030	0.0008
IN	MM
CONVERSION TABLE	



TYPICAL RECEPTACLE CAVITY SECTION REFERENCE



TYPICAL PLUG CAVITY SECTION REFERENCE

PRE-TIN FINISH	0.20 BRASS MATERIAL	1.52 MAX INSULATION DIAMETER	30-24 WIRE RANGE	794717-1 PART NO.
----------------	---------------------	------------------------------	------------------	-------------------



THIS DRAWING IS A CONTROLLED DOCUMENT.

DWN: L.A. McEACHIN 01DEC99	AMP Incorporated
CHK: G.S. RIDGILL 02DEC99	Harrisburg, PA 17105-3608
APP'D: G.S. RIDGILL 02DEC99	NAME: .062 SOCKET, COMMERCIAL PIN & SOCKET
PRODUCT SPEC: -	SIZE: A1
APPLICATION SPEC: -	CAGE CODE: 00779
WEIGHT: -	DRAWING NO: 794717
MATERIAL: SEE TABLE	FINISH: SEE TABLE
CUSTOMER DRAWING	

SCALE: 5:1 SHEET: 1 OF 1 REV: 0