



FCIconnect.com

Copyright FCI.

1

2

CONFIGURATION OF CUSTOMER DOCUMENTS

P/N	DOCUMENTS	DWG. NO.	TITLE
HLW__R/S-2A7LF	SPEC	SC-HLW05	CONNECTOR USED FOR FPC/FFC WITH 1mm CONTACT SPACING
	CONNECTOR	JSA96830	CAT NO.TABLE FOR 1mm SPACING CONNECTOR
		JSA96831	1mm SPACING CONNECTOR FOR FPC/FFC
		JSA96832	1mm SPACING CONNECTOR FOR FPC/FFC
	CABLE	JSA93382	RECOMMENDED CABLE(FPC)
MANUAL	JSA93383	RECOMMENDED CABLE(FFC)	
		BJM-HLW101	HANDLING PROCEDURES AND REMARKS

P/N	DOCUMENTS	DWG. NO.	TITLE
HLW__R/S-6A7LF	SPEC	SC-HLW06	CONNECTOR USED FOR CIC WITH 1mm CONTACT SPACING
	CONNECTOR	JSA96833	CAT NO.TABLE FOR 1mm SPACING CONNECTOR
		JSA96834	1mm SPACING CONNECTOR FOR CIC
		JSA96835	1mm SPACING CONNECTOR FOR CIC
	CABLE	JSA93626	RECOMMENDED CABLE(CIC)
MANUAL		BJM-HLW102	HANDLING PROCEDURES AND REMARKS

mat'l. code				surface 58 / ISO 1302 ✓		tolerance ISO 406 / ISO 1101		projection		product family 58PF/QF		CODE JP	
ltr	ecn no	dr	date	tolerances unless otherwise specified				mm		title 1mm SPACING CONNECTOR DOCUMENT LIST (Cat. No. HLW__R/S-2/6A7LF)			
A	J05-0775	H.T	11/16/05	angles	linear	scale \propto							
B	J06-0449	H.T	11/2/06							dwg no JSA96829		sheet 1 of 1 size A4	
				dr	<i>H. Hattori</i> 11/2/06		type Product Customer Drawing						
				enr	<i>H. Hattori</i> 11/2/06								
				chr	<i>R. Shoupe</i> 11/2/06								
				appd	<i>S. DeLauri</i> 11/2/06								
sheet index	revision sheet	B	1									Rev. B	

form: A4

1

2

CAT. NO. & DIMENSIONS

NO. OF CONTACTS (n)	CAT. NO.		DIMENSIONS (NOTE1)		
	RIGHT ANGLE TYPE	STRAIGHT TYPE	A ± 0.3	B ± 0.1	C ± 0.3
4	HLW 4 R-2A7LF	HLW 4 S-2A7LF	6.6	5.12	3.0
5	HLW 5 R-2A7LF	HLW 5 S-2A7LF	7.6	6.12	4.0
6	HLW 6 R-2A7LF	HLW 6 S-2A7LF	8.6	7.12	5.0
7	HLW 7 R-2A7LF	HLW 7 S-2A7LF	9.6	8.12	6.0
8	HLW 8 R-2A7LF	HLW 8 S-2A7LF	10.6	9.12	7.0
9	HLW 9 R-2A7LF	HLW 9 S-2A7LF	11.6	10.12	8.0
10	HLW 10 R-2A7LF	HLW 10 S-2A7LF	12.6	11.12	9.0
11	HLW 11 R-2A7LF	HLW 11 S-2A7LF	13.6	12.12	10.0
12	HLW 12 R-2A7LF	HLW 12 S-2A7LF	14.6	13.12	11.0
13	HLW 13 R-2A7LF	HLW 13 S-2A7LF	15.6	14.12	12.0
14	HLW 14 R-2A7LF	HLW 14 S-2A7LF	16.6	15.12	13.0
15	HLW 15 R-2A7LF	HLW 15 S-2A7LF	17.6	16.12	14.0
16	HLW 16 R-2A7LF	HLW 16 S-2A7LF	18.6	17.12	15.0
17	HLW 17 R-2A7LF	HLW 17 S-2A7LF	19.6	18.12	16.0
18	HLW 18 R-2A7LF	HLW 18 S-2A7LF	20.6	19.12	17.0
19	HLW 19 R-2A7LF	HLW 19 S-2A7LF	21.6	20.12	18.0
20	HLW 20 R-2A7LF	HLW 20 S-2A7LF	22.6	21.12	19.0
21	HLW 21 R-2A7LF	HLW 21 S-2A7LF	23.6	22.12	20.0
22	HLW 22 R-2A7LF	HLW 22 S-2A7LF	24.6	23.12	21.0
23	HLW 23 R-2A7LF	HLW 23 S-2A7LF	25.6	24.12	22.0
24	HLW 24 R-2A7LF	HLW 24 S-2A7LF	26.6	25.12	23.0
25	HLW 25 R-2A7LF	HLW 25 S-2A7LF	27.6	26.12	24.0
26	HLW 26 R-2A7LF	HLW 26 S-2A7LF	28.6	27.12	25.0
27	HLW 27 R-2A7LF	HLW 27 S-2A7LF	29.6	28.12	26.0
28	HLW 28 R-2A7LF	HLW 28 S-2A7LF	30.6	29.12	27.0
29	HLW 29 R-2A7LF	HLW 29 S-2A7LF	31.6	30.12	28.0
30	HLW 30 R-2A7LF	HLW 30 S-2A7LF	32.6	31.12	29.0
31	HLW 31 R-2A7LF	HLW 31 S-2A7LF	33.6	32.12	30.0
32	HLW 32 R-2A7LF	HLW 32 S-2A7LF	34.6	33.12	31.0

CAT. NO. HLW (n) R - 2A7 LF

SERIES _____

NO. OF CONTACTS _____

R : RIGHT ANGLE TYPE

S : STRAIGHT TYPE

VARIATION _____

LEAD FREE _____

NOTES

1. SEE PART DRAWINGS FOR DIMENSIONS A~C.

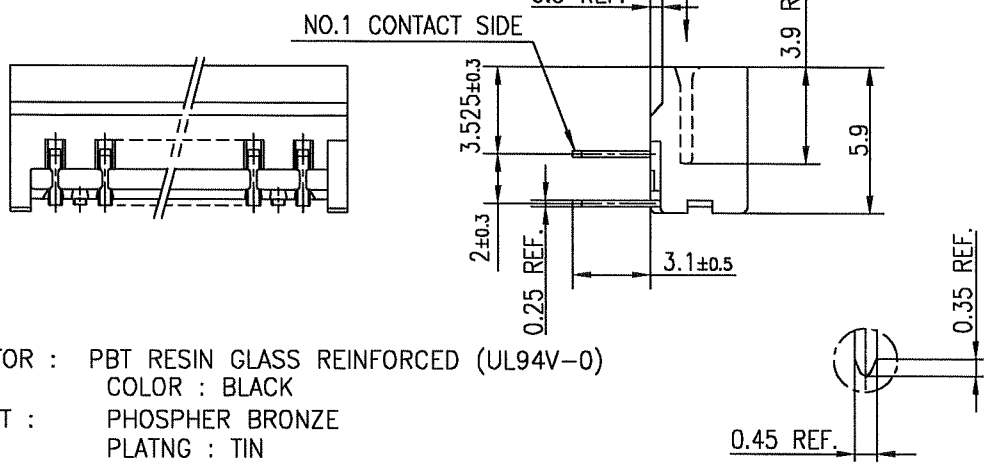
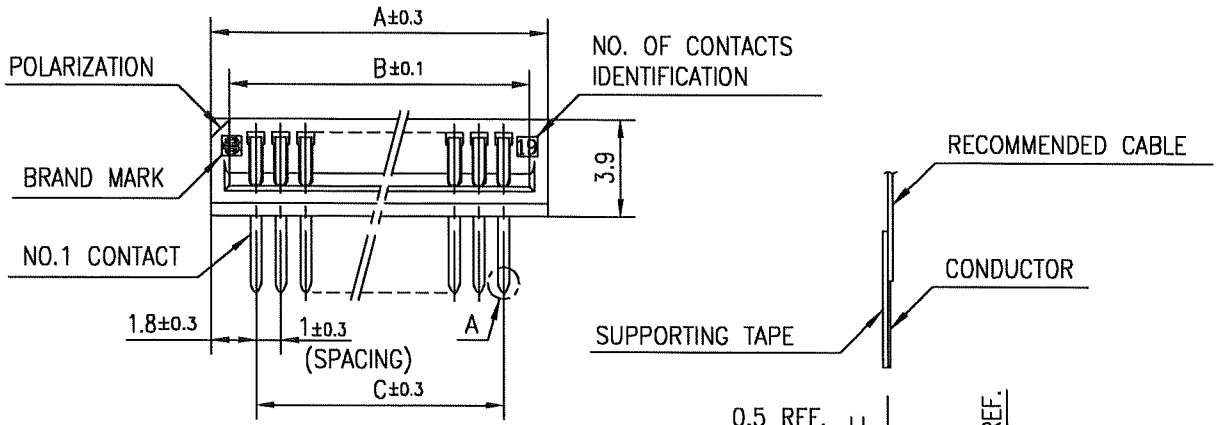
mat'l. code				surface 58 / ISO 1302 ✓		tolerance ISO 406 / ISO 1101		projection		product family 58PF/QF		CODE JP	
ltr ecn no dr date				tolerances unless otherwise specified				mm		title			
A J05-0775 H.T 11/16/05				angles linear				scale X		CAT NO. TABLE FOR 1mm SPACING CONNECTOR (Cat. No. HLW__R/S-2A7LF)			
B J06-0449 H.T 11/2/05								FCI		dwg no JSA 96830		sheet 1 of 1 size A4	
				dr engr chr appd						type Product Customer Drawing			
sheet index		revision B		sheet 1								Rev. B	

SC-HLW05, JSA96831,96832,93382,93383 form: A4



FCIconnect.com

Copyright FCI.



MATERIAL

INSULATOR : PBT RESIN GLASS REINFORCED (UL94V-0)
 COLOR : BLACK
 CONTACT : PHOSPHER BRONZE
 PLATNG : TIN

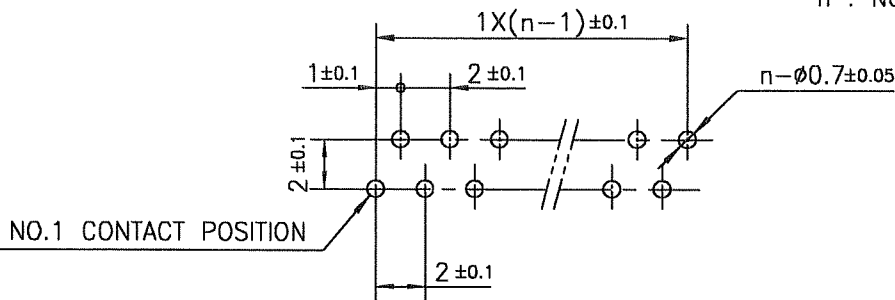
NOTE

- 1.THIS PRODUCT IS RIGHT ANGLE TYPE CONNECTOR.
- 2.THIS PRODUCT MEETS EUROPEAN UNION DIRECTIVES AND OTHER COUNTRY REGULATIONS AS DESCRIBED IN GS-22-008.
- 3.THE HOUSING WILL WITHSTAND EXPOSURE TO 260°C PEAK TEMPERATURE FOR 10 SECONDS IN A WAVE SOLDER APPLICATION WITH A 1.6mm THICK CIRCUIT BOARD.

RECOMMENDED PC BOARD

THICKNESS : 1.2~1.6
 HOLE PATTERN (COMPONENT SIDE)

n : NO. OF CONTACTS



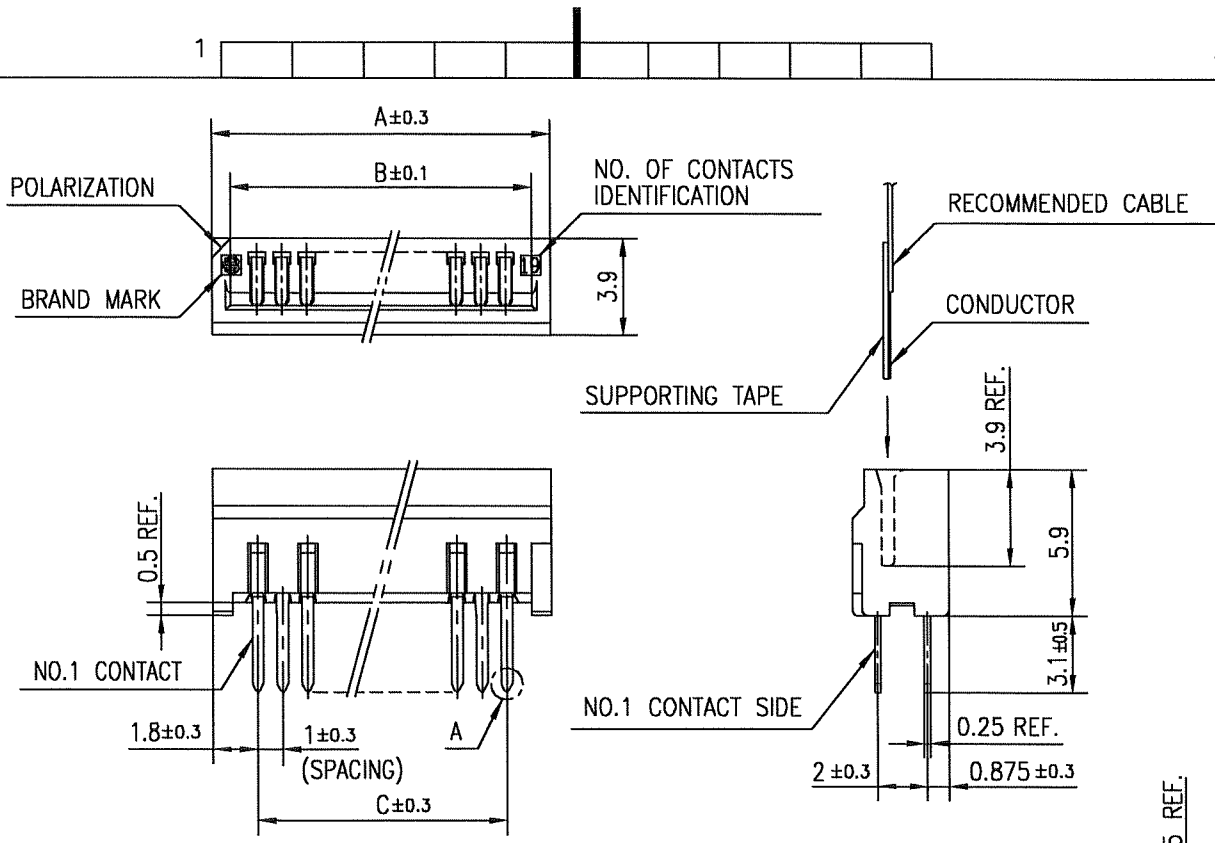
mat'l. code				surface	tolerance	projection	product family	58PF	CODE	
				ISO 1302 ✓	ISO 406				JP	
				ISO 1101	ISO 1101		title		1mm SPACING	
ltr	ecn no	dr	date	tolerances unless otherwise specified		mm	CONNECTOR FOR FPC/FFC			
A	J05-0775	H.T	11/16/05	angles	±0.2		(Cat. No. HLW__R-2A7LF)			
B	J06-0449	H.T	11/2/06	linear		scale				
				dr	11/2/06		dwg no		sheet 1 of 1	size
				enr	11/2/06		JSA 96831		A4	
				chr	11/2/06		type		Product Customer Drawing	
				appd	11/2/06					
sheet	revision	B							Rev.	
index	sheet	1							B	

SC-HLW05, JSA96830
 form: A4



FCIconnect.com

Copyright FCI.

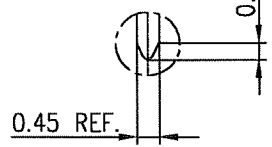


MATERIAL

INSULATOR : PBT RESIN GLASS REINFORCED (UL94V-0)
 COLOR : BLACK
 CONTACT : PHOSPHOR BRONZE
 PLATING : TIN

NOTE

1. THIS PRODUCT IS RIGHT ANGLE TYPE CONNECTOR.
2. THIS PRODUCT MEETS EUROPEAN UNION DIRECTIVES AND OTHER COUNTRY REGULATIONS AS DESCRIBED IN GS-22-008.
3. THE HOUSING WILL WITHSTAND EXPOSURE TO 260°C PEAK TEMPERATURE FOR 10 SECONDS IN A WAVE SOLDER APPLICATION WITH A 1.6mm THICK CIRCUIT BOARD.

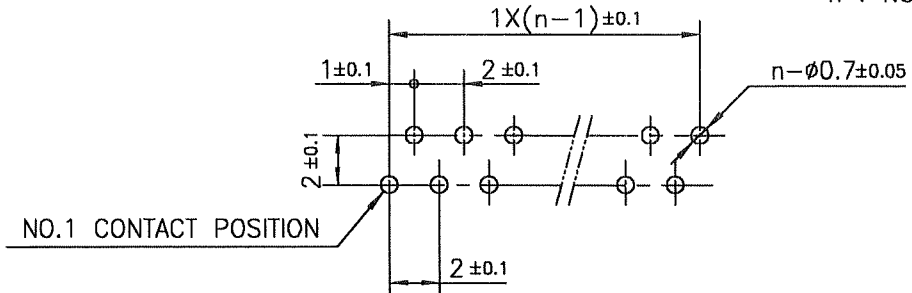


DETAIL A

RECOMMENDED PC BOARD

THICKNESS : 1.2~1.6
 HOLE PATTERN (COMPONENT SIDE)

n : NO. OF CONTACTS

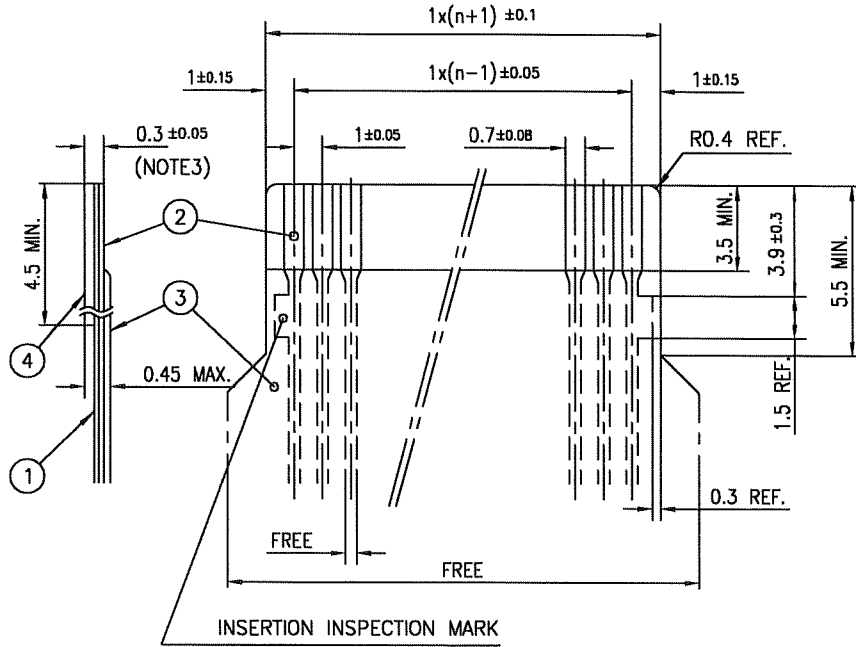


mat'l. code				surface 58 / tolerance ISO 406 / ISO 1302 ✓ / ISO 1101		projection		product family 58QF		CODE JP	
ltr	ecn no	dr	date	tolerances unless otherwise specified		mm		title			
A	J05-0775	H.T	11/16/05	±0.2		mm		1mm SPACING CONNECTOR FOR FPC/FFC (Cat. No. HLW__S-2A7LF)			
B	J06-0449	H.T	11/2/06	angles	linear	scale X		dwg no JSA 96832 sheet 1 of 1 size A4			
				dr	H. Nishida 11/2/06				type Product Customer Drawing		
				enr	H. Nishida 11/5/06						
				chr	R. Shoji 11/2/06						
				appd	S. Nishida 11/7/06						
sheet index	revision sheet	B	1							Rev B	

SC-HLW05, JSA96830
 form: A4

RECOMMENDED CABLE (FPC)

n : NO. OF CONDUCTORS



PT. NO.	DESCRIPTION	MATERIAL	THICKNESS (μm)
1	BASE FILM	POLYIMIDE OR POLYESTER OR EQUIVALENT	25
2	CONDUCTOR	COPPER FOIL (PLATING : SOLDER 1μm MIN.)	35
3	OVERLAY	POLYIMIDE OR POLYESTER OR EQUIVALENT	—
4	SUPPORTING TAPE	POLYESTER OR POLYIMIDE OR EQUIVALENT	188

NOTES

1. NO BURR AT EACH PORTION.
2. NO PEELING IN COMMON USE.
3. TOTAL THICKNESS LIMIT OF EACH MATERIAL (INCLUDING ADHESIVE AGENT) IS SPECIFIED.

mat'l. code				surface 58 / tolerance ISO 406 ISO 1101		projection		product family 58PF/QF		CODE JP	
litr ecn no dr date				tolerances unless otherwise specified		mm		title			
AA J05-0270 H.T 5/11/05				angles linear		mm		RECOMMENDED CABLE (FPC)			
AB J06-0449 H.T 11/2/06						scale X		(Cat. No. HLW__R/S-__)			
				dr		FCI		dwg no		sheet 1 of 1 size	
				engr				JSA 93382		A4	
				chr				type Product Customer Drawing			
				appd							
sheet index		revision sheet		AB 1						Rev. AB	

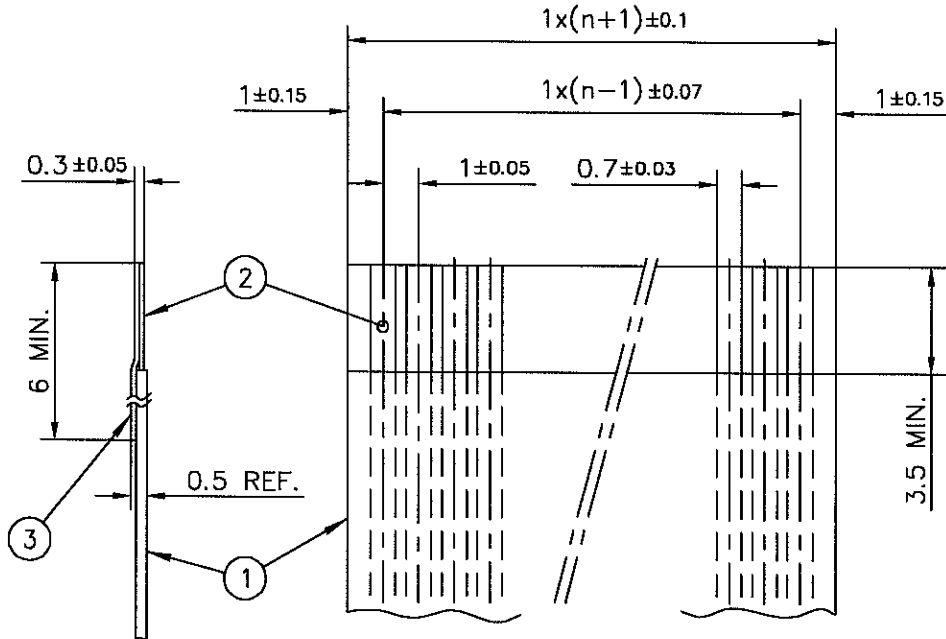


FCIconnect.com

Copyright FCI.

RECOMMENDED CABLE (FFC)

n : NO. OF CONDUCTORS



PT. NO.	DESCRIPTION	MATERIAL	NOTE
1	INSULATOR	FLAME RESISTING POLYESTER OR EQUIVALENT	_____
2	CONDUCTOR	COPPER FOIL	PLATING : TIN OR SOLDER 1 μm MIN.
3	SUPPORTING TAPE	FLAME RESISTING POLYESTER OR EQUIVALENT	_____

NOTES

1. NO BURR AT EACH PORTION.
2. NO PEELING IN COMMON USE.

mat'l. code				surface 58 / tolerance ISO 1302 / ISO 406 / ISO 1101		projection		product family 58PF/QF		CODE JP	
litr ecn no dr date				tolerances unless otherwise specified		mm		title			
AA J05-0270 H.T 5/11/05				angles linear		mm		RECOMMENDED CABLE (FFC)			
AB J06-0449 H.T 11/2/06						scale X		(Cat. No. HLW__R/S-__)			
				dr 11/2/06		FCI		dwg no sheet 1 of 1 size			
				enr 11/2/06				JSA 93383		A4	
				chr R. Shouji 11/2/06				type Product Customer Drawing			
				appd S. De.dan 11/2/06							
sheet index		revision sheet		AB 1						Rev AB	

CAT. NO. & DIMENSIONS

NO. OF CONTACTS (n)	CAT. NO.		DIMENSIONS (NOTE1)		
	RIGHT ANGLE TYPE	STRAIGHT TYPE	A ± 0.3	B ± 0.1	C ± 0.3
4	HLW 4 R-6A7LF	HLW 4 S-6A7LF	6.6	5.12	3.0
5	HLW 5 R-6A7LF	HLW 5 S-6A7LF	7.6	6.12	4.0
6	HLW 6 R-6A7LF	HLW 6 S-6A7LF	8.6	7.12	5.0
7	HLW 7 R-6A7LF	HLW 7 S-6A7LF	9.6	8.12	6.0
8	HLW 8 R-6A7LF	HLW 8 S-6A7LF	10.6	9.12	7.0
9	HLW 9 R-6A7LF	HLW 9 S-6A7LF	11.6	10.12	8.0
10	HLW 10 R-6A7LF	HLW 10 S-6A7LF	12.6	11.12	9.0
11	HLW 11 R-6A7LF	HLW 11 S-6A7LF	13.6	12.12	10.0
12	HLW 12 R-6A7LF	HLW 12 S-6A7LF	14.6	13.12	11.0
13	HLW 13 R-6A7LF	HLW 13 S-6A7LF	15.6	14.12	12.0
14	HLW 14 R-6A7LF	HLW 14 S-6A7LF	16.6	15.12	13.0
15	HLW 15 R-6A7LF	HLW 15 S-6A7LF	17.6	16.12	14.0
16	HLW 16 R-6A7LF	HLW 16 S-6A7LF	18.6	17.12	15.0
17	HLW 17 R-6A7LF	HLW 17 S-6A7LF	19.6	18.12	16.0
18	HLW 18 R-6A7LF	HLW 18 S-6A7LF	20.6	19.12	17.0
19	HLW 19 R-6A7LF	HLW 19 S-6A7LF	21.6	20.12	18.0
20	HLW 20 R-6A7LF	HLW 20 S-6A7LF	22.6	21.12	19.0
21	HLW 21 R-6A7LF	HLW 21 S-6A7LF	23.6	22.12	20.0
22	HLW 22 R-6A7LF	HLW 22 S-6A7LF	24.6	23.12	21.0
23	HLW 23 R-6A7LF	HLW 23 S-6A7LF	25.6	24.12	22.0
24	HLW 24 R-6A7LF	HLW 24 S-6A7LF	26.6	25.12	23.0
25	HLW 25 R-6A7LF	HLW 25 S-6A7LF	27.6	26.12	24.0
26	HLW 26 R-6A7LF	HLW 26 S-6A7LF	28.6	27.12	25.0
27	HLW 27 R-6A7LF	HLW 27 S-6A7LF	29.6	28.12	26.0
28	HLW 28 R-6A7LF	HLW 28 S-6A7LF	30.6	29.12	27.0
29	HLW 29 R-6A7LF	HLW 29 S-6A7LF	31.6	30.12	28.0
30	HLW 30 R-6A7LF	HLW 30 S-6A7LF	32.6	31.12	29.0
31	HLW 31 R-6A7LF	HLW 31 S-6A7LF	33.6	32.12	30.0
32	HLW 32 R-6A7LF	HLW 32 S-6A7LF	34.6	33.12	31.0

CAT. NO. HLW (n) R - 6A7 LF

SERIES _____

NO. OF CONTACTS _____

R : RIGHT ANGLE TYPE

S : STRAIGHT TYPE

VARIATION _____

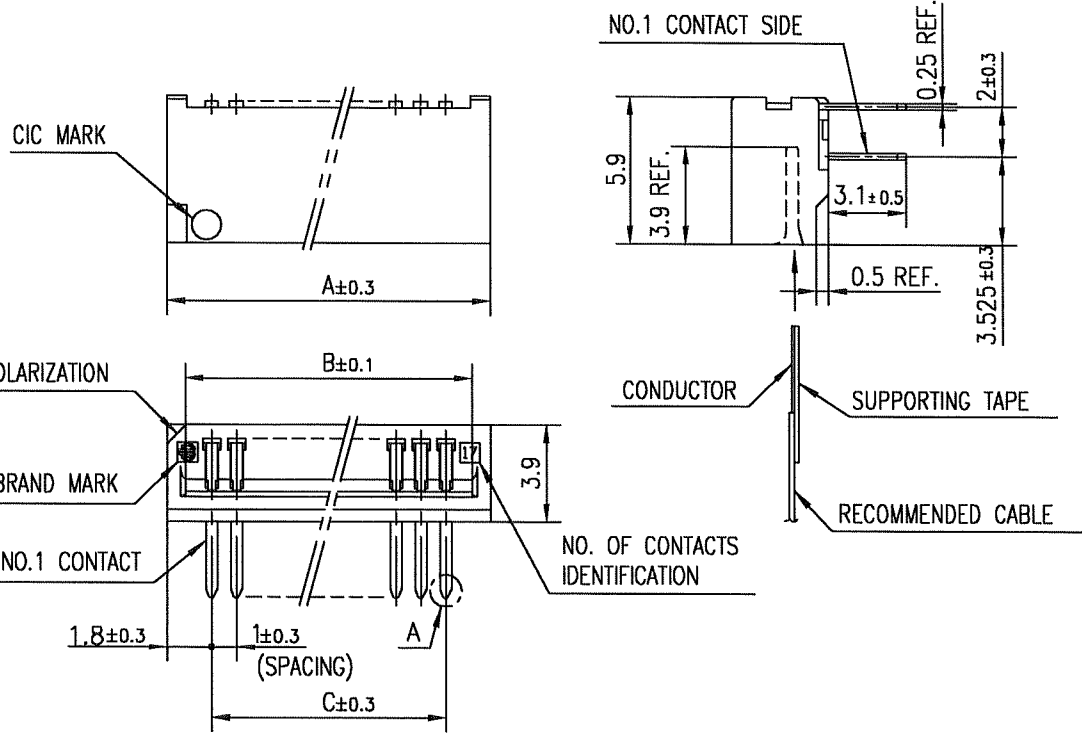
LEAD FREE _____

NOTES

1. SEE PART DRAWINGS FOR DIMENSIONS A~C.

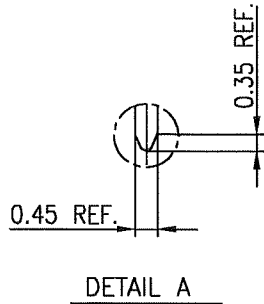
mat'l. code				surface 58 / tolerance ISO 406 / ISO 1302 ✓ / ISO 1101		projection		product family 58PF/QF		CODE JP	
ltr	ecn no	dr	date	tolerances unless otherwise specified		mm		title CAT NO. TABLE FOR 1mm SPACING CONNECTOR (Cat. No. HLW__R/S-6A7LF)			
A	J05-0775	H.T	11/16/05	angles	linear	scale X		dwg no JSA 96833 sheet 1 of 1 size A4			
B	J06-0449	H.T	11/2/06			FCI		type Product Customer Drawing			
sheet index		revision	B							Rev. B	
		sheet	1								

SC-HLW06, JSA96834,96835,93626 Form: A4

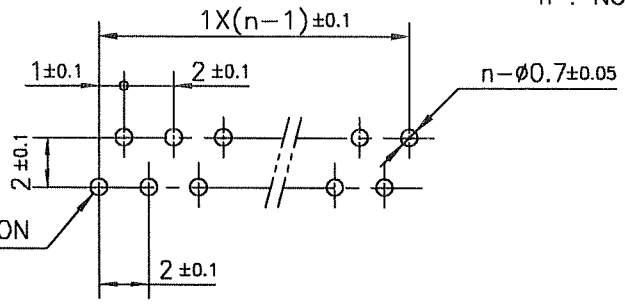


MATERIAL
 INSULATOR : PBT RESIN GLASS REINFORCED (UL94V-0)
 COLOR : BLACK
 CONTACT : PHOSPHER BRONZE
 PLATNG : TIN

NOTE
 1. THIS PRODUCT IS RIGHT ANGLE TYPE CONNECTOR.
 2. THIS PRODUCT MEETS EUROPEAN UNION DIRECTIVES AND OTHER COUNTRY REGULATIONS AS DESCRIBED IN GS-22-008.
 3. THE HOUSING WILL WITHSTAND EXPOSURE TO 260°C PEAK TEMPERATURE FOR 10 SECONDS IN A WAVE SOLDER APPLICATION WITH A 1.6mm THICK CIRCUIT BOARD.



RECOMMENDED PC BOARD
 THICKNESS : 1.2~1.6
 HOLE PATTERN (COMPONENT SIDE)

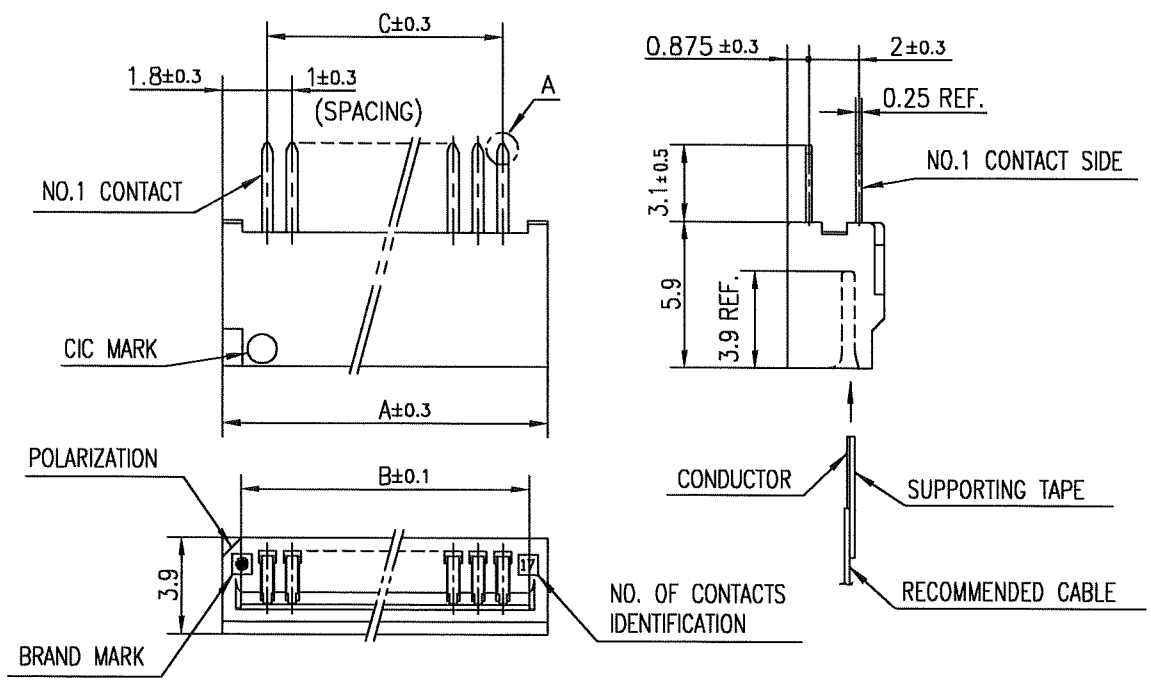


n : NO. OF CONTACTS

mat'l. code				surface 58 / ISO 1302 ✓		tolerance ISO 406 / ISO 1101		projection		product family 58PF		CODE JP	
ltr				ecn no		dr		date		title		1mm SPACING CONNECTOR FOR CIC (Cat. No. HLW_R-6A7LF)	
A				J05-0775		H.T.		11/16/05		mm		scale X	
B				J06-0449		H.T.		11/2/06		F		sheet 1 of 1	
sheet index				revision		B				dwg no		JSA 96834	
sheet				1						type		Product Customer Drawing	
										size		A4	
										Rev.		B	

SC-HLW06, JSA96833
 form: A4

Copyright FCI. FCIconnect.com



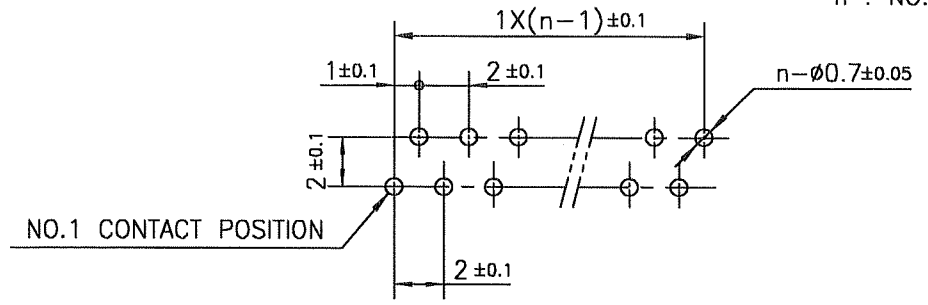
MATERIAL
 INSULATOR : PBT RESIN GLASS REINFORCED (UL94V-0)
 COLOR : BLACK
 CONTACT : PHOSPHER BRONZE
 PLATNG : TIN

NOTE
 1. THIS PRODUCT IS RIGHT ANGLE TYPE CONNECTOR.
 2. THIS PRODUCT MEETS EUROPEAN UNION DIRECTIVES AND OTHER COUNTRY REGULATIONS AS DESCRIBED IN GS-22-008.
 3. THE HOUSING WILL WITHSTAND EXPOSURE TO 260°C PEAK TEMPERATURE FOR 10 SECONDS IN A WAVE SOLDER APPLICATION WITH A 1.6mm THICK CIRCUIT BOARD.

RECOMMENDED PC BOARD

THICKNESS : 1.2~1.6
 HOLE PATTERN (COMPONENT SIDE)

n : NO. OF CONTACTS

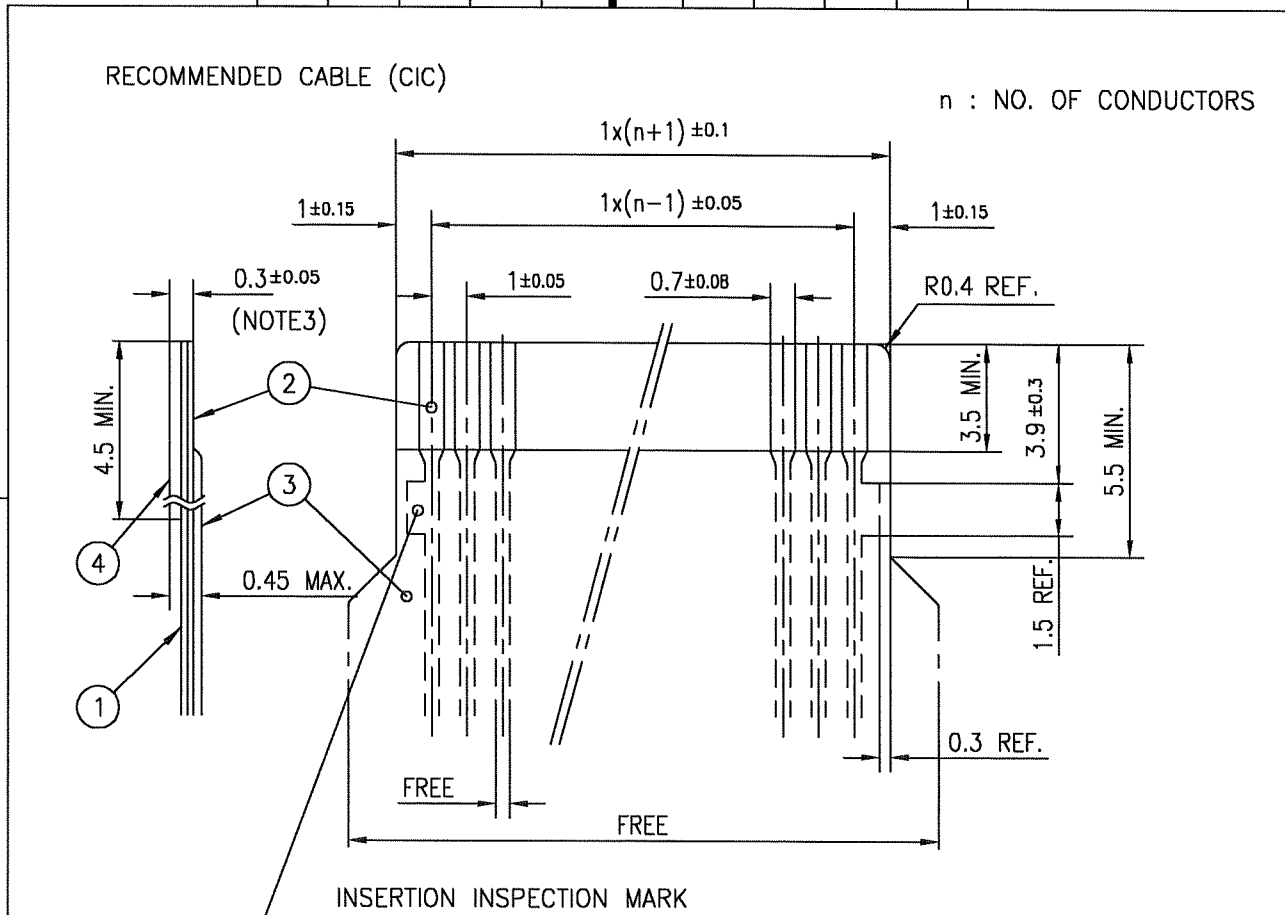


FCIconnect.com

Copyright FCI.

mat'l. code				surface 58 / ISO 1302 ✓		tolerance ISO 406 / ISO 1101		projection		product family 58QF		CODE JP	
ltr	ecn no	dr	date	tolerances unless otherwise specified				mm	title 1mm SPACING CONNECTOR FOR CIC (Cat. No. HLW__S-6A7LF)				
A	J05-0775	H.T	11/16/05	angles	linear								
B	J06-0449	H.T	11/2/06						dwg no		sheet 1 of 1		size
				dr		11/2/06			JSA 96835			A4	
				enrg		11/2/06			type Product Customer Drawing				
				chr		11/2/06							
				appd		11/2/06							
sheet index		revision B										Rev. B	
		sheet 1											

SC-HLW06, JSA96833
 form: A4



PT. NO.	DESCRIPTION	MATERIAL	THICKNESS (μm)	
1	BASE FILM	POLYESTER OR EQUIVALENT	75	25
2	CONDUCTOR	CARBON PASTE OVER SILVER PASTE	10 MIN.	
3	OVERLAY	POLYIMIDE OR POLYESTER OR EQUIVALENT	—	
4	SUPPORTING TAPE	POLYESTER OR POLYIMIDE OR EQUIVALENT	188	250

NOTES

1. NO BURR AT EACH PORTION.
2. NO PEELING IN COMMON USE.
3. TOTAL THICKNESS LIMIT OF EACH MATERIAL (INCLUDING ADHESIVE AGENT) IS SPECIFIED.

mat'l. code				surface ISO 1302 <input checked="" type="checkbox"/>		tolerance ISO 406 <input checked="" type="checkbox"/> ISO 1101		projection		product family 58PF/QF		CODE JP	
ltr ecn no dr date				tolerances unless otherwise specified						title RECOMMENDED CABLE (CIC) (Cat. No. HLW__R/S-__)			
AA J05-0270 H.T 5/11/05				angles linear				mm					
AB J06-0449 H.T 11/2/06								scale \times		dwg no JSA 93626		sheet 1 of 1 size A4	
				dr <i>H. Saito</i> 11/2/06						type Product Customer Drawing			
				enr <i>H. Saito</i> 11/2/06									
				chr <i>K. Shouji</i> 11/2/06									
				appd <i>S. Nakano</i> 11/7/06									
sheet index		revision sheet		AB 1								Rev. AB	