

LOW NOISE AMPLIFIER MODULE, 29 - 36 GHz

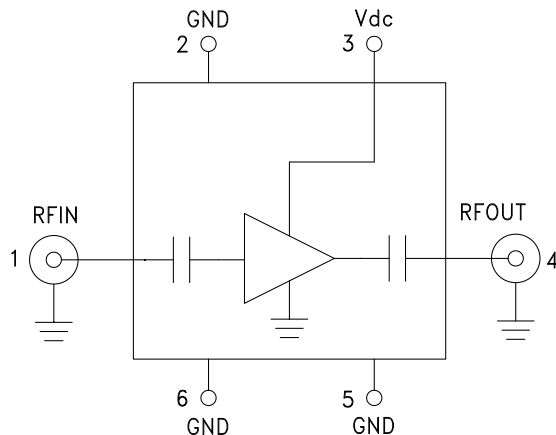


Typical Applications

The HMC-C027 Wideband LNA is ideal for:

- Telecom Infrastructure
- Microwave Radio & VSAT
- Military & Space
- Test Instrumentation
- Fiber Optics

Functional Diagram



Features

Noise Figure: 2.9 dB

Gain: 20 dB

OIP3: 22 dBm

P1dB Output Power: +11 dBm

50 Ohm Matched Input/Output

Hermetically Sealed Module

Field Replaceable 2.92 mm Connectors

-55 °C to +85 °C Operating Temperature

General Description

The HMC-C027 is a GaAs MMIC pHEMT Low Noise Amplifier in a miniature, hermetic module which operates between 29 and 36 GHz. This high dynamic range amplifier module provides 20 dB of gain, 2.9 dB noise figure and up to +22 dBm of output IP3 from a single +3V supply. The wideband amplifier I/Os are internally matched to 50 Ohms and DC blocked for robust performance. The module features positive gain slope, and consistent noise figure and output power performance across its operating band.

Electrical Specifications, $T_A = +25^\circ\text{C}$, $V_{dc} = +3\text{V}$

Parameter	Min.	Typ.	Max.	Units
Frequency Range	29 - 36			GHz
Gain	17	20		dB
Gain Variation Over Temperature		0.03	0.05	dB/ °C
Noise Figure		2.9	3.5	dB
Input Return Loss		14		dB
Output Return Loss		8		dB
Output Power for 1 dB Compression (P1dB)	8	11		dBm
Saturated Output Power (Psat)		13		dBm
Output Third Order Intercept (IP3)		22		dBm
Supply Current		80		mA

HMC-C027* PRODUCT PAGE QUICK LINKS

Last Content Update: 02/23/2017

COMPARABLE PARTS

View a parametric search of comparable parts.

DOCUMENTATION

Application Notes

- AN-1363: Meeting Biasing Requirements of Externally Biased RF/Microwave Amplifiers with Active Bias Controllers

Data Sheet

- HMC-C027 Data Sheet

TOOLS AND SIMULATIONS

- HMC-C027 S-Parameter

DESIGN RESOURCES

- HMC-C027 Material Declaration
- PCN-PDN Information
- Quality And Reliability
- Symbols and Footprints

DISCUSSIONS

View all HMC-C027 EngineerZone Discussions.

SAMPLE AND BUY

Visit the product page to see pricing options.

TECHNICAL SUPPORT

Submit a technical question or find your regional support number.

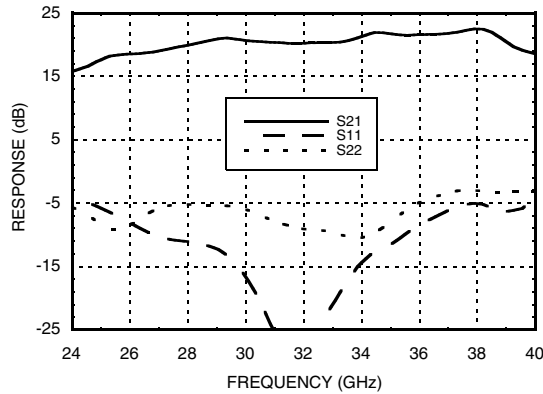
DOCUMENT FEEDBACK

Submit feedback for this data sheet.

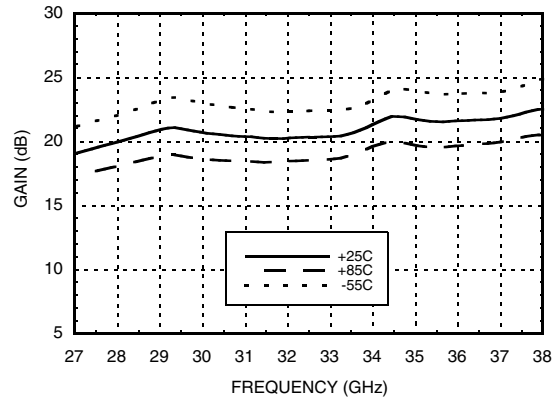
**LOW NOISE AMPLIFIER
MODULE, 29 - 36 GHz**



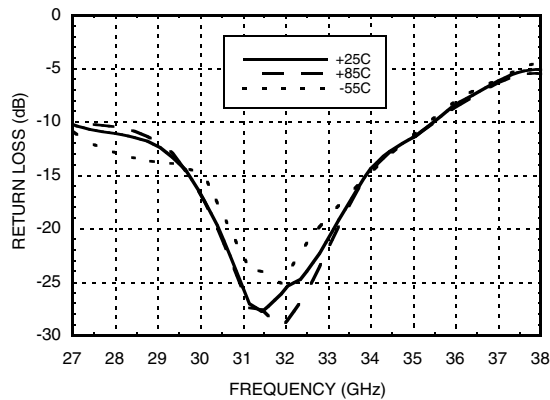
Broadband Gain & Return Loss



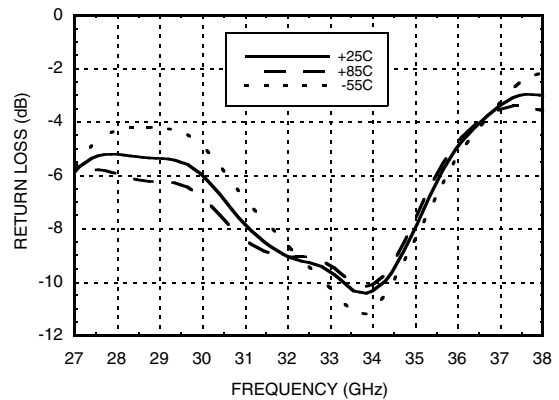
Gain vs. Temperature



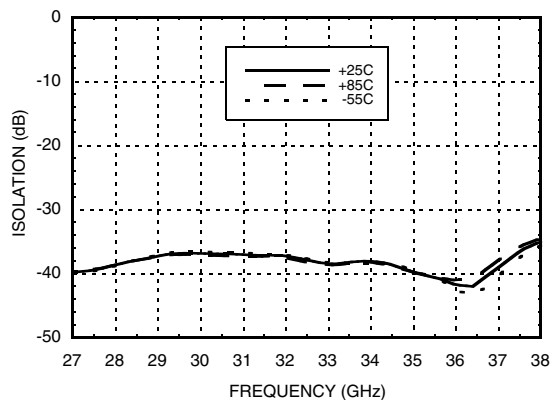
Input Return Loss vs. Temperature



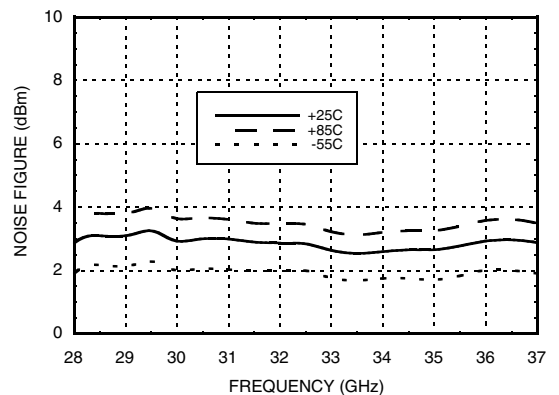
Output Return Loss vs. Temperature



Reverse Isolation vs. Temperature



Noise Figure vs. Temperature



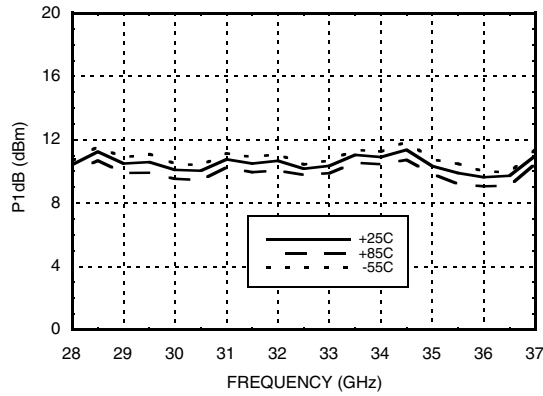
Information furnished by Analog Devices is believed to be accurate and reliable. However, no responsibility is assumed by Analog Devices for its use, nor for any infringements of patents or other rights of third parties that may result from its use. Specifications subject to change without notice. No license is granted by implication or otherwise under any patent or patent rights of Analog Devices. Trademarks and registered trademarks are the property of their respective owners.

For price, delivery, and to place orders: Analog Devices, Inc., One Technology Way, P.O. Box 9106, Norwood, MA 02062-9106 Phone: 781-329-4700 • Order online at www.analog.com Application Support: Phone: 1-800-ANALOG-D

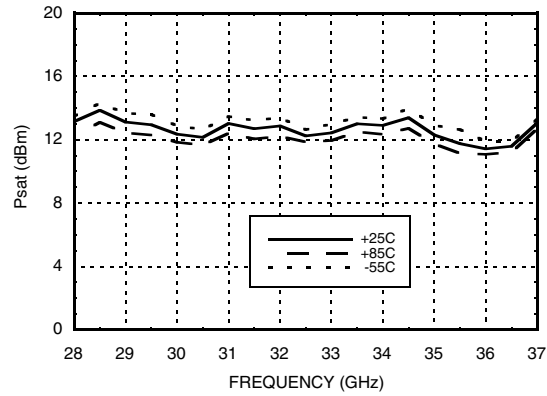


**LOW NOISE AMPLIFIER
MODULE, 29 - 36 GHz**

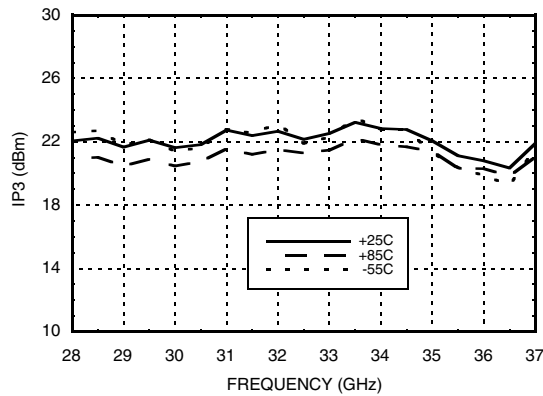
P1dB vs. Temperature



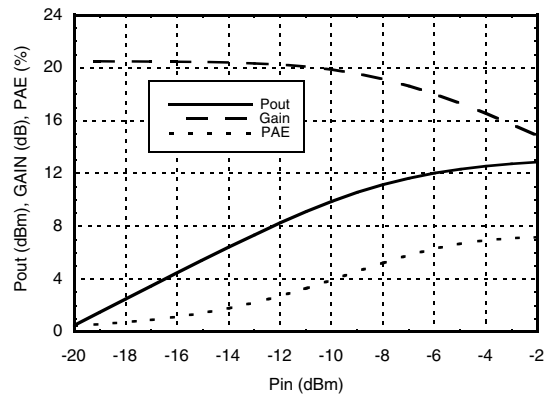
Psat vs. Temperature



Output IP3 vs. Temperature



Power Compression @ 32 GHz



Absolute Maximum Ratings

Bias Supply Voltage (Vdc)	+3.5 Vdc
RF Input Power (RFIN)	+5 dBm
Storage Temperature	-65 to +150 °C
Operating Temperature	-55 to +85 °C

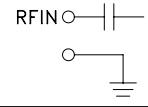
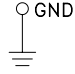
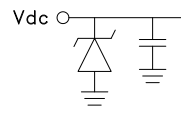
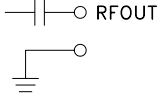


**ELECTROSTATIC SENSITIVE DEVICE
OBSERVE HANDLING PRECAUTIONS**

Information furnished by Analog Devices is believed to be accurate and reliable. However, no responsibility is assumed by Analog Devices for its use, nor for any infringements of patents or other rights of third parties that may result from its use. Specifications subject to change without notice. No license is granted by implication or otherwise under any patent or patent rights of Analog Devices. Trademarks and registered trademarks are the property of their respective owners.

For price, delivery, and to place orders: Analog Devices, Inc., One Technology Way, P.O. Box 9106, Norwood, MA 02062-9106 Phone: 781-329-4700 • Order online at www.analog.com Application Support: Phone: 1-800-ANALOG-D

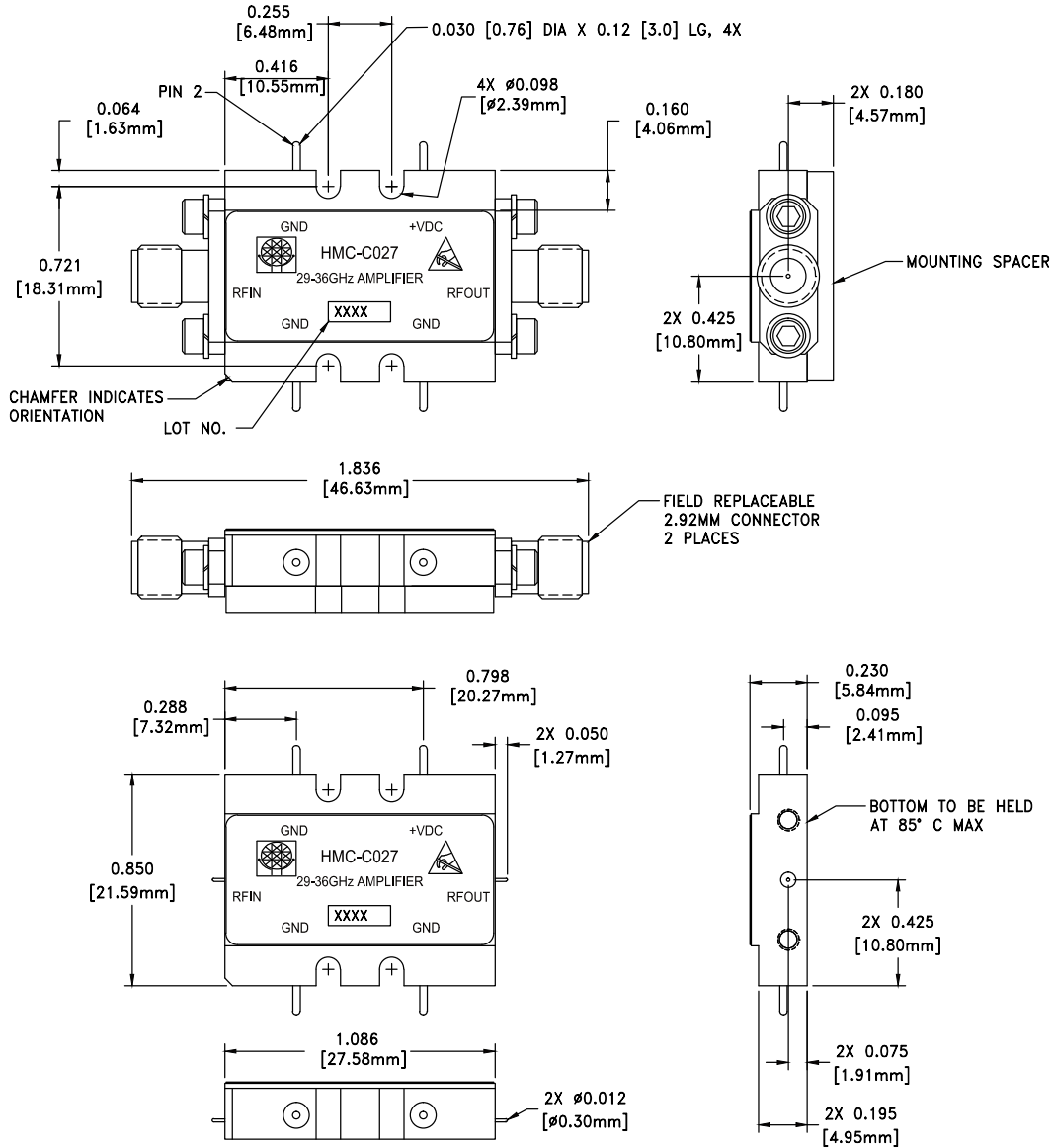

**LOW NOISE AMPLIFIER
MODULE, 29 - 36 GHz**
Pin Descriptions

Pin Number	Function	Description	Interface Schematic
1	RFIN & RF Ground	RF input connector, coaxial female, field replaceable. This pin is AC coupled and matched to 50 Ohms.	
2, 5, 6	GND	One of these pins must be connected to power supply ground.	
3	Vdc	Power supply voltage for the amplifier. Includes zener diode for over voltage and negative voltage protection.	
4	RFOUT & RF Ground	RF output connector, coaxial female, field replaceable. This pin is AC coupled and matched to 50 Ohms.	



**LOW NOISE AMPLIFIER
MODULE, 29 - 36 GHz**

Outline Drawing



VIEW SHOWN WITH CONNECTORS AND MOUNTING SPACER REMOVED

Package Information

Package Type	C-10
Package Weight [1]	18.7 gms [2]
Spacer Weight	3.3 gms [2]

[1] Includes the connectors

[2] ±1 gms Tolerance

NOTES:

1. PACKAGE, LEADS, COVER MATERIAL: KOVAR™
2. FINISH: GOLD PLATE OVER NICKEL PLATE
3. ALL DIMENSIONS ARE IN INCHES [MILLIMETERS]
4. TOLERANCES:
 - 4.1 .XX = ±0.02
 - 4.2 .XXX = ±0.010
5. FIELD REPLACEABLE 2.92mm CONNECTORS TENSOLITE 231CCSF OR EQUIVALENT

**LOW NOISE AMPLIFIER
MODULE, 29 - 36 GHz****Notes:**