

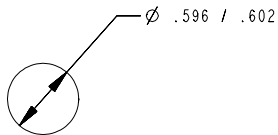
- NOTES:
 1. CUSTOMER: GRAYHILL STD.
 2. SWITCH HAS BUTT CONTACT SYSTEM.
 3. ACTION TYPE: MOMENTARY
 4. CIRCUITRY: SPST - N.O.

YYWW

GH

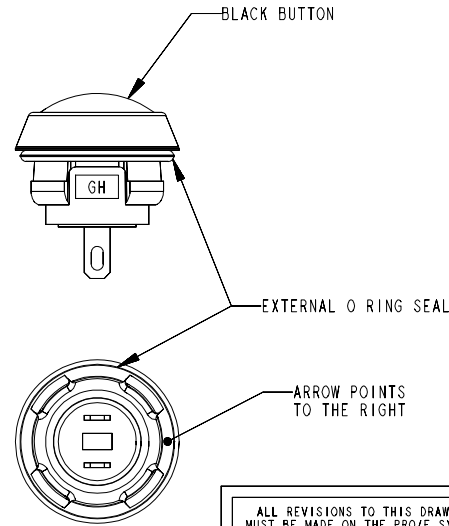
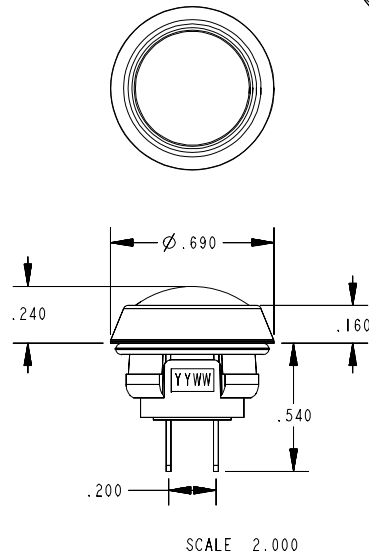
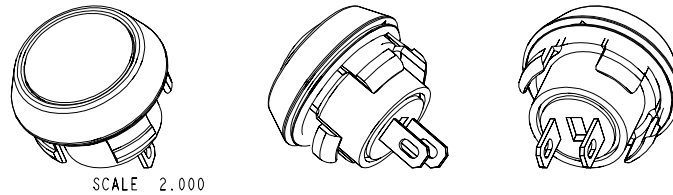
LABEL DETAIL

SCALE: 5:1
 LABEL PART NUMBER: SSS1878-14
 DATE CODE & "GH" TO
 INDICATE MANUFACTURER'S NAME



RECOMMENDED PANEL CUT-OUT
 SCALE: 1 TO 1

PANEL THICKNESS WITH "O" RING: .098-.106
 PANEL THICKNESS WITHOUT "O" RING: .140-.144



ALL REVISIONS TO THIS DRAWING
 MUST BE MADE ON THE PROE SYSTEM

C	CWS/JOD 1-26-05	ADDED ARROW NOTE. ECN#355542 JTK 1-26-05
B	CWS/PR 6-9-04	ADDED EXTERNAL O RING ECN#352414 JTK 6-9-04
A	CWS/JMT 5/13/04	ORIGINAL JTK ECN#352010 5-11-04
ISSUE	APP/DATE	DESCRIPTION

REVISIONS	
<i>Grayhill</i> GRAYHILL, INC. 501 HILLGROVE AVE. LA GRANGE, IL 60525 PHONE (708) 354-1040	
UNLESS OTHERWISE SPECIFIED TOLERANCES AND DIMENSIONS ARE IN INCHES LINEAR ± .025 DIAMETERS ± .010 ANGULAR ± 1.0° LIMITS APPLY BEFORE FINISHING DO NOT SCALE THIS PRINT	
CRITICAL CHARACTERISTIC FLAGS PER GRAYHILL SPEC.SOP2338	
	-- CRITICAL CHARACTERISTIC FLAG
	-- Cpk REQUIRED
	-- S.P.C. FLAG (CONTROL CHART REQ'D ON FEATURE SPECIFIED)
FINISH ---	APPROVED DATE JMT 5-13-04
MATERIAL ---	CHECKED DATE CWS 5-12-04
NAME PUSHBUTTON ASSEMBLY	DRAWN DATE JTK 5-11-04
CAGE NO. 81073	30-100.DRW
B SIZE 30-100	ISSUE C
SCALE 2:1	SHEET 1 OF 1

COMPONENT	MATERIAL
BUTTON	BLACK NYLON - 45% GLASS FILLED
HOUSING	BLACK NYLON - 45% GLASS FILLED
TERMINAL	BRASS - GOLD OVER NICKEL PLATING
SHORTING BAR	BRASS - GOLD OVER NICKEL PLATING
BASE	NYLON - 45% GLASS FILLED
PLUNGER	NYLON - 45% GLASS FILLED
O-RING SEAL	SILICON - 70 DUROMETER
INTERNAL SEAL	SILICON RUBBER
COMPRESSION SPRING	TINNED MUSIC WIRE

MECHANICAL RATINGS	
TRAVEL	.090" NOMINAL
TRAVEL BEFORE MAKE	.035" NOMINAL
CYCLE LIFE	500,000 ELECTRICAL CYCLES
SHOCK	100 G'S / 6 MILLISECONDS
OPERATING TEMP.	-40° C TO +80° C
ACTUATION FORCE	14.5 OZ ±3 OZ.

ELECTRICAL RATINGS	
RATING AT 24 VDC	150 MILLIAMPS
VOLTAGE BREAKDOWN	1,000 VOLTS
CONTACT RESISTANCE	25 mΩ MAX. (INITIAL)
INSULATION RESISTANCE	1000 MΩ