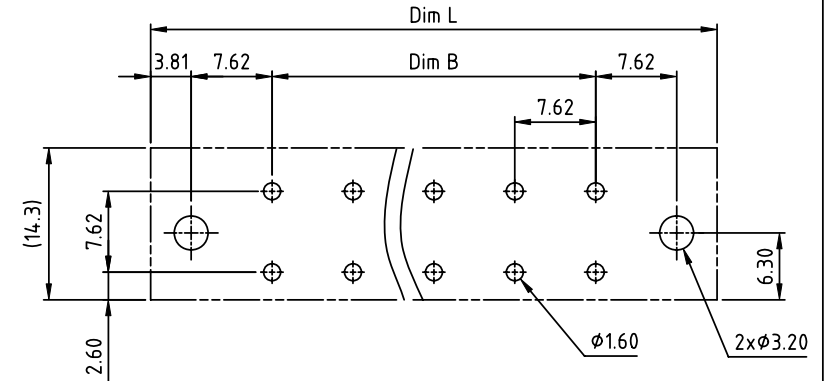
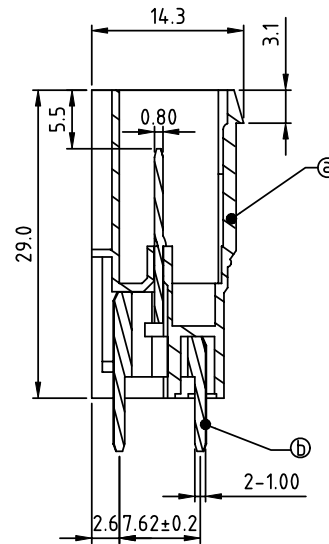
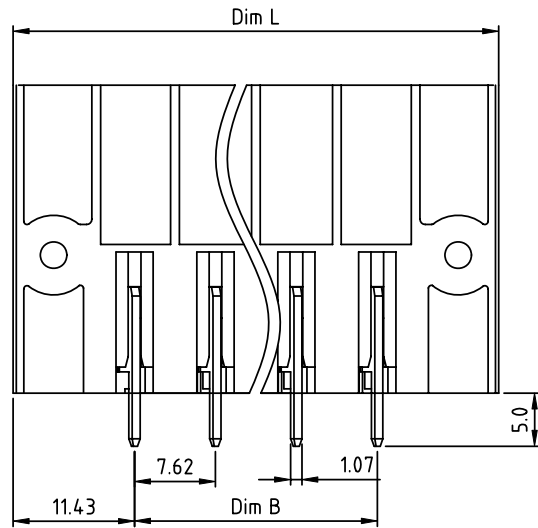
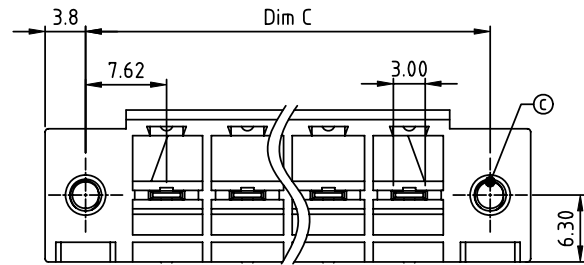


PRODUCT NUMBER	PITCH
VCxx01x100J0G	7.62mm



RECOMMENDED P.C.B. LAYOUT  
TOP VIEW

Material:

- Item ① Terminal(housing): Thermoplastic (UL94 V-0)
- Item ② Male contact pin: Copper Tin plated
- Item ③ Flange Nut: Steel Zinc plating M3.0

Electrical

- Voltage rating: 300V 800V
- Current rating: 32A 32A
- Withstanding Voltage: 1.6KV 6KV
- Operating temperature: -40°C to +115°C
- Soldering temperature: 260°C± 5°C/5 Sec
- Safety Approval:

cULus	TUV
300V	800V
32A	32A
1.6KV	6KV
-40°C to +115°C	
260°C± 5°C/5 Sec	

PART NO.: VC xx 01 x 1 00J0 G

N = Number of poles  
Dim L=(N+2)×7.62  
Dim B=(N-1)×7.62  
Dim C=(N+1)×7.62

Poles	Tolerance
2-6p	±0.15
7-12p	±0.20
13-16p	±0.30

Solid block	No. of poles	Color	RoHS compliant (lead<4%) In copper Alloy
0	2	Black (RAL9005)	
02	3	Red (RAL3001/D)	
03	4	Orange(RAL2011/P)	
...	5	Yellow(RAL1018/A)	
...	6	Green(RAL6018/T)	
16	8	Blue (RAL5015/A)	
	9	Grey(RAL7035/D)	
	9	White(RAL1102)	
	C	Green(RAL6018/U)	

mat'l. code		surface ASME Y14.5	tolerance ASME Y14.5	projection 	product family TERMINAL BLOCK
ltr	ecn no	dr	date	tolerances unless otherwise specified	title
				angles X±0.5	TERMINAL BLOCK PLUGGABLE SOCKET, VERTICAL, FLANGE WITH NUT TWO TAIL A TYPE
				MM	
				X.X±0.3	scale
				X.XX±0.1	dwg no
		dr	EVIN ZHONG	042314	sheet 1 of 1
		enr	EVIN ZHONG	042314	size
		chr	HANKE FENG	042314	VCxx01x100J0G
		appd	SHI JUN	042314	A4
sheet index	revision sheet	A	1		type
					CUSTOMER Drawing