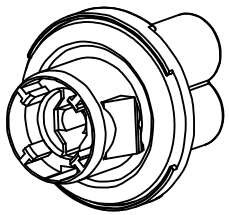
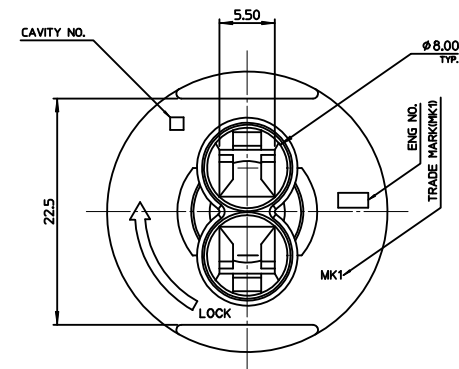
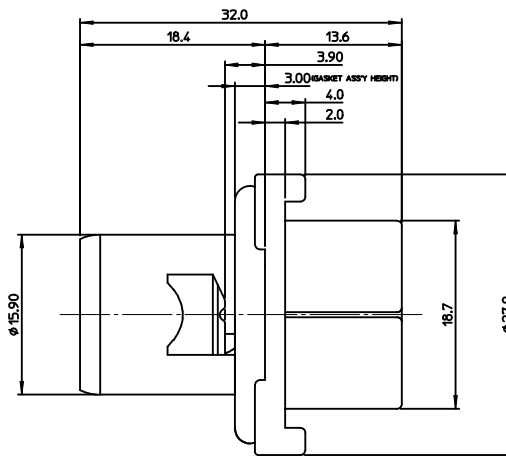
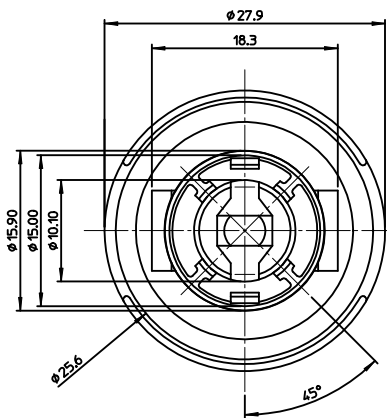


VIEW "V"

SOCKET PLUG HOLE



ISOMETRIC VIEW

NOTES

1. FOCAL LENGTH -26.5mm
2. PRODUCT SPECIFICATION: PS-49505-001
3. APPLICABLE WEDGE BULB CAP: W16W(W2.1X)9.5d
4. MATES WITH

DESCRIPTION	MATERIAL	ORDER NO.	REMARK
WEDGE TERMINAL	BRASS	35477-9002	UNPLATED
TERMINAL WIRE SEAL	SILICONE	49505-9001	BLACK

<PART LIST>

NO.	DESCRIPTION	MATERIAL	USAGE	REMARK
①	WEDGE SOCKET	PA66 M/F	1	GRAY
②	GASKET	SILICONE	1	BLACK

<SEE TABLE 1>

MATERIAL NO.	ORDER NO.	REMARK
495051215	49505-1215	GRAY

SCALE 4:1 DESIGN UNITS METRIC THIRD ANGLE PROJECTION

SEALED W16W BULB
SOCKET 2P
(SOCKET LENGTH=32.0MM)

MOLEX INCORPORATED

MATERIAL NO. SD-49505-004 SHEET NO. 1 OF 1

NEW RELEASED
EC NO: K0R2010-0065
DRAWN BY: DRWNEKIM 2010/02/02
CHECKED BY: CHKCHWYANG 2010/02/02
APPROVED BY: APPR:UNSLKIM 2010/02/02
REV: A

QUALITY SYMBOLS	GENERAL TOLERANCES (UNLESS SPECIFIED)	DIMENSION STYLE
▽=0	mm INCH	MM ONLY
▽=0	4 PLACES ± 0.15	DRAWN BY DATE
	3 PLACES ± 0.20	EOKIM 2009/07/17
	2 PLACES ± 0.20	CHECKED BY DATE
	1 PLACE ± 0.3	BCYOON 2009/07/17
	ANGULAR ± 1°	APPROVED BY DATE
		EHJUNG 2009/07/17

DRAFT WHERE APPLICABLE MUST REMAIN WITHIN DIMENSIONS

SEE TABLE 1

THIS DRAWING CONTAINS INFORMATION THAT IS PROPRIETARY TO MOLEX INCORPORATED AND SHOULD NOT BE USED WITHOUT WRITTEN PERMISSION