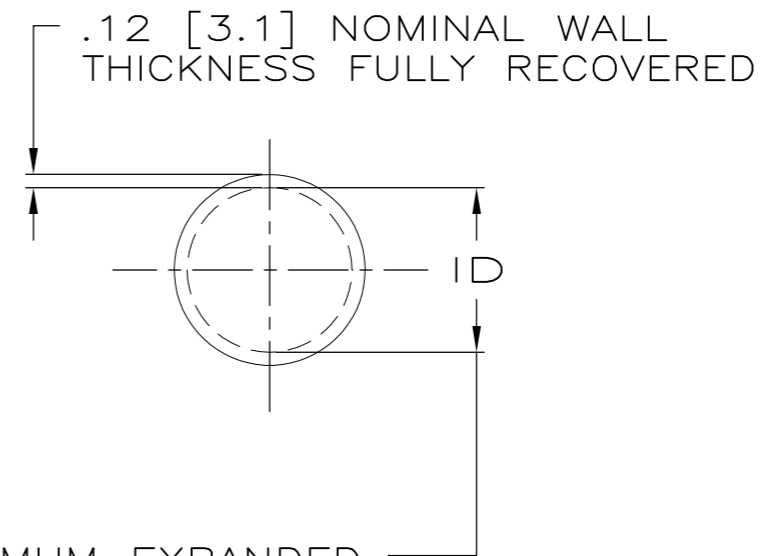
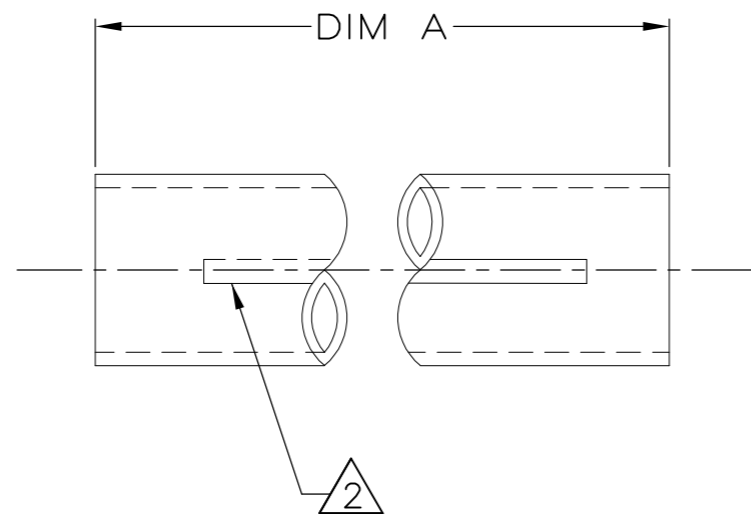


REVISIONS		
REV	DESCRIPTION	DATE
B	REVISED PER DCR R040560	07/15/2004
B1	REVISED PER ECO-09-021510	14SEP09



1.10 [27.9] MINIMUM EXPANDED
.38 [9.5] MAXIMUM RECOVERED

NOTES:

- ① MATERIAL: BLACK POLYOLEFIN TUBING COMPLIES WITH MIL-23053/15-102-0.
- ② PRODUCT MARKED WITH AMP, PART NUMBER, TUBING DIAMETER 1.10 [27.9], WIRE DIAMETER 4-3/0 AWG AND DATE CODE WITH .25 [6.4] HIGH CHARACTERS USING WHITE INK.
- ③ WEIGHT PER LINEAR FOOT IS .12 POUNDS/54.4 GRAMS.
- ④ OBSOLETE PARTS: OBSOLETE CIS STREAMLINING PER D.RENAUD/D.SINISI

④ OBSOLETE	300.00 - 312.00 [7620.0 - 7924.8]	608952-3
	48.00 - 49.00 [1219.2 - 1244.6]	608952-2
	12.00 ± .19 [304.8 ± 4.8]	608504-1
	DIMENSION A	PART NO

SPECIFICATION CONTROL DRAWING

UNLESS OTHERWISE SPECIFIED DIMENSIONS ARE IN INCHES. METRIC DIMENSIONS ARE IN BRACKETS. DECIMALS .XXX ±.005 [0.13 mm] .XX ±.01 [0.25 mm] .X ±.1 [2.54 mm] ANGLES .X ± 0.5 DEG	DRAWN	UNGUYEN	07/15/2004	tyco Tyco Electronics Corporation 300 Constitution Drive Menlo Park, CA. USA 94025 Raychem	
	CHECKED				
	APPROVED	JKUSTER	07/15/2004	TITLE	
	APPROVED			AMPSULATION, MHWP31 HEAT SHRINK TUBING 1.10 DIA.	
	CAD NAME	R040560		SIZE	
	THIRD ANGLE PROJECTION			B	
		CODE IDENT. NO.	DWG. NO.	06090	C-608952
		DO NOT SCALE THIS DRAWING		SHEET 1 OF 1	