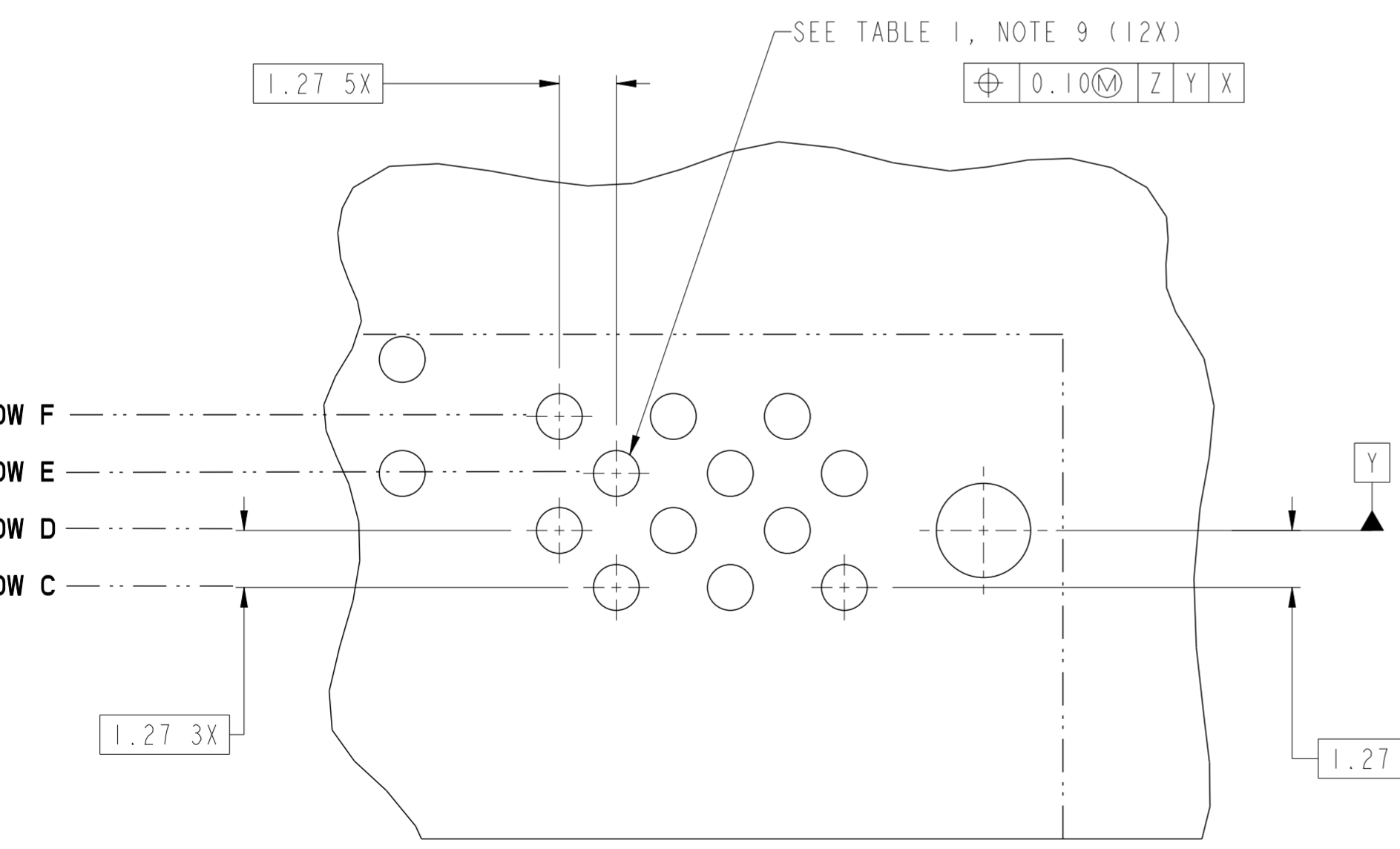
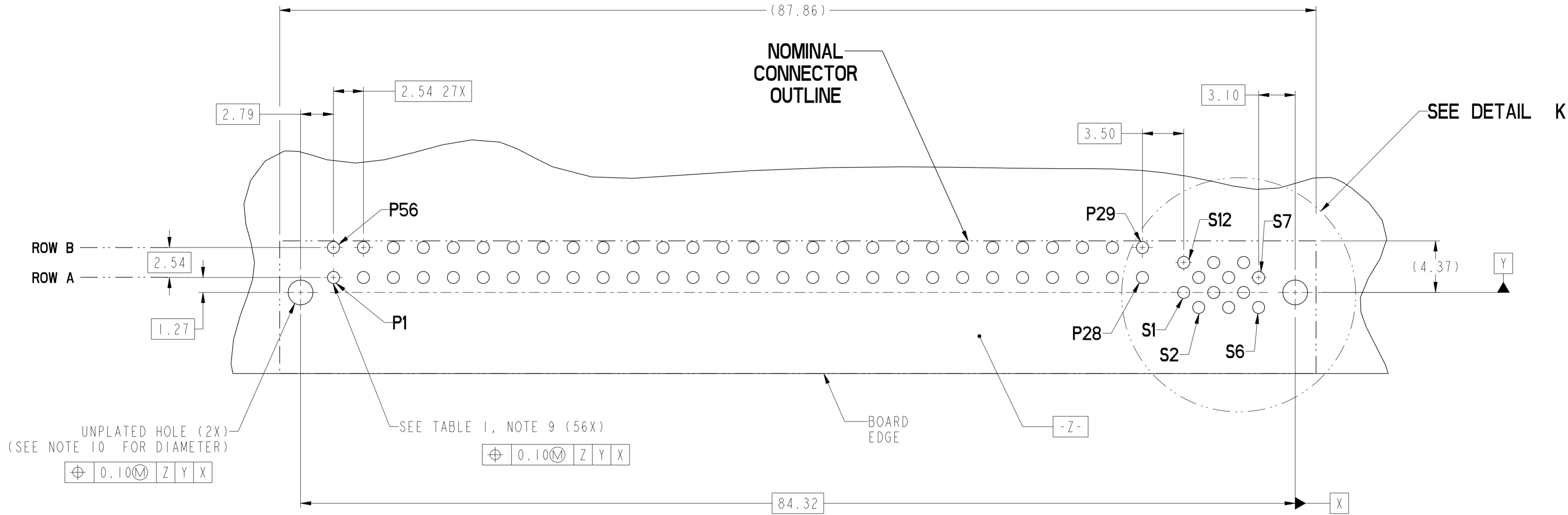


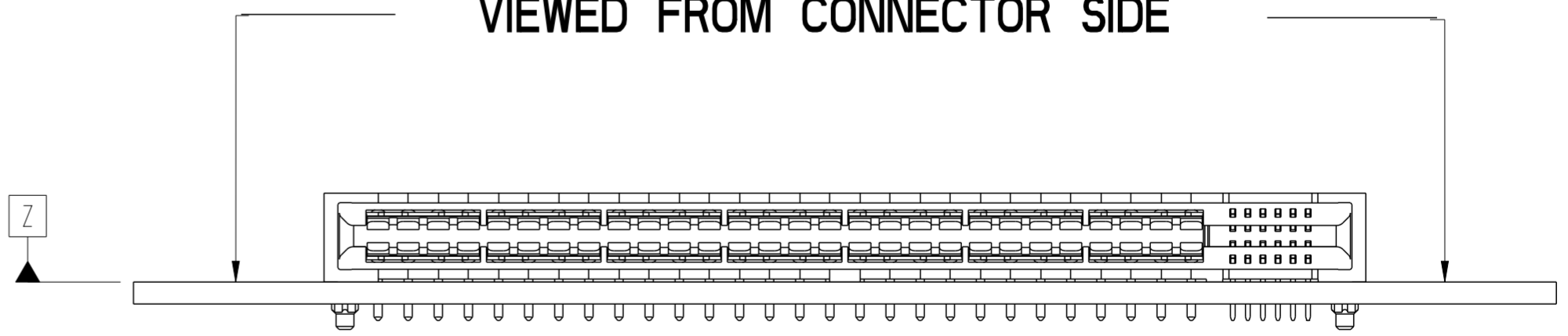
spec ref	-	dr	wcadmin	2009/09/15	projection	MM	size	A2	scale	4:1
tolerance std	ASME Y14.5	eng	Wei-Long Zhang	2011/12/15			ecn no	ELX-DG-008906-1	rel level	Released
surface	linear	chr	Jon Qin	2011/12/16			product family	HPCE		
ASME Y14.5	angular	appr	Pei-Ming Zheng	2011/12/16	www.fci.com	cat. no.	R/A RECT (56P-12S)	10096926	Product - Customer Drw	sheet 1 of 4

Copyright FCI. FCI



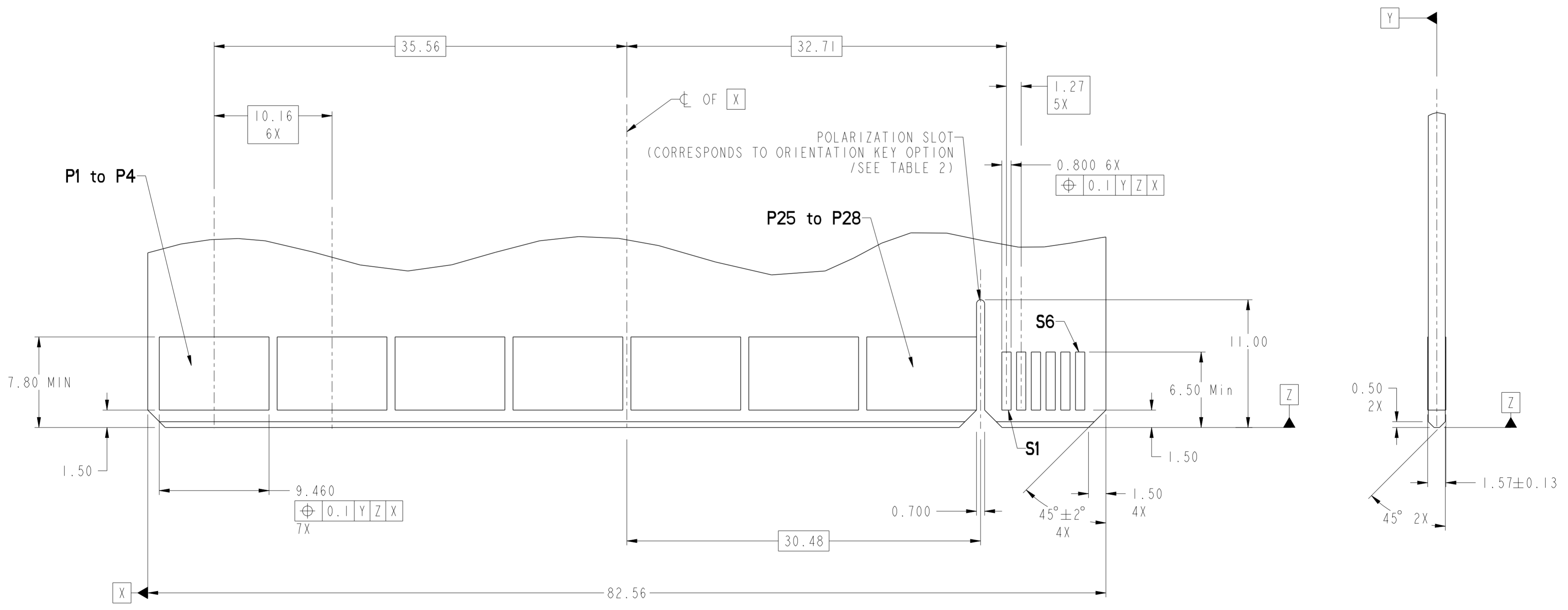
DETAIL K
SCALE 8:1

RECOMMENDED PCB LAYOUT
VIEWED FROM CONNECTOR SIDE



spec ref	-	dr	wcadmin	2009/09/15	projection	MM	size	A2	scale	4:1	
tolerance std	ASME Y14.5	eng	Wei-Long Zhang	2011/12/15			ecn no	ELX-DG-008906-1			
TOLERANCES UNLESS OTHERWISE SPECIFIED		chr	Jon Qin	2011/12/16			rel level	Released			
surface	✓	appr	Fei-Ming Zheng	2011/12/16	product family	HPCE		rel level	Released		
linear	0.X ±			title	R/A RECT (56P-12S)			dwg no	10096926		
linear	0.XX ±	www.fci.com		cat. no.	-			Product - Customer Drw	sheet 2 of 4		
linear	0.XXX ±									rev	D
angular	0° ±										

CONTACT TYPE	TOP LAYER DESCRIPTION	TABLE 1 (HPCE / SOLDER TAILS) PLATED THROUGH-HOLE REQUIREMENTS				
		DRILLED HOLE DIAMETER	COPPER THICKNESS	TIN-LEAD THICKNESS	TIN THICKNESS	FINISHED HOLE DIAMETER
POWER & SIGNAL	TIN-LEAD	1.10-1.16 (1.15 DRILL)	0.025 - 0.050	0.005 - 0.015	--	0.94 - 1.10
	IMMERSION TIN	1.10-1.16 (1.15 DRILL)	0.025 - 0.050	--	0.9 - 1.5um	0.94 - 1.10
	COPPER (SEE NOTE 8)	1.10-1.16 (1.15 DRILL)	0.025 - 0.050	--	--	0.94 - 1.10



RECOMMENDED MATING BOARD FOOTPRINT

spec ref	-	dr	wcadmin	2009/09/15	projection	MM	size	A2	scale	4:1
tolerance std	ASME Y14.5	eng	Wei-Long Zhang	2011/12/15			ecn no	ELX-DG-008906-1	rel level	Released
TOLERANCES UNLESS OTHERWISE SPECIFIED		chr	Jon Qin	2011/12/16						
surface	linear	appr	Pai-Ming Zheng	2011/12/16			title	R/A RECT (56P-12S) HIGH POWER CARD EDGE	dwg no	10096926
ASME Y14.5	angular	www.fci.com		cat. no.	-		Product - Customer Drw	sheet 3 of 4	rev	D

PDS: Rev :D

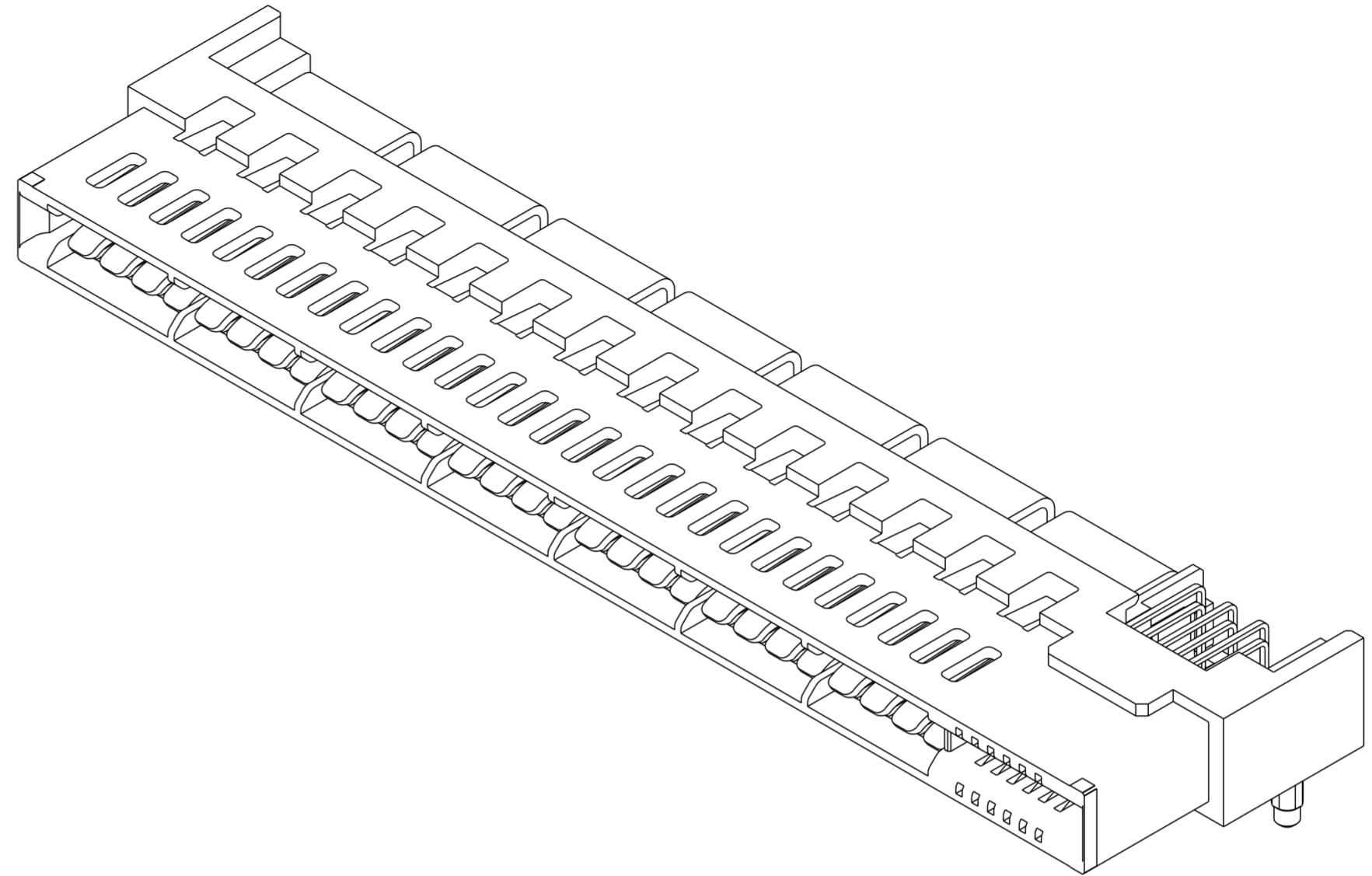
STATUS:Released

Printed: Dec 16, 2011

Copyright FCI. FCI

HPCE PART NUMBER (TABLE 2)

PART NUMBER	TAIL TYPE	HOLD-DOWN OPTION	ORIENTATION KEY	DIM "A" TYPICAL TAIL LENGTH
10096926-001LF	SOLDER TAIL	NO	YES	3.25±0.25
10096926-002LF			NO	
10096926-003LF		YES	YES	
10096926-004LF			NO	
10096926-005LF		NO	YES	4.05±0.25
10096926-006LF			NO	
10096926-007LF		YES	YES	
10096926-008LF			NO	
10096926-009LF		NO	YES	4.85±0.25
10096926-010LF			NO	
10096926-011LF			YES	
10096926-012LF			NO	



NOTES:

- CONNECTOR MATERIALS:
 HOUSING: HIGH TEMPERATURE THERMAL PLASTIC, BLACK
 UL 94V-0 COMPLIANT
 CONTACTS: HIGH PERFORMANCE COPPER ALLOY.
- CONTACT FINISH REF. GS-12-604 SECTION 5.2.
- PRODUCT SPECIFICATION: GS-12-604.
- APPLICATION SPECIFICATION: GS-20-128.
- PRODUCT MARKING (FCI - PART NUMBER & DATE CODE) ON HOUSING IN AREA SHOWN.
- PACKAGING MEETS FCI SPECIFICATION GS-14-937.
- HOUSING COMPONENT WILL WITHSTAND EXPOSURE TO 260°C PEAK TEMPERATURE FOR 60 SECONDS IN A CONVECTION, INFRA-RED, OR VAPOR PHASE REFLOW OVEN.
- COPPER PLATING THICKNESS IN CENTER OF VIA-HOLE CAN BE NO MORE THAN 0.003 LESS THAN OTHER AREAS.
- ALL HOLE SIZES ARE FINISHED HOLE SIZES.
- MOUNTING HOLES ARE UNPLATED
 $\varnothing 2.10 \pm 0.1$ FOR SOLDER TAILS

spec ref	-	dr	wcadmin	2009/09/15	projection	MM	size	A2	scale	4:1	
tolerance std	ASME Y14.5	eng	Wei-Long Zhang	2011/12/15			ecn no	ELX-DG-008906-1			
TOLERANCES UNLESS OTHERWISE SPECIFIED		chr	Jon Qin	2011/12/16			product family	HPCE	rel level	Released	
surface	linear	appr	Pei-Ming Zheng	2011/12/16			title	R/A RECT (56P-12S)		rev	D
ASME Y14.5	angular	www.fci.com		cat. no.	-		Product - Customer Drw	sheet 4 of 4			