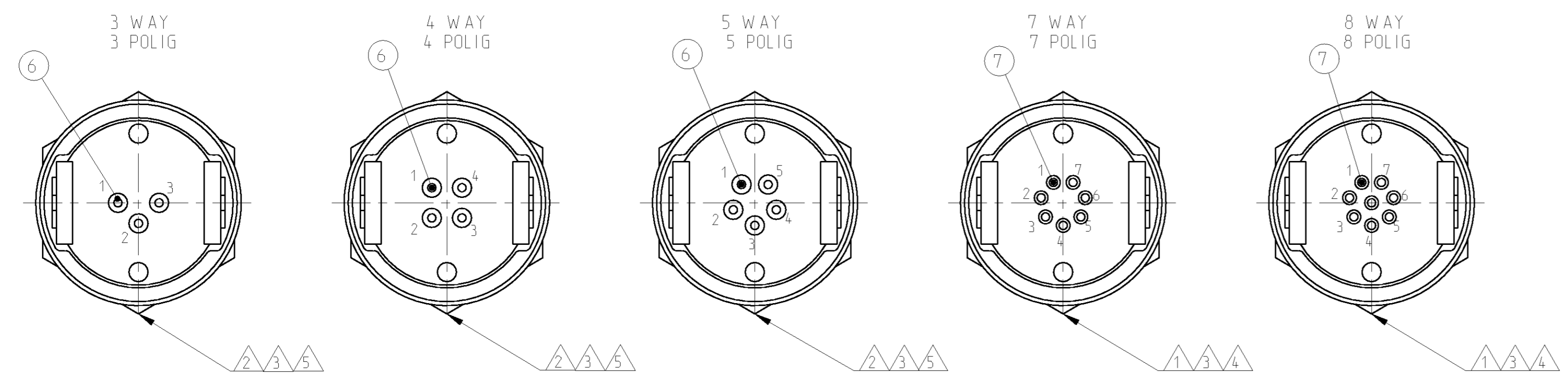
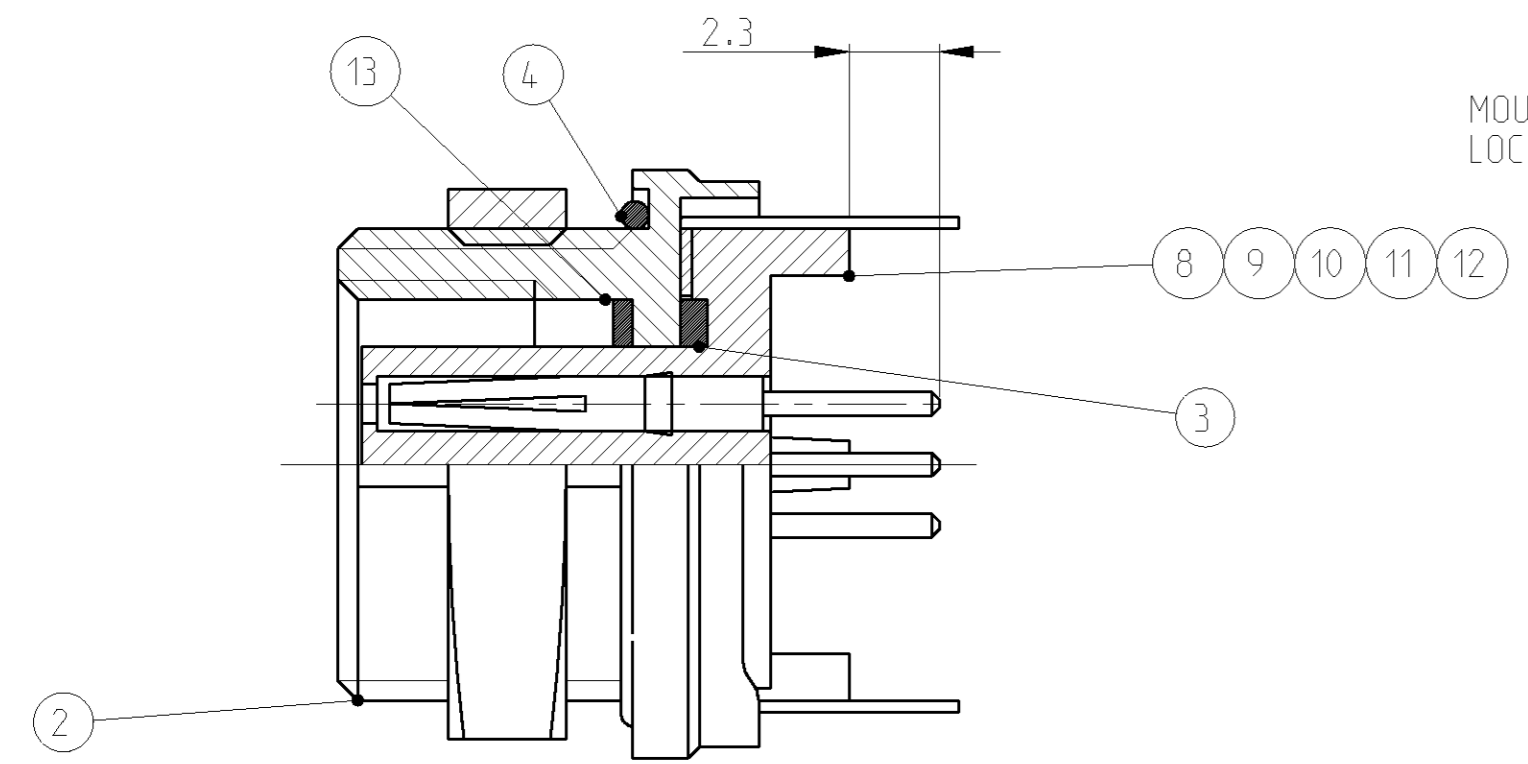
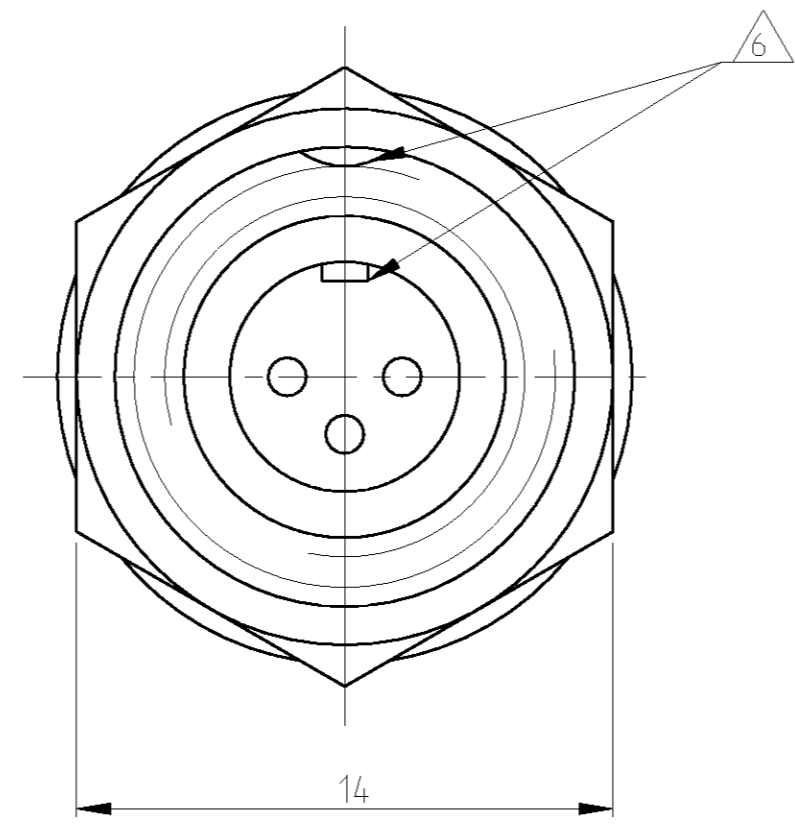
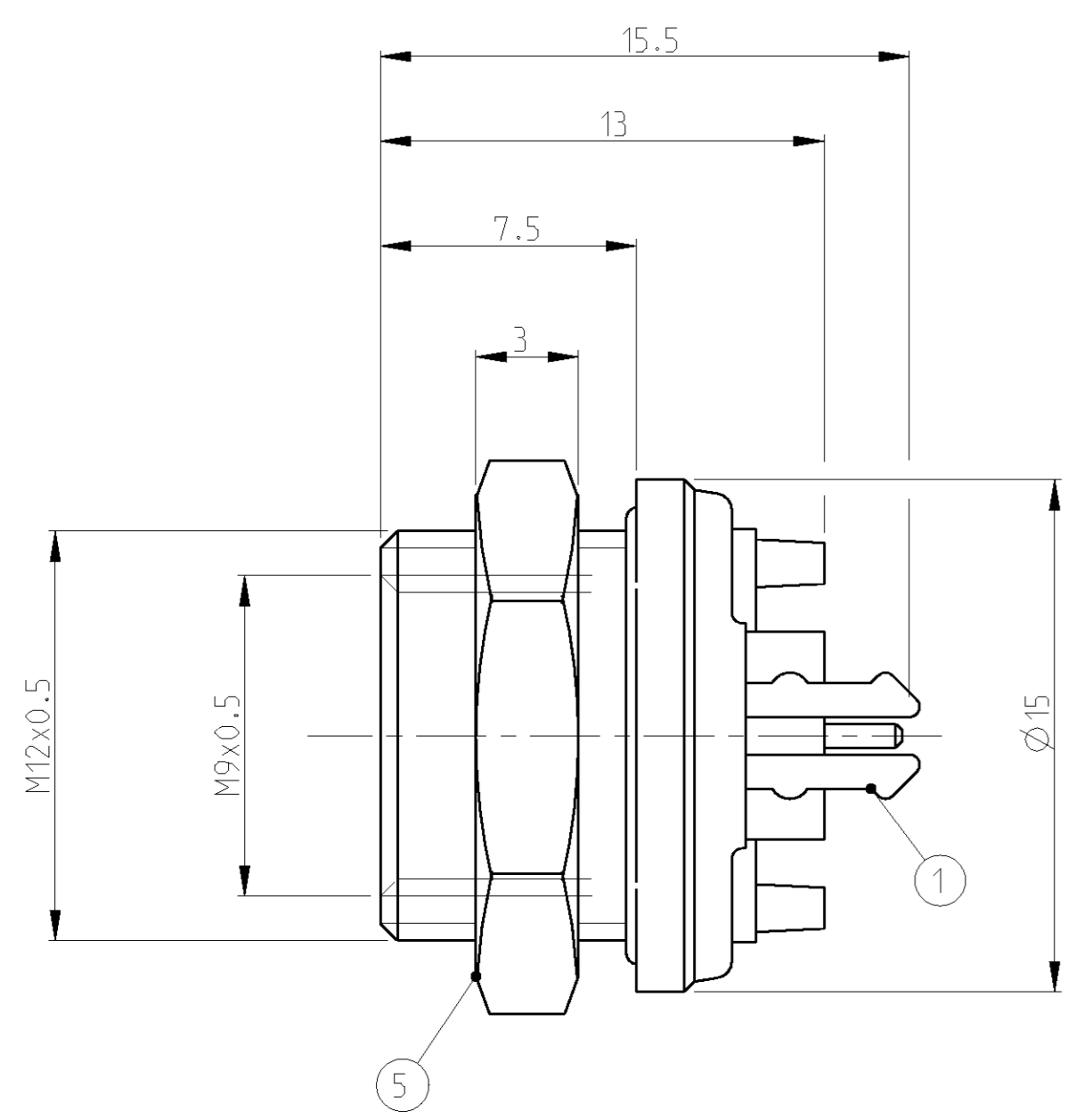
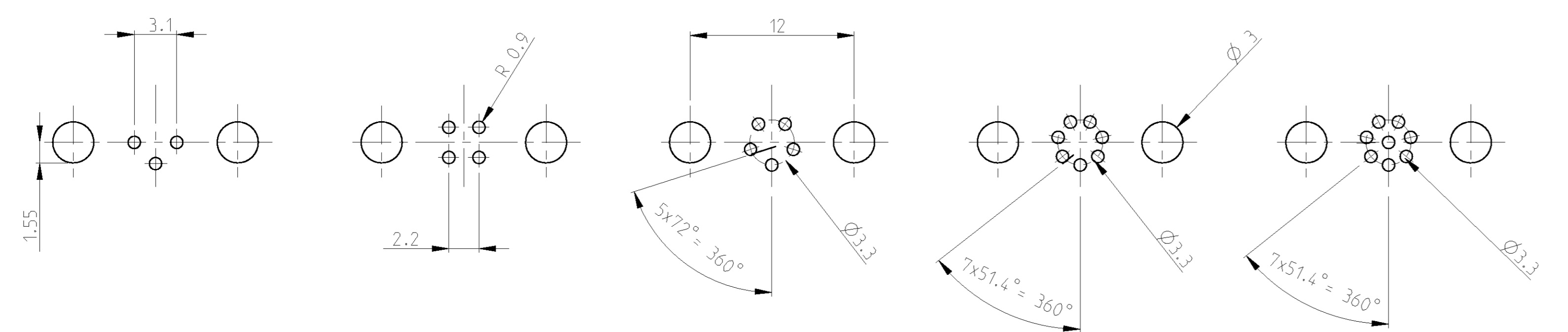


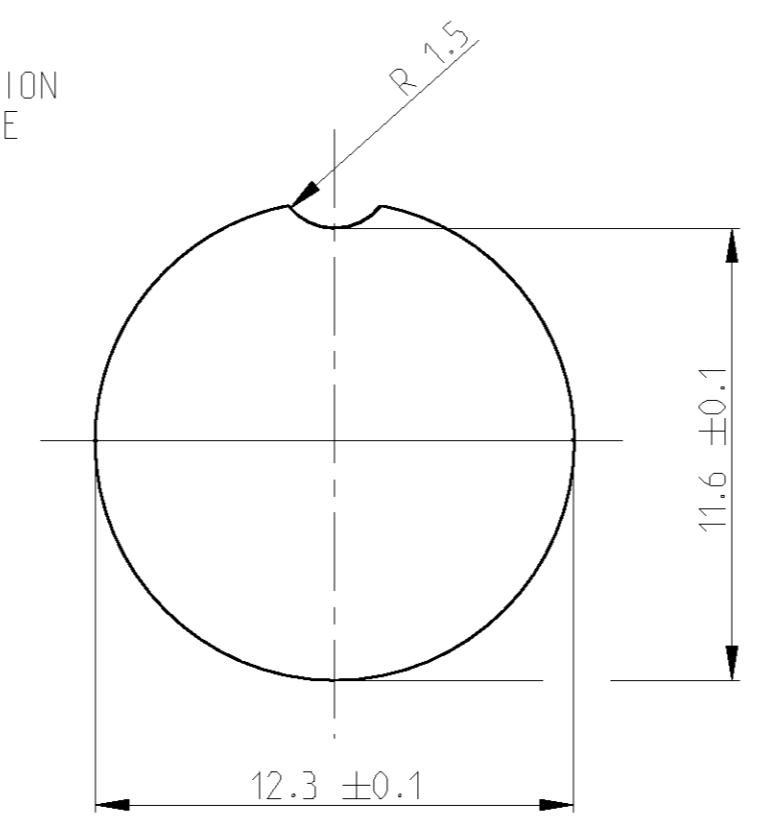
LOC	DIST	P	LTR	REVISIONS	DATE	DWN	APPR
				DESCRIPTION			
A1	-			EG00-0576-01	18JUN2001	NG	GF



PCB HOLES
 PCB THICKNESS 1.6 mm MAX.
 PCB LOCHBILD
 PCB DICKE 1.6 mm MAX.



MOUNTING HOLE DIMENSION
 LOCHBILD FUER MONTAGE



MATERIAL / MATERIAL: PBT, UL-94 V2	⚠
SHELL MATERIAL / GEHAUEMATERIAL: CUZN	
FINISH / BESCHICHTUNG: TRIBOR 4 µm	
CODING / KODIERUNG	⚠
WIRE GAGE / DRAHTGROESSE IN mm ² : 0.25	⚠
WIRE GAGE / DRAHTGROESSE IN mm ² : 0.14	⚠
CONTACT RESISTANCE / KONTAKTWIDERSTAND: => 5 mΩ	⚠
RATED CURRENT PER CONTACT / NENNSTROM PRO KONTAKT: 3 A	⚠
RATED CURRENT PER CONTACT / NENNSTROM PRO KONTAKT: 1 A	⚠
SHELL PROTECTION CLASS / SCHUTZKLASSE: IP 65 / DIN 40050	
TERMINATION: SOLDERING / VERBINDUNG: LOETKONTAKTE	
TEST VOLTAGE / PRUEFSPANNUNG: 500 VAC	
OPERATING VOLTAGE / BETRIEBSSPANNUNG: 60 VAC	
OPERATING TEMPERATURE: -40°C TO +80°C / ARBEITSTEMPERATUR: -40°C BIS +80°C	
MATING CYCLES / STECKZYKLEN: 500 MAX.	
TECHNICAL DATA TECHNISCHE DATEN	

TYCO-NO. / TYCO NR.			
7-1437719-8	7-1437719-5	7-1437719-2	6-1437719-9
1	1	1	1
1			
	1		
		1	
8	7		
		5	4
1	1	1	1
1	1	1	1
1	1	1	1
1	1	1	1
1	1	1	1
-	-	-	-
QTY REQD PER ASSY			
CATALOG-NO.		DESCRIPTION / BESCHREIBUNG	
CATALOG-NO.		PARTS LIST / TEILE LISTE	
CATALOG-NO.		ITEM-NO. TEIL-NR.	
REVISION OF EACH ASSY NO. (WHEN BLANK, USE DWG REV.)			
CATALOG-NO.		ITEM-NO.	

THIS DRAWING IS CONTROLLED THROUGH THE PRODUCT DEVELOPMENT PHASES OF CONCEPT, DESIGN, PRODUCTION AND SERVICE. ANY CHANGES TO THIS DRAWING MUST BE APPROVED BY THE APPROPRIATE AUTHORITY AND MUST BE RECORDED IN THE DRAWING CHANGE RECORD.		DWN H. GEISLER 18JUN2001	tyco Electronics AMP GmbH D - 64625 Bensheim
DIMENSIONS MASSENMEN (mm)		DATE 18JUN2001	NAME T01 FEMALE PLUG CONN. PANEL MNT. PCB VER. 3-8 POS. 180 DGR. T01 BUCHSENSTECKER.EINBAU.PCB VER. 3-8 POL. 180 GRAD
TOLERANCES UNLESS OTHERWISE SPECIFIED: ALLE DIMENSIONEN UNLESS ANDERSONS ANGEWENDET		APVD H. SCHERER 18JUN2001	SCALE 1:1
0 PLC ±0.3 1 PLC ±0.25 2 PLC ±0.2 3 PLC ±0.15 4 PLC ±0.1 FINISHES UNLESS OTHERWISE SPECIFIED:		PRODUCT SPEC VERARBEITUNGSSPEZ.	SHEET 1 OF 1
MATERIAL: -		WEIGHT BEWICHT: -	REV A1
CUSTOMER DRAWING		DRAWING NO. 6-1437719-6	RESTRICTED TO MR PIER

6-1437719-6 AS SHOWN
 WIE GEZEICHNET