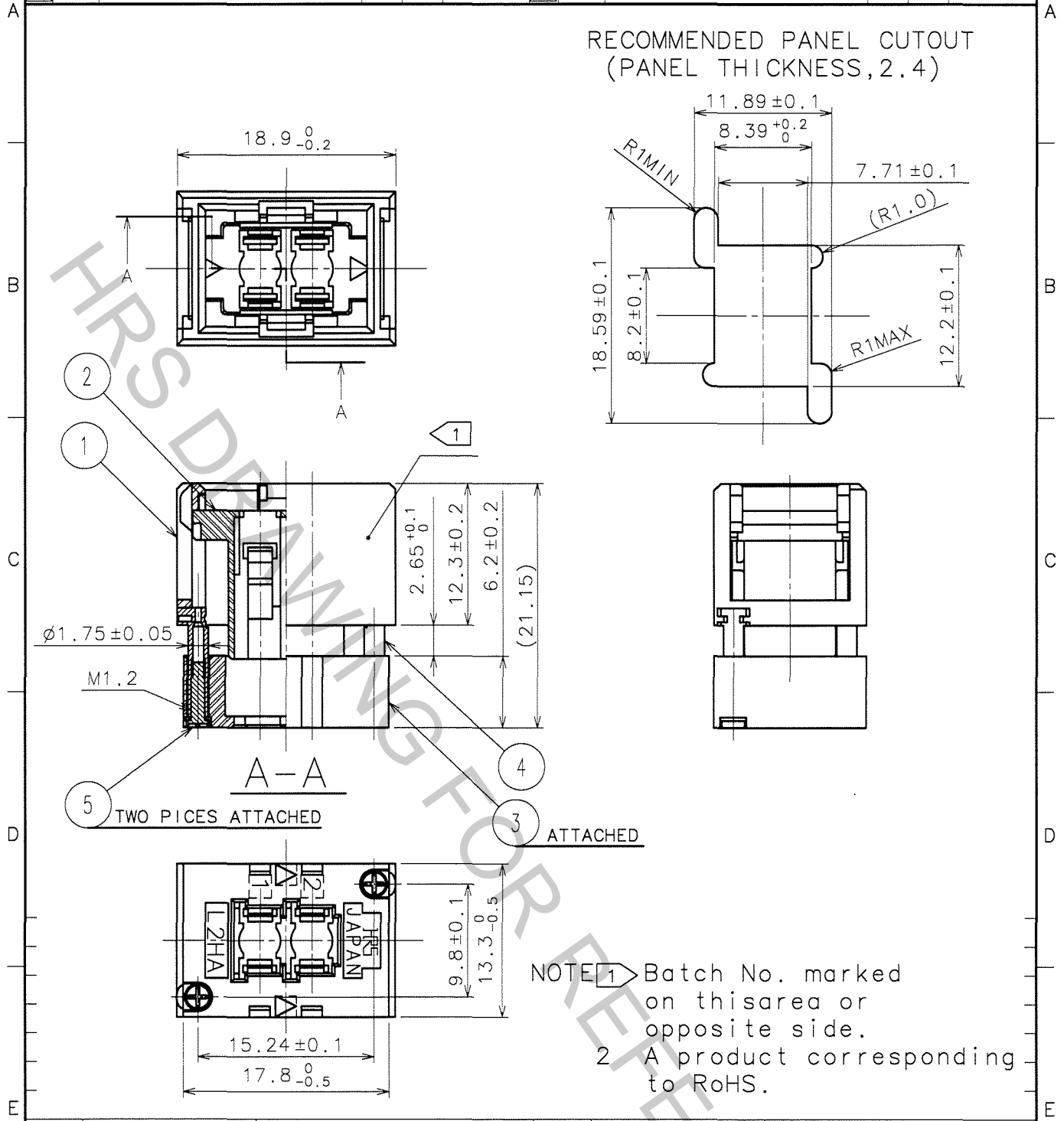


1					2					3					4				
COUNT	DESCRIPTION OF REVISIONS				BY	CHKD	DATE	COUNT	DESCRIPTION OF REVISIONS				BY	CHKD	DATE				
△								△											
△								△											
△								△											



NO.	MATERIAL	FINISH, REMARKS	NO.	MATERIAL	FINISH, REMARKS
3	SYNTHETIC RESIN		5	STAINLESS STEEL AND COPPER ALLOY	NICKEL PLATING(COPPER ALLOY)
2	SYNTHETIC RESIN		4	COPPER ALLOY	NICKEL PLATING
1	SYNTHETIC RESIN				

CODE NO. (OLD)	DRAWN	DESIGNED	CHECKED	APPROVED	RELEASED
	S. TOYOKAWA	M. INOUE	Y. Hiyama	H. Okano	
	08. 2. 19	08. 2. 19	08. 2. 19	08. 2. 20	

SACLE 2 : 1 UNITS mm	DRAWING NO. EDC4-046463-40	PART NO. HMUB-L2HA-1(40)
	HRS HIROSE ELECTRIC CO., LTD.	CODE NO. CL710-0017-8-40

TO